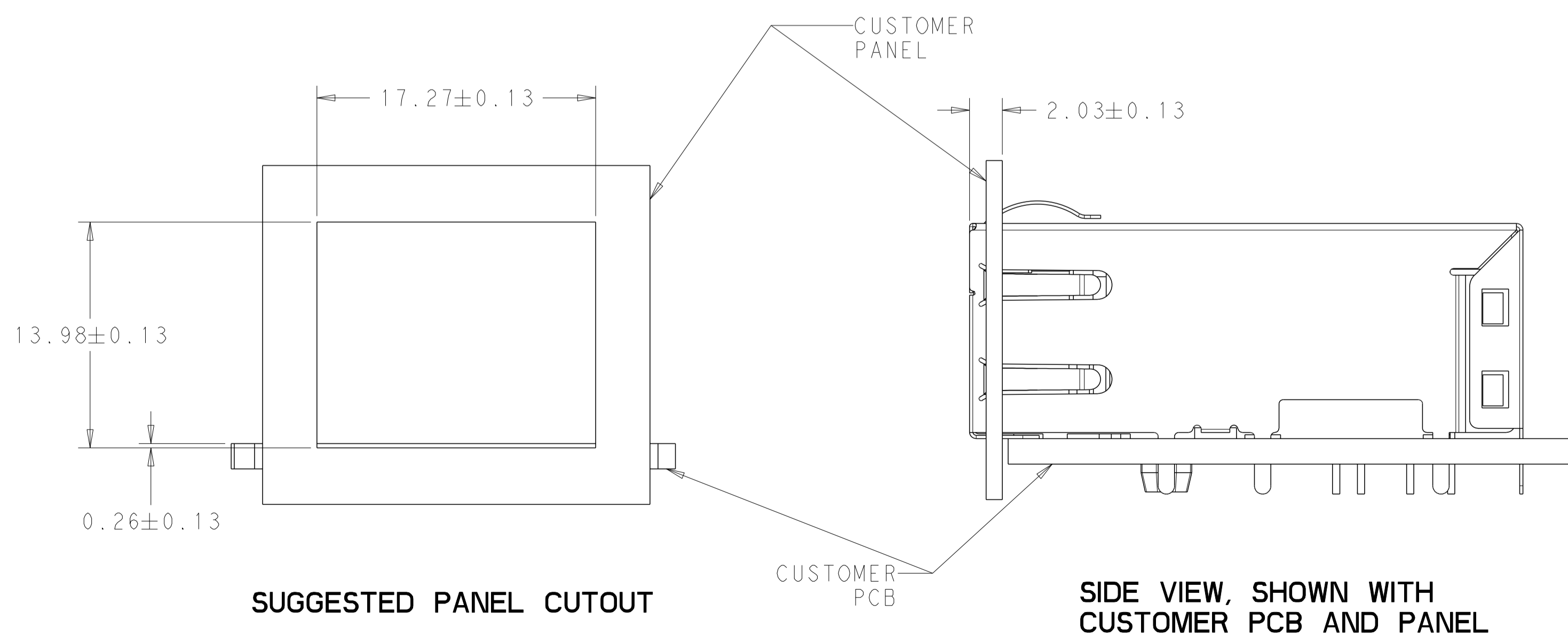
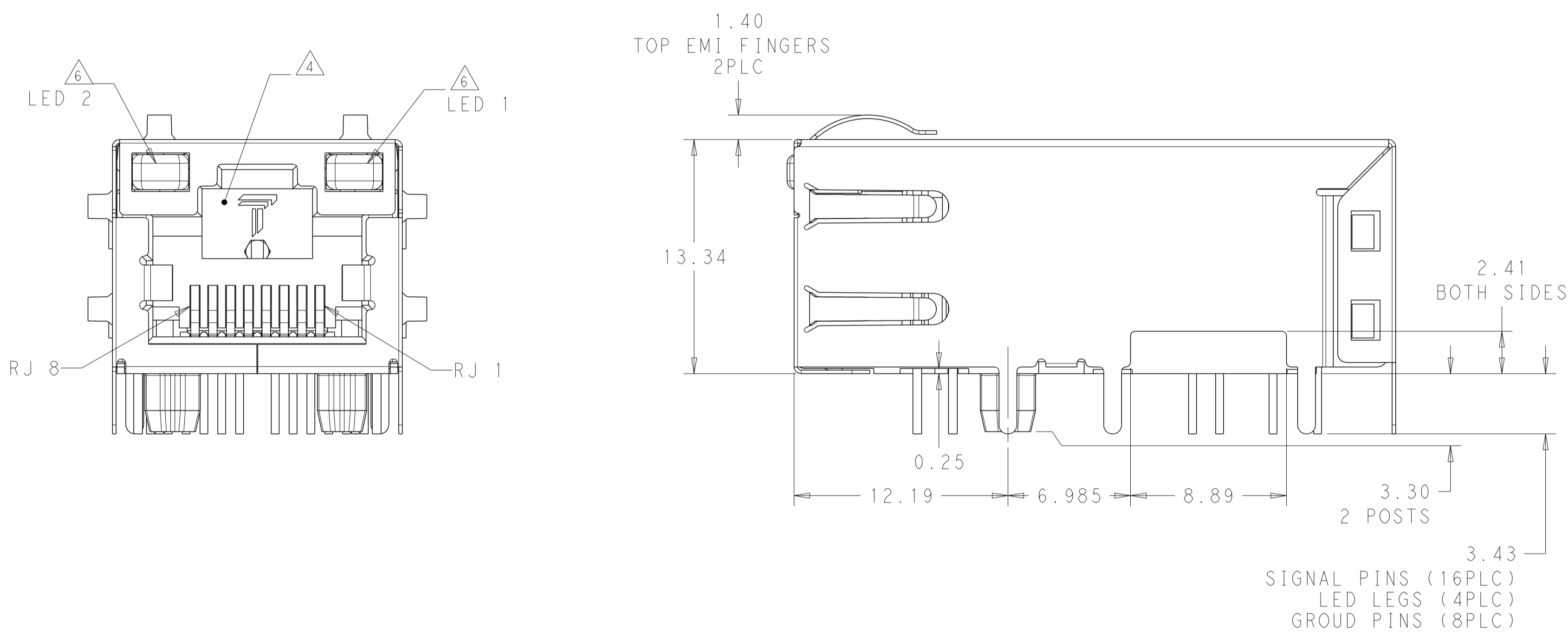
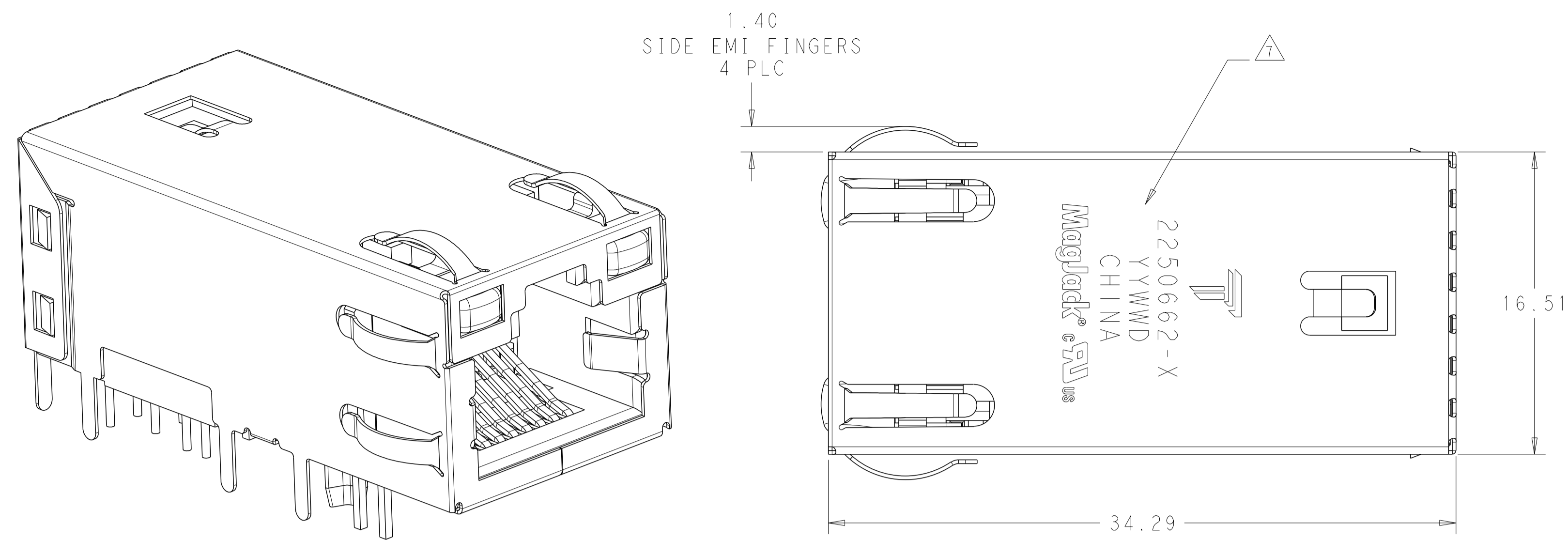


THIS DRAWING AND THE SUBJECT MATTER SHOWN THEREON ARE CONFIDENTIAL AND THE PROPERTY OF BEL/STEWART/TRP CONNECTOR AND SHALL NOT BE REPRODUCED, COPIED, OR USED IN ANY MANNER WITHOUT THE WRITTEN CONSENT OF TRP CONNECTOR.

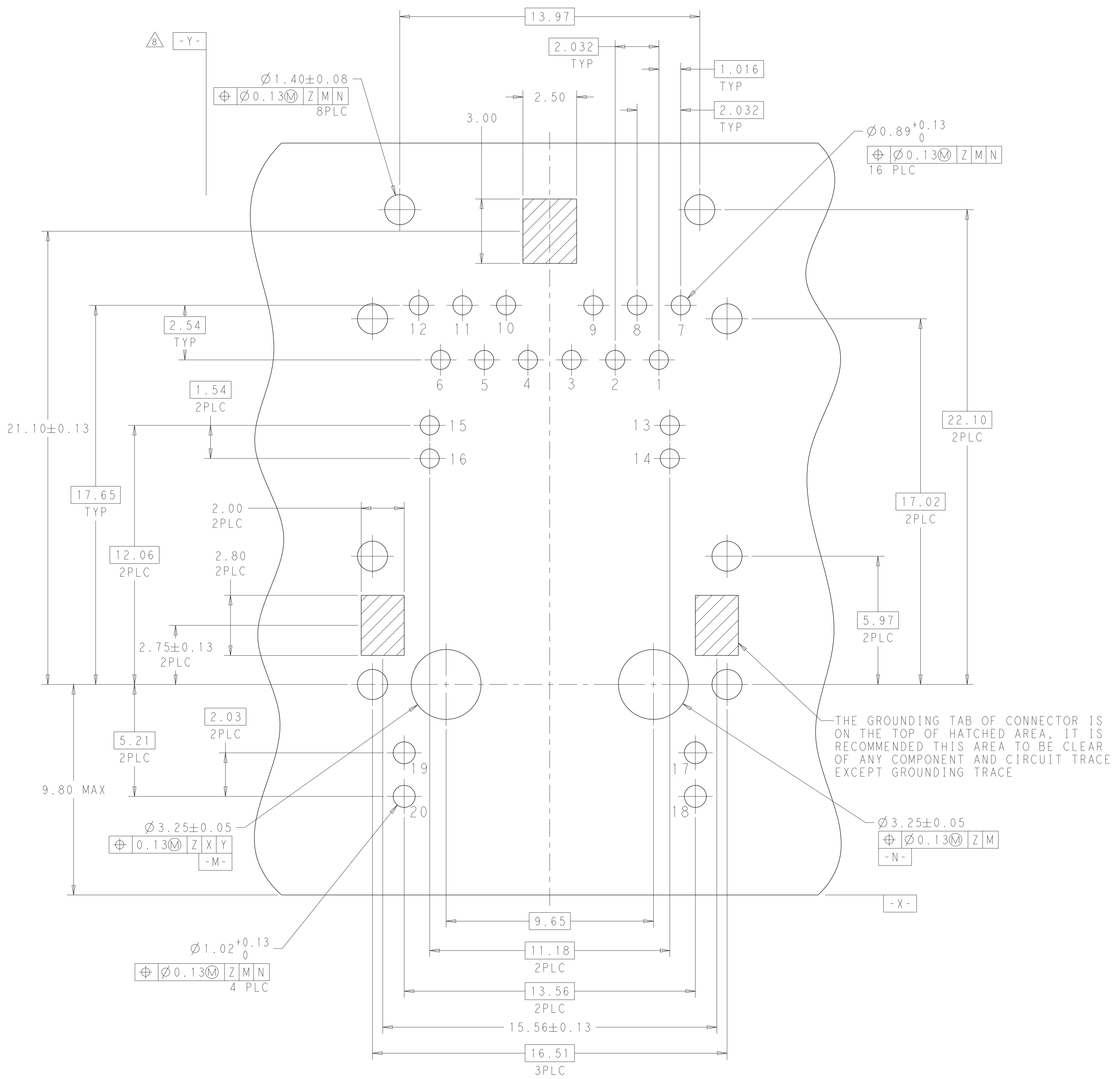
PRODUCT MAY BE PROTECTED BY ONE OR MORE OF THE FOLLOWING US PATENTS:
 5736910 5939955 6425781 6428361 6554638 6840817 7123117
 7429195 7717749 7808751 6217391 6149050 7924130

REVISIONS				
#	LTN	DESCRIPTION	DATE	APPD
3		SEE LAST SHEET	15AUG2022	TRY TY



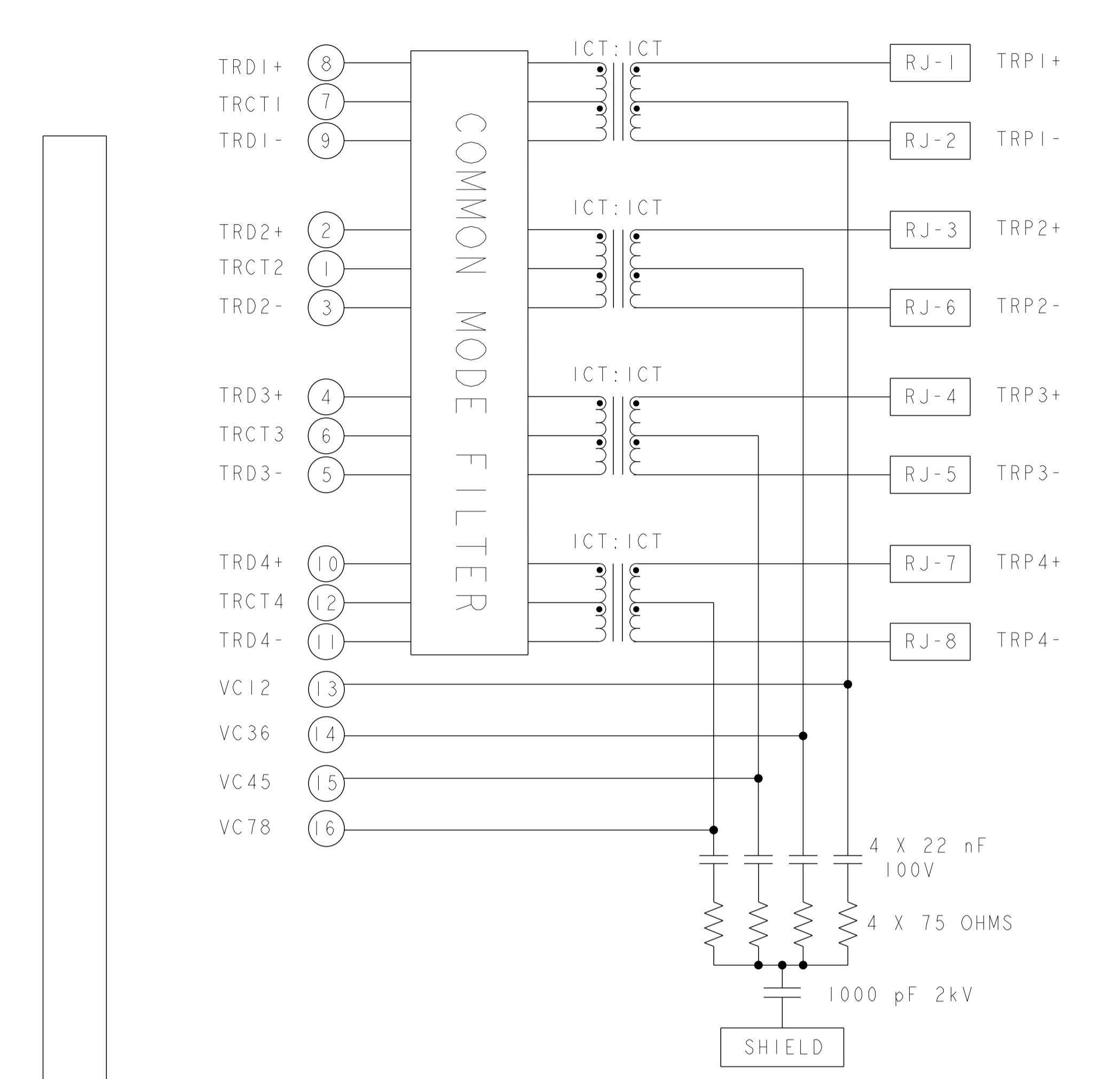
- MATERIALS:
 - HOUSING: THERMOPLASTIC, FLAMMABILITY, RATING UL 94V-0.
 - SHIELD: 0.20mm THICK, COPPER BASE ALLOY PREPLATED WITH 0.76um MIN BRIGHT NICKEL; ALL GROUND LEADS ARE SOLDER DIPPED.
 - MOD JACK CONTACTS: 0.3mm THICK, PHOSPHOR BRONZE, 1.27um MIN OVERALL NICKEL UNDERPLATE, WITH 1.27um MIN LOCALIZED GOLD PLATE AT CONTACT INTERFACE.
 - LIGHT EMITTING DIODE (LED): DIFFUSED EPOXY LENS, 0.5mm X 0.5mm CARBON STEEL WIREFRAME LEADS PREPLATED WITH 2.03um MIN. SILVER PLATE OVER 1.02um MIN. NICKEL OVER 1.02um MIN. COPPER UNDERPLATE; LEADS POST-PLATED WITH 2.54um MIN. MATTE TIN, AND TIP TIN DIPPING.
- MAGNETICS:
 - APPLICATION: 1G/ 10G BASE-T, 4PPoE, EXTENDED TEMPERATURE
 - IMPEDANCE: 100 OHMS
 - TURNS RATIO (CHIP:CABLE): 1:1 ALL FOUR PAIRS
 - OPEN CIRCUIT INDUCTANCE (OCL): 160uH MIN @ 100kHz, 0.1VRMS FROM -40°C TO 85°C, ALL FOUR PAIRS, 120uH MIN @ 100kHz, 0.1VRMS, 19mA DC BIAS FROM -40°C TO 85°C, ALL FOUR PAIRS
 - ALL FOUR PAIRS BI-DIRECTIONAL
 - PoE CURRENT: 600mA DC MAX
 - ISOLATION VOLTAGE: 2250VDC FOR 60 SECONDS WITH A RISE TIME OF 500V/SEC.
- OPERATING TEMPERATURE: FROM -40°C TO 85°C
- RJ45 JACK CAVITY CONFORMS TO FCC RULES AND REGULATIONS PART 68, SUB-PART F.
- ALL DIMENSIONS ARE NOMINAL UNLESS OTHERWISE NOTED.
- LED IS DRIVEN WITH CONSTANT CURRENT AT APPROX 20mA.
 LED COLOR: DOMINANT WAVELENGTH (λD): GREEN 568 nm TYP. @ IF=20mA
 FORWARD VOLTAGE (VF): GREEN 2.2V TYP. @ IF=20mA
 DOMINANT WAVELENGTH (λD): YELLOW 588 nm TYP. @ IF=20mA
 FORWARD VOLTAGE (VF): YELLOW 2.1V TYP. @ IF=20mA
- TRP CONNECTOR LOGO, PART NUMBER, DATE CODE, COUNTRY OF ORIGIN, AND AGENCY APPROVAL MARKING IN APPROXIMATE LOCATION SHOWN, DATE CODE: YYWWD WHERE YY IS YEAR, WW IS WORK WEEK, D IS DAY OF WEEK, WITH SUNDAY=1.
- DATUM Y AND BASIC DIMENSION ESTABLISH BY CUSTOMER.
- PART SHOULD BE RECOMMENDED FOR WAVE SOLDERING PROCESS, PREHEAT TEMPERATURE IS 120°C TO 160°C, 120 SECONDS TO 180 SECONDS, PEAK WAVE SOLDERING TEMPERATURE IS 260°C MAX, 10 SECONDS MAX.

GREEN	YELLOW	GREEN	YELLOW	2250662-1
20-19	19-20	18-17	17-18	PART NUMBER
LED 2		LED 1		
THIS DRAWING IS A CONTROLLED DOCUMENT. AND COMPLIANT TO ASME Y14.5M DIMENSIONS: mm TOLERANCES UNLESS OTHERWISE SPECIFIED: 0 PLC ±0.25 1 PLC ±0.25 2 PLC ±0.25 3 PLC ±0.25 4 PLC ±0.25 ANGLES ±° PRODUCT SPEC 108-104004 APPLICATION SPEC -				
DWG: TOWER YU / XYWYI WANG CHK: BILL LIU APPD: TONY YUAN 080CT2019		080CT2019 080CT2019 MODEL NAME: MAGJACK SINGLE 4PPoE DESC: 1X1 7HTG05ET 10G 4PPoE TAB UP, W/ LEDS SIZE: A1 CAGE CODE: - DRAWING NO: C=2250662 RESTRICTED TO: - CUSTOMER DRAWING SCALE: 5:1 SHEET 1 OF 3 REV 3		




RECOMMENDED PCB FOOTPRINT SHOWN FROM CONNECTOR SIDE

7HTG05ET 10 GIGABIT 4PPOE CIRCUIT



THIS DRAWING IS A CONTROLLED DOCUMENT. AND COMPLIANT TO ASME Y14.5M		DWG: TOWER YU / XINIA WANG 080CT2019 CHW: BILL LIU 080CT2019 APVD: TONY YUAN 080CT2019	DONGGUAN CHINA
DIMENSIONS: mm 	TOLERANCES UNLESS OTHERWISE SPECIFIED: 0 PLC ±0.25 1 PLC ±0.25 2 PLC ±0.25 3 PLC ±0.25 4 PLC ±0.25 ANGLES ±° APPLICATION SPEC	MODEL NAME: MAGJACK DESC: 1X1 7HTG05ET 10G 4PPOE TAB UP, W/ LEDS SIZE: A1 CAGE CODE: C=2250662 DRAWING NO: 108-104004	
PRODUCT SPEC: 108-104004		CUSTOMER DRAWING	

2250662					STOCK DISPOSITION			
-					A:CONTINUE AS IS B:REWORK C:SCRAP		D:USE OLD FIRST E:PARTS TO CONFORM F:OTHER	
REVISION HISTORY								
DATE	REV	CHANGE	REASON	APPROVAL	INVENTORY (A,B,C,D,E,F)	WORK IN PROCESS (A,B,C,D)	SUPPLIER ORDERS (A,E,F)	OPEN CUST ORDERS (A,E,F)
08OCT2019	1	-	INITIAL RELEASE	TONY YUAN	-	-	-	-
03MAR2020	2	NOTE AND TITLE BLOCK: CHANGE PART TO EXTENDED TEMPERATURE	MARKET REQUEST	TONY YUAN	-	-	-	-
15AUG2022	3	SHEET 2, B1-D3: CHANGE CHANNEL B AND D DESIGNATION IN CIRCUIT	MARKET REQUEST	TONY YUAN	-	-	-	-

THIS DRAWING IS A CONTROLLED DOCUMENT. AND COMPLIANT TO ASME Y14.5M		OWN TOWER YU / XINYI WANG 08OCT2019	 trp CONNECTOR DONGGUAN CHINA
DIMENSIONS: mm		CHK BILL LIU 08OCT2019	
TOLERANCES UNLESS OTHERWISE SPECIFIED: 0 PLC ±0.25 1 PLC ±0.25 2 PLC ±0.25 3 PLC ±0.25 4 PLC ± ANGLES ±°		APVD TONY YUAN 08OCT2019	MODEL NAME MAGJACK
PRODUCT SPEC 108-104004		APPLICATION SPEC -	DESC IXI 7HTG05ET 10G 4PPoE TAB UP, W/ LEDS
			SIZE A1
			CAGE CODE C=2250662
			RESTRICTED TO -
			CUSTOMER DRAWING
			SCALE 5:1
			SHEET 3
			OF 3
			REV 3