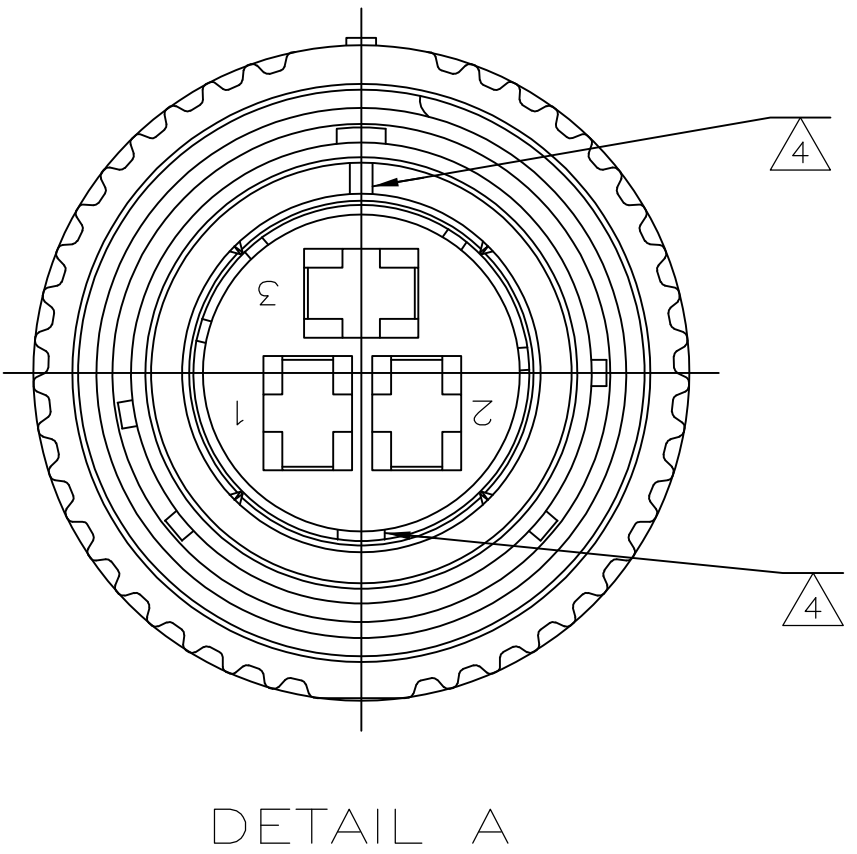
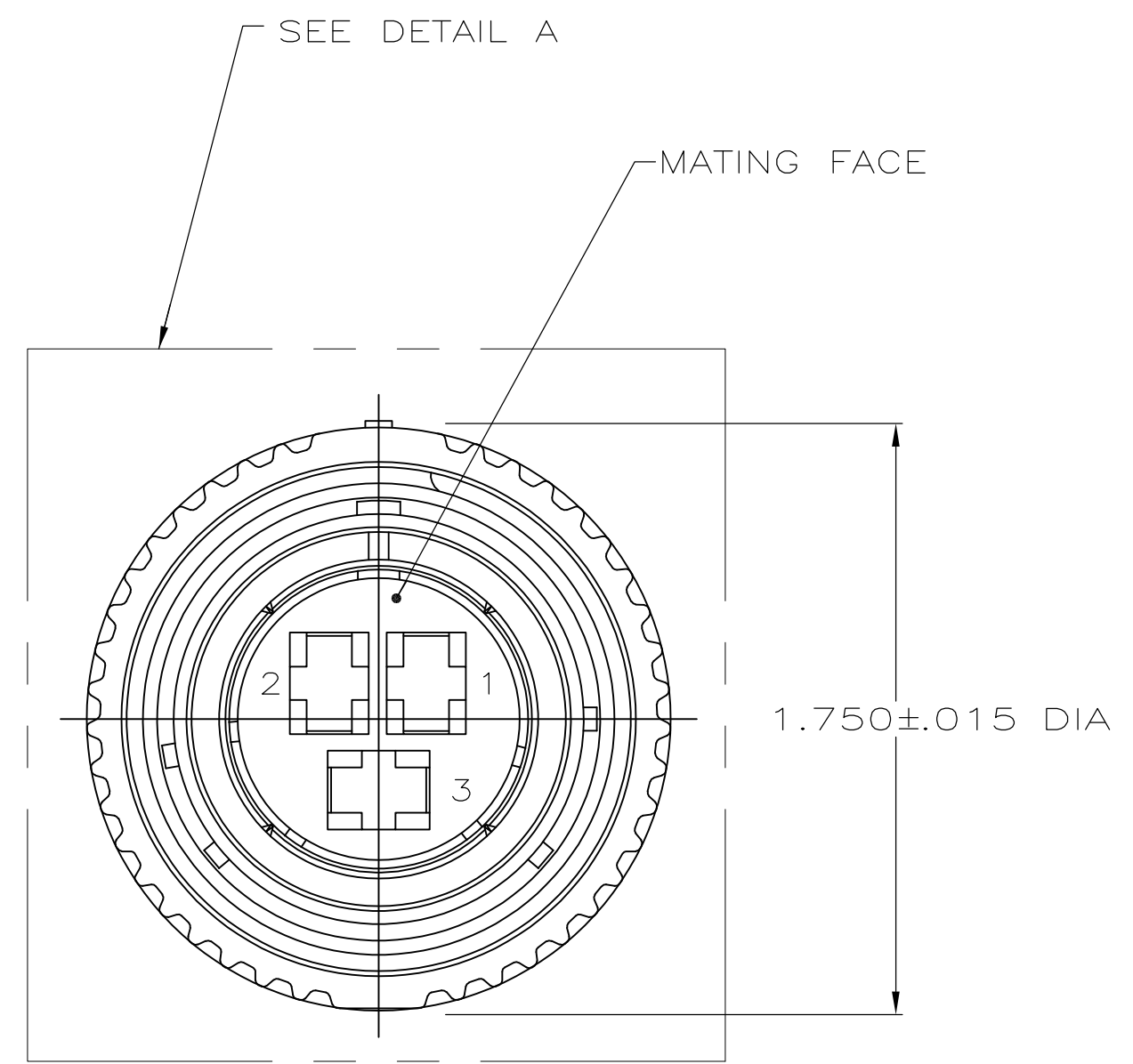
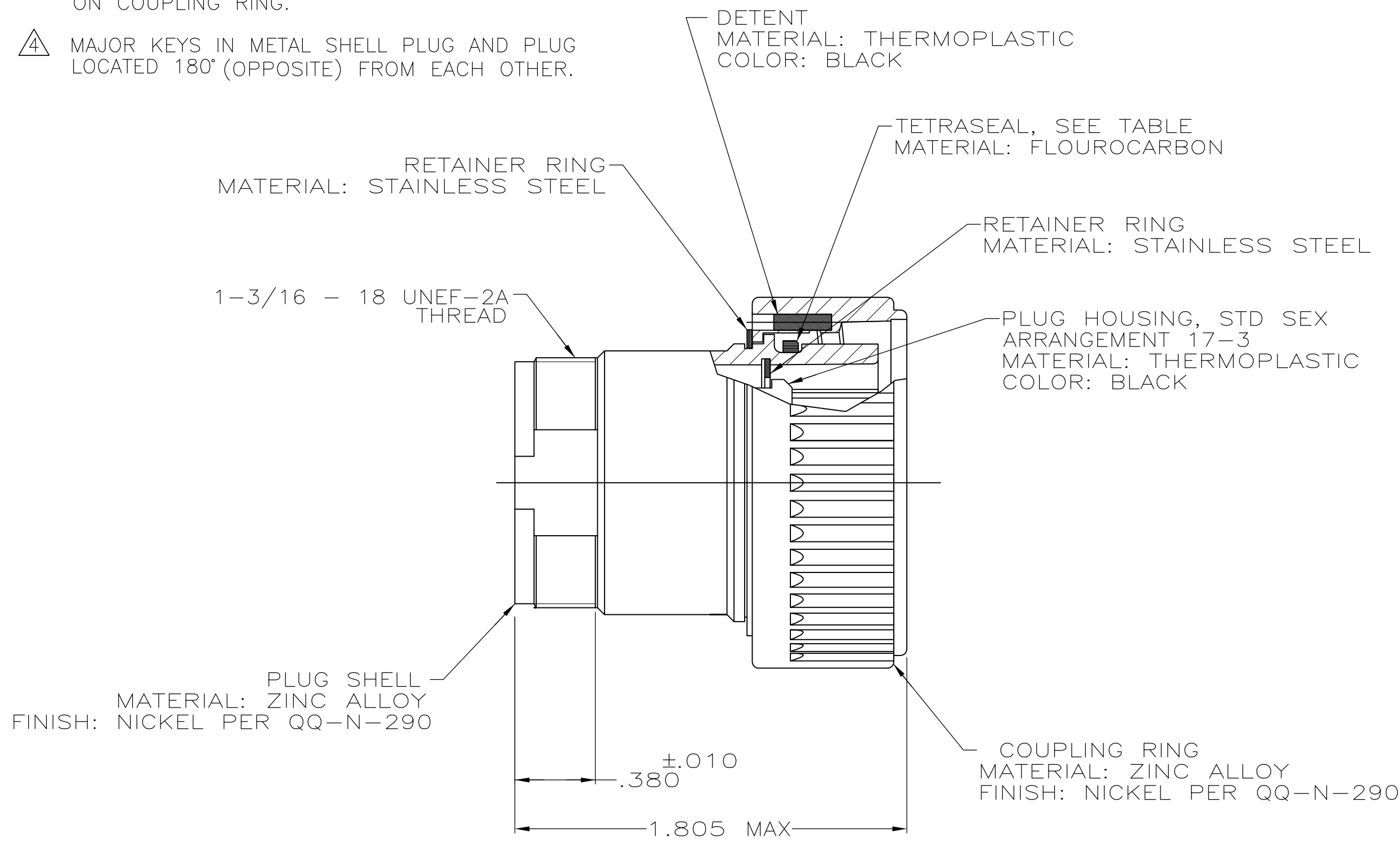


THIS DRAWING IS UNPUBLISHED. RELEASED FOR PUBLICATION  
 © COPYRIGHT - By - ALL RIGHTS RESERVED.

LOC	DIST	REVISIONS			
P	LTR	DESCRIPTION	DATE	DWN	APVD
BD	35	M1	REVISED PER ECO-11-004917	11MAR11	RK HMR

1. PLUG MATES WITH RECEPTACLE 208495.
2. THIS PLUG ACCEPTS THREE (3) TYPE XII FEMALE CONTACTS. MAXIMUM WIRE INSULATION DIAMETER = .220.
3. AMP PART NUMBER AND DATE CODE TO BE LOCATED ON COUPLING RING.
4. MAJOR KEYS IN METAL SHELL PLUG AND PLUG LOCATED 180° (OPPOSITE) FROM EACH OTHER.



OBSOLETE	DETAIL A	NO	208494-4
	AS SHOWN	YES	208494-3
	AS SHOWN	NO	208494-1
	KEYING	TETRASEAL	PART NUMBER

THIS DRAWING IS A CONTROLLED DOCUMENT.		DWN H MOLL 7-2-92	<b>TE</b> TE Connectivity	
DIMENSIONS: INCHES		CHK R.STONE 12-29-92		
TOLERANCES UNLESS OTHERWISE SPECIFIED:		APVD K.BEAVER 12-29-92	NAME	
0 PLC ± -		PRODUCT SPEC	PLUG ASSEMBLY, STANDARD SEX, SERIES 3, 22-3, CMC	
1 PLC ± -		APPLICATION SPEC	SIZE CAGE CODE DRAWING NO RESTRICTED TO	
2 PLC ± -		108-10040	A2 00779 C=208494	
3 PLC ± -			SCALE 2:1 SHEET 1 of 1 REV M1	
4 PLC ± -				
ANGLES ± -				
FINISH		WEIGHT -		
SEE CALLOUT		SEE CALLOUT	CUSTOMER DRAWING	