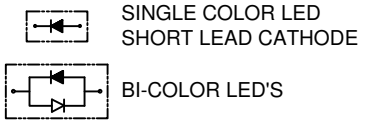
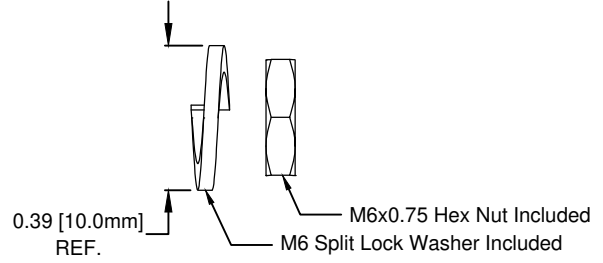
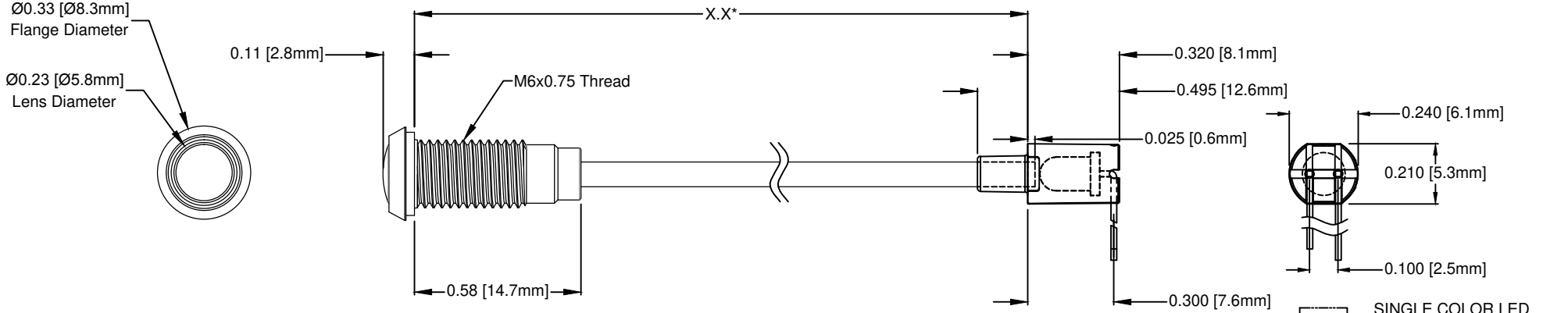
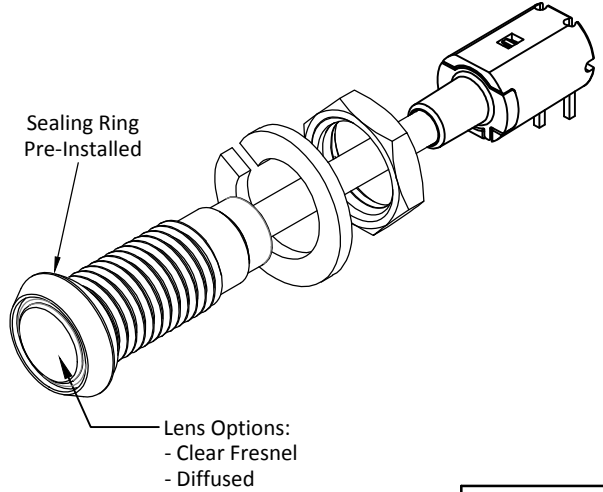


| REV. | DESCRIPTION         | DATE     | APPROVED |
|------|---------------------|----------|----------|
| A    | Engineering Release | 05/12/17 | J. C.    |
| B    | Updated LED Tables  | 08/14/18 | M. C.    |
|      |                     |          |          |
|      |                     |          |          |

| *Length "X.X"  | Tolerance |
|----------------|-----------|
| 2.0" ~ 16.0"   | ±0.05"    |
| 16.1" ~ 40.0"  | ±0.15"    |
| 40.1" ~ 80.0"  | ±0.30"    |
| 80.1" ~ 500.0" | ±0.5%     |

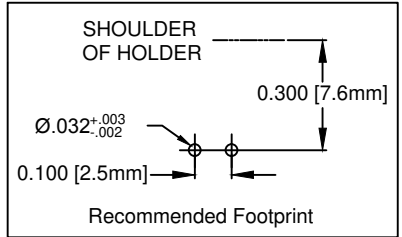
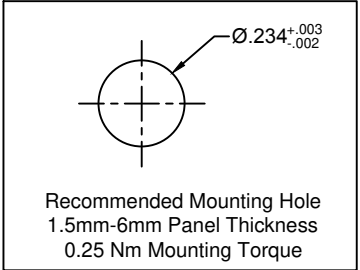


| SHORT LEAD CATHODE | LED PART NO. | LONG LEAD CATHODE |
|--------------------|--------------|-------------------|
| RED                | 3SBCC-F      | GREEN             |



Part Number Configuration  
FR2-6.5-UR-F6PX67PR

- Length in 0.1" Increments Only
- LED Color, See Page 2
- D - Diffused
- Z - Clear Fresnel
- Lens Options:



- NOTES:
1. SEALED TO IP67 RATING
  2. ROHS COMPLIANT
  3. MOUNTING HARDWARE AND ADAPTER SHIPPED NON-ASSEMBLED
  4. MINIMUM BEND RADIUS OF FLEXIBLE LIGHT PIPE: .087" [22mm]

| STANDARD TOLERANCE (UNLESS OTHERWISE SPECIFIED) |                | BIVAR®   |                |
|---|----------------|--|----------------|
| DECIMALS  | ANGULAR        | 4 THOMAS, IRVINE, CA. 92618                              |                |
| .X ± .1   | X° ± 1°        | TEL: (949) 951-8808 FAX: (949) 951-3974                  |                |
| .XX ± .02                                       |                | TITLE: IP67 RATED PANEL MOUNT FLP INDICATOR, RIGHT ANGLE |                |
| .XXX ± .010                                     |                | PART NO: FR2-X.X-XXX-F6PX67PR                            |                |
| DESIGNED: TD. NGUYEN                            | DATE: 04/30/17 | REVISION: B  |                |
| REVISOR: D. GILBREATH                           | DATE: 08/14/18 | CAGE CODE: 32559   |                |
| CHECKED: K. BARON                               | DATE: 08/14/18 | SCALE: NONE  | SHEET # 1 OF 2 |

CAD GENERATED DOCUMENT, DO NOT MEASURE DRAWING

| FLEXIBLE LP ASSY<br>Part No.              | LED Part No. | Peak<br>Wavelength | Emitted<br>Color | Optical<br>Data @ 20mA |     |                 |
|---|--------------|--------------------|------------------|------------------------|-----|-----------------|
|   |              |                    |                  | Vf<br>(V)              |     | LED Iv<br>(mcd) |
|   |              | $\lambda_p$ (nm)   |                  | TYP                    | MAX | TYP             |
| <b>SINGLE COLOR LED ASSEMBLIES (20mA)</b> |              |                    |                  |                        |     |                 |
| FR2-X.X-UB-F6PX67PR                       | 3UBWC-0.6K-F | 470                | BLUE             | 4.0                    | 4.5 | 400             |
| FR2-X.X-UG-F6PX67PR                       | 3UGC-F       | 570                | GREEN            | 2.1                    | 2.4 | 200             |
| FR2-X.X-UY-F6PX67PR                       | 3UYC-F       | 590                | YELLOW           | 2.0                    | 2.4 | 300             |
| FR2-X.X-UR-F6PX67PR                       | 3URC-F       | 645                | RED              | 1.7                    | 2.4 | 200             |
| <b>BI-COLOR LED ASSEMBLIES (20mA)</b>     |              |                    |                  |                        |     |                 |
| FR2-X.X-SRG-F6PX67PR                      | 3SBCC-F      | 645                | RED              | 1.7                    | 2.4 | 100             |
|   |              | 568                | GREEN            | 2.1                    | 2.8 | 60              |

VISIT [WWW.BIVAR.COM](http://WWW.BIVAR.COM) FOR CURRENT LED DATASHEETS  
LED DETAILS ON DATASHEETS TAKE PRECEDENCE OVER DETAILS SHOWN HERE

## ABSOLUTE MAXIMUM RATINGS (Ta=25°C)

REVERSE VOLTAGE \_\_\_\_\_ 5V  
 REVERSE CURRENT \_\_\_\_\_ 100µA  
 OPERATING TEMPERATURE RANGE \_\_\_\_\_ -25°C ~ +85°C  
 STORAGE TEMPERATURE \_\_\_\_\_ -30°C ~ +100°C  
 LEAD SOLDERING TEMPERATURE(1/16" FROM BODY) \_\_\_\_\_ 260°C FOR 5 SECONDS