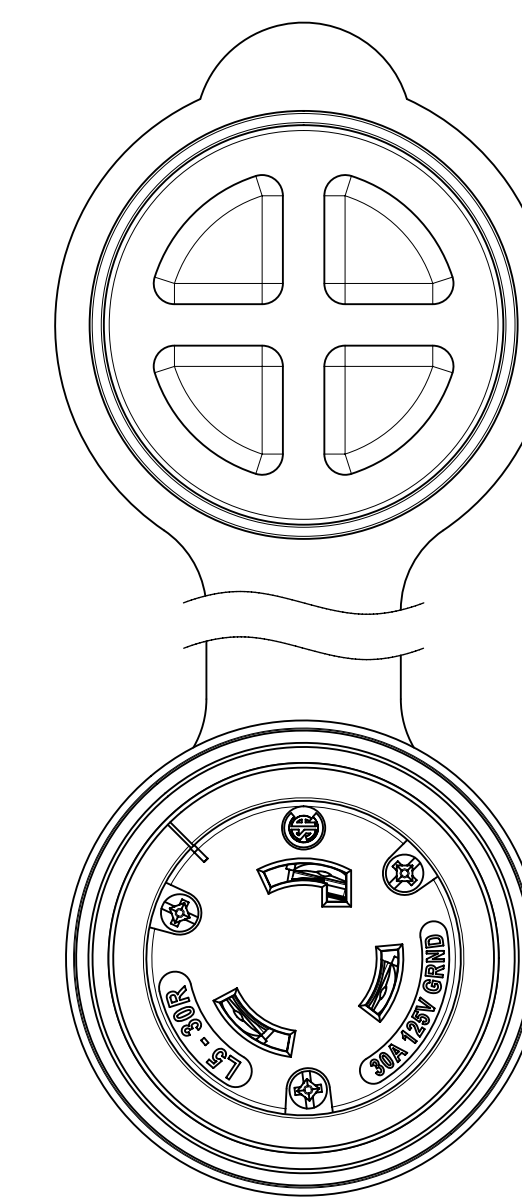
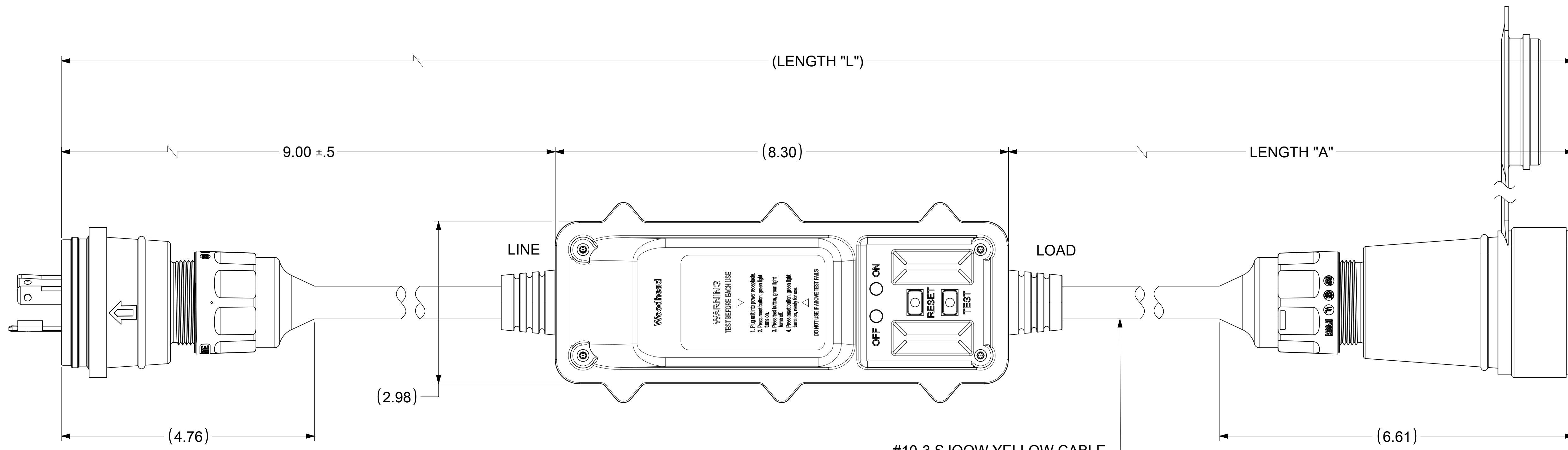
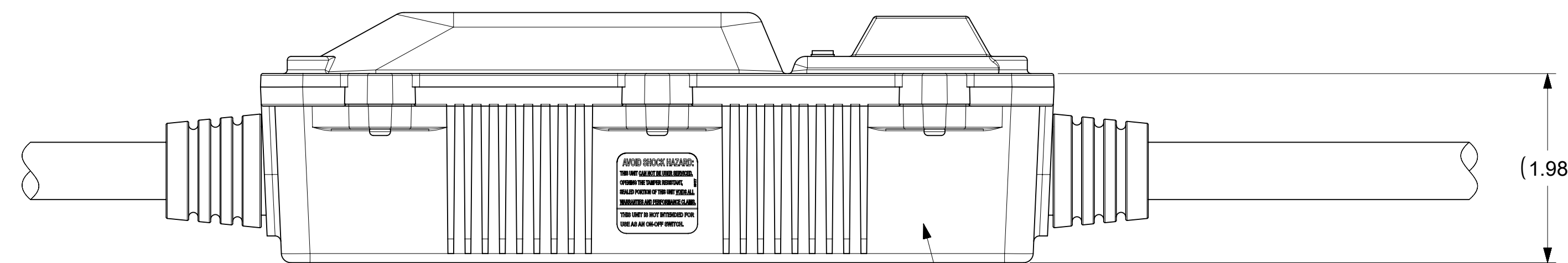


28W47 AS SHOWN



29W47 AS SHOWN



INLINE GFCI

TECHNICAL

- LISTED: UL & CSA
- RATED SUPPLY VOLTAGE: 120VAC, 240VAC
- RATED CURRENT: UP TO 30 AMPS
- RESET TYPE: MANUAL
- OPERATING FREQUENCY: 60 Hz
- TYPE: CLASS A
- GROUND TRIP CURRENT: 4-6 mA
- OVERLOAD CURRENT: 180 AMP
- INSULATION VOLTAGE: 1,500 VRMS - 1 MINUTE
- ENDURANCE OPERATIONS: 3000 OPERATIONS
- GFCI ENCLOSURE: NEMA 3R

MATERIAL NO.	PART NO.	LENGTH "A"	LENGTH "L"	INPUT PLUG	OUTPUT CONNECTOR	INLINE GFCI P/N	RATED VOLTAGE
1301530173	30052-1	9.00 IN. ± 0.5"	2 FT. 1 IN. ± 1"	28W47	29W47	30-0900	120V
1301530178	30052-6	5.0 FT. ± 1.0"	6 FT. 4 IN. ± 1.5"	28W47	29W47	30-0901	120V
1301530192	30054-1	9.00 IN. ± 0.5"	2 FT. 1 IN. ± 1"	28W48	29W48	30-0902	240V
1301530198	30054-6	5.0 FT. ± 1.0"	6 FT. 4 IN. ± 1.5"	28W48	29W48	30-0903	240V
1301530195	30054-25	24.0 FT. +2.0"/-0.0"	25 FT. 4 IN. +2.5"/-0.5"	28W48	29W48	30-0904	240V

FUNCTIONAL SYMBOLS								THIS DRAWING CONTAINS INFORMATION THAT IS PROPRIETARY TO MOLEX ELECTRONIC TECHNOLOGIES, LLC AND SHOULD NOT BE USED WITHOUT WRITTEN PERMISSION											
FA = 0		INCH		SCALE		NTS		CURRENT REV DESC: UPDATED GFCI BODY.											
FC = 0		GENERAL TOLERANCES (UNLESS SPECIFIED)						<p>molex</p> <p>GFCI IN-LINE 30A WITH WATERTITE PLUG & CONN</p> <p>PRODUCT CUSTOMER DRAWING</p>											
FD = 0		ANGULAR TOL ± °																	
		4 PLACES ±		EC NO: 723422		2022/09/26													
		3 PLACES ±		DRWN: PPURSUTANDEL		2022/10/04													
		2 PLACES ±		CHK'D: DNGUYEN62		2022/10/11													
		1 PLACE ±		APPR: HKNEELAND		2022/01/18													
		0 PLACES ±		INITIAL REVISION:															
				DRWN: PPURSUTANDEL		2021/12/06													
				APPR: HKNEELAND		2022/01/18													
DIVISIONAL SYMBOLS				DRAFT WHERE APPLICABLE MUST REMAIN WITHIN DIMENSIONS				THIRD ANGLE PROJECTION		DRAWING		SERIES		MATERIAL NUMBER		CUSTOMER		SHEET NUMBER	
				D-SIZE		130153		SEE TABLE		GENERAL MARKET		1301530173		PSD 000		B			

DOCUMENT STATUS	P1	RELEASE DATE	2022/10/11	20:02:54
-----------------	----	--------------	------------	----------