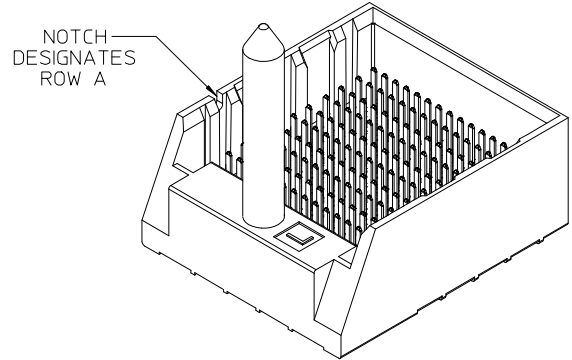
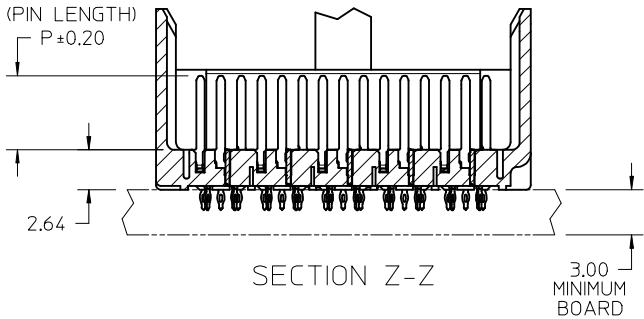


BACKPLANE HOLE PATTERN  
(CONNECTOR SIDE)



ENDWALL VERSION SHOWN

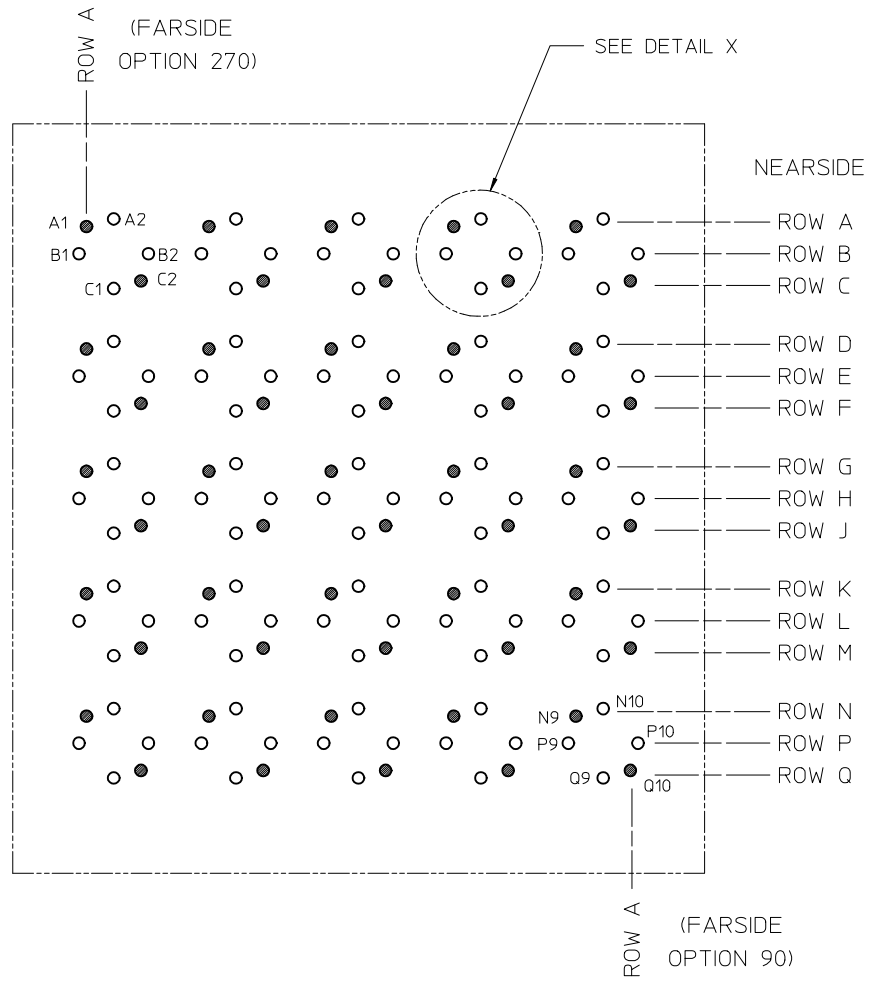
- NOTES:
1. MATERIALS: HOUSING - LIQUID CRYSTAL POLYMER (LCP)  
GLASS-FILLED, UL94V-0  
TERMINALS - HIGH PERFORMANCE COPPER ALLOY
  2. FINISH: 30μ MIN GOLD IN CONTACT AREA.  
SELECTIVE MATTE TIN OR (LEAD-FREE) ON PCB TAILS.  
NICKEL OVERALL.
  3. REFER TO MOLEX PRODUCT SPECIFICATION PS-76060-999  
FOR PERFORMANCE SPECIFICATIONS AND ADDITIONAL PCB INFORMATION.
  4. THIS PART CONFORMS TO CLASS B REQUIREMENTS OF  
COSMETIC SPEC PS-45499-002.
  5. PRODUCT IS PACKAGED PER PK-70873-765.
  6. SEE SHEETS 2 THRU 4 FOR PART NUMBERS AND ORTHOGONAL PIN MAPPING.
  7. REFER TO MOLEX SALES DRAWING SD-76990-002 FOR THE MATING RECEPTACLES.
  8. REFER TO MOLEX ROUTING GUIDE AS-76850-990 FOR ADDITIONAL PCB LAYOUT  
AND ROUTING RECOMMENDATIONS.
  9. THE KEEP-OUT ZONE FOR THE PART LENGTH INCLUDES AN ADDITIONAL 1.0mm  
TO ACCOMMODATE FOR SPACE REQUIRED BY THE DAUGHTERCARD ASSEMBLY.
  10. CONNECTORS ARE SUPPLIED WITH A 2-56 UNC-2A CUSTOM SCREW.
  11. THESE DIMENSIONS REPRESENT THE AREA NEEDED TO ACCOMMODATE CONNECTOR  
INSERTION AND REPAIR ON THE PC BOARD. THIS DOES NOT REPRESENT  
THE ACTUAL PERIMETER OF THE CONNECTOR.

INITIAL RELEASE	EC NO:	DATE	DESCRIPTION	QUALITY SYMBOLS
UCP2014-2268	DRWINARI ZV101	2013/03/05		▽=0
	CHKD:TELO	2013/11/22		▽=0
	APPR:TELO	2013/12/04		▽=0
A				

GENERAL TOLERANCES (UNLESS SPECIFIED)	
mm	INCH
4 PLACES ± ---	± ---
3 PLACES ± ---	± ---
2 PLACES ± 0.13	± ---
1 PLACE ± 0.25	± ---
0 PLACE ±	±
ANGULAR ±1/2°	
DRAFT WHERE APPLICABLE MUST REMAIN WITHIN DIMENSIONS	

DIMENSION STYLE	
MM ONLY	
DRAWN BY	DATE
ARIZV101	2013/03/05
CHECKED BY	DATE
JMENDOZA	2013/11/22
APPROVED BY	DATE
TELO	2013/12/04
MATERIAL NO.	
SEE CHART	
SIZE	C

SCALE	DESIGN UNITS	THIRD ANGLE PROJECTION
4:1	METRIC	☉
TITLE		
IMPACT 5 PAIR HEADER ORTHOGONAL ASSEMBLY GUIDE LEFT SALES DRAWING		
molex		
DOCUMENT NO.	SHEET NO.	
SD-171884-0002	1 OF 4	
THIS DRAWING CONTAINS INFORMATION THAT IS PROPRIETARY TO MOLEX INCORPORATED AND SHOULD NOT BE USED WITHOUT WRITTEN PERMISSION		



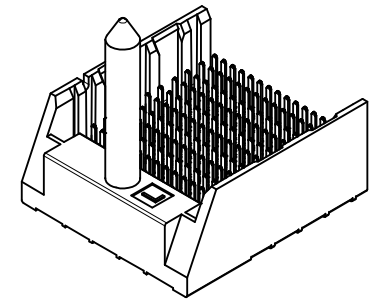
MATERIAL NUMBER	# OF COLUMNS	# OF DIFF PAIR	MODULE TYPE	DIM A	DIM B	DIM C
171884-*80*	8	40	NO ENDWALL	22.9	14.05	14.45
171884-*80*	8	40	WITH ENDWALL	24.3	14.05	14.45
171884-*10*	10	50	NO ENDWALL	27.0	18.10	18.50
171884-*10*	10	50	WITH ENDWALL	28.4	18.10	18.50
171884-*20*	12	60	NO ENDWALL	31.0	22.15	22.55
171884-*20*	12	60	WITH ENDWALL	32.4	22.15	22.55

171884-\*x\*0\*

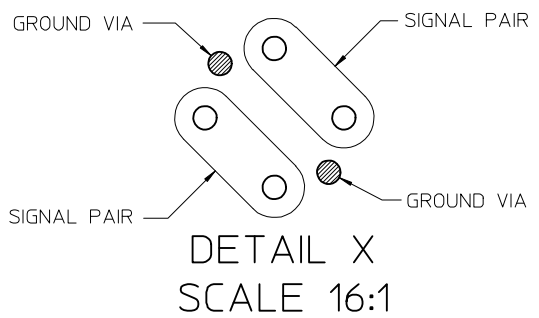
MODULE & TAIL PLATING TYPE  
 3 = GUIDE LEFT NO ENDWALL, TIN  
 7 = GUIDE LEFT ENDWALL, TIN

PIN LENGTH (P)  
 4 = 4.90 (0.46 PTH)  
 5 = 5.50 (0.46 PTH)  
 7 = 4.90 (0.39 PTH)  
 8 = 5.50 (0.39 PTH)

# OF COLUMNS  
 8 = 8 COLUMN  
 1 = 10 COLUMN  
 2 = 12 COLUMN



MIDPLANE PCB LAYOUT  
SCALE 8:1



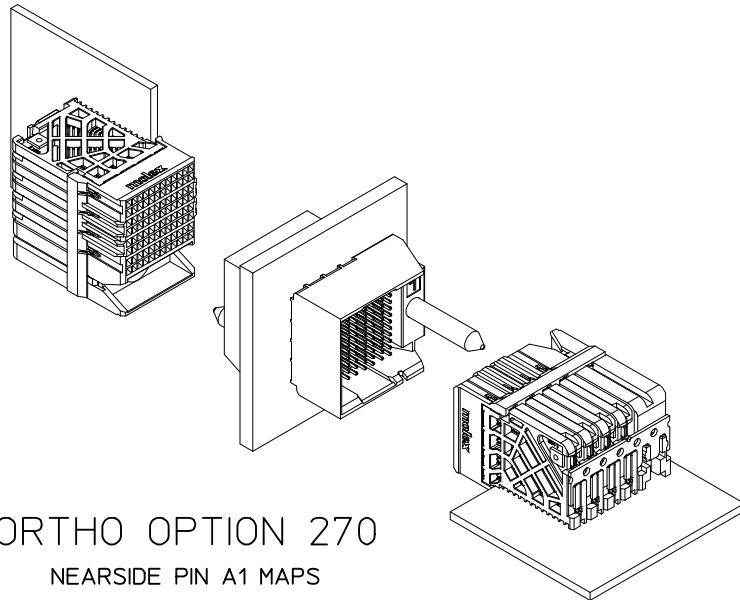
SEE SHEET 1 EC NO: UCP2014-2268 DRW: ARIZV101 CHKD: TELO APPR: TELO	REV	DESCRIPTION	QUALITY SYMBOLS	GENERAL TOLERANCES (UNLESS SPECIFIED)		DIMENSION STYLE MM ONLY		SCALE 3:1	DESIGN UNITS METRIC	THIRD ANGLE PROJECTION
				mm	INCH	DRAWN BY ARIZV101	DATE 2013/03/05	TITLE IMPACT 5 PAIR HEADER ORTHOGONAL ASSEMBLY GUIDE LEFT SALES DRAWING	DOCUMENT NO. SD-171884-0002	SHEET NO. 2 OF 4
A				4 PLACES ±	---	±	---	CHECKED BY JMENDOZA	DATE 2013/11/22	THIS DRAWING CONTAINS INFORMATION THAT IS PROPRIETARY TO MOLEX INCORPORATED AND SHOULD NOT BE USED WITHOUT WRITTEN PERMISSION
				3 PLACES ±	---	±	---	APPROVED BY TELO	DATE 2013/12/04	
				2 PLACES ±	0.13	±	---	MATERIAL NO. SEE CHART		
				1 PLACE ±	0.25	±	---	DRAFT WHERE APPLICABLE MUST REMAIN WITHIN DIMENSIONS		
				0 PLACE ±		±		ANGULAR ±1/2°		

# ORTHO PIN MAPPING

## OPTION 270 (NEAR SIDE - FAR SIDE)

(A1-A1)	A2-B1	(A3-D1)	A4-E1	(A5-G1)	A6-H1	(A7-K1)	A8-L1	(A9-N1)	A10-P1
B1-A2	B2-C1	B3-D2	B4-F1	B5-G2	B6-J1	B7-K2	B8-M1	B9-N2	B10-O1
C1-B2	(C2-C2)	C3-E2	(C4-F2)	C5-H2	(C6-J2)	C7-L2	(C8-M2)	C9-P2	(C10-Q2)
(D1-A3)	D2-B3	(D3-D3)	D4-E3	(D5-G3)	D6-H3	(D7-K3)	D8-L3	(D9-N3)	D10-P3
E1-A4	E2-C3	E3-D4	E4-F3	E5-G4	E6-J3	E7-K4	E8-M3	E9-N4	E10-Q3
F1-B4	(F2-C4)	F3-E4	(F4-F4)	F5-H4	(F6-J4)	F7-L4	(F8-M4)	F9-P4	(F10-Q4)
(G1-A5)	G2-B5	(G3-D5)	G4-E5	(G5-G5)	G6-H5	(G7-K5)	G8-L5	(G9-N5)	G10-P5
H1-A6	H2-C5	H3-D6	H4-F5	H5-G6	H6-J5	H7-K6	H8-M5	H9-N6	H10-Q5
J1-B6	(J2-C6)	J3-E6	(J4-F6)	J5-H6	(J6-J6)	J7-L6	(J8-M6)	J9-P6	(J10-Q6)
(K1-A7)	K2-B7	(K3-D7)	K4-E7	(K5-G7)	K6-H7	(K7-K7)	K8-L7	(K9-N7)	K10-P7
L1-A8	L2-C7	L3-D8	L4-F7	L5-G8	L6-J7	L7-K8	L8-M7	L9-N8	L10-Q7
M1-B8	(M2-C8)	M3-E8	(M4-F8)	M5-H8	(M6-J8)	M7-L8	(M8-M8)	M9-P8	(M10-Q8)
(N1-A9)	N2-B9	(N3-D9)	N4-E9	(N5-G9)	N6-H9	(N7-K9)	N8-L9	(N9-N9)	N10-P9
P1-A10	P2-C9	P3-D10	P4-F9	P5-G10	P6-J9	P7-K10	P8-M9	P9-N10	P10-Q9
Q1-B10	(Q2-C10)	Q3-E10	(Q4-F10)	Q5-H10	(Q6-J10)	Q7-L10	(Q8-M10)	Q9-P10	(Q10-Q10)

NOTE: PINOUTS SHOWN IN BALLOONS ARE GROUNDS.  
PINOUTS SHOWN ARE FOR SQUARE (10 COLUMN) PATTERN ONLY.

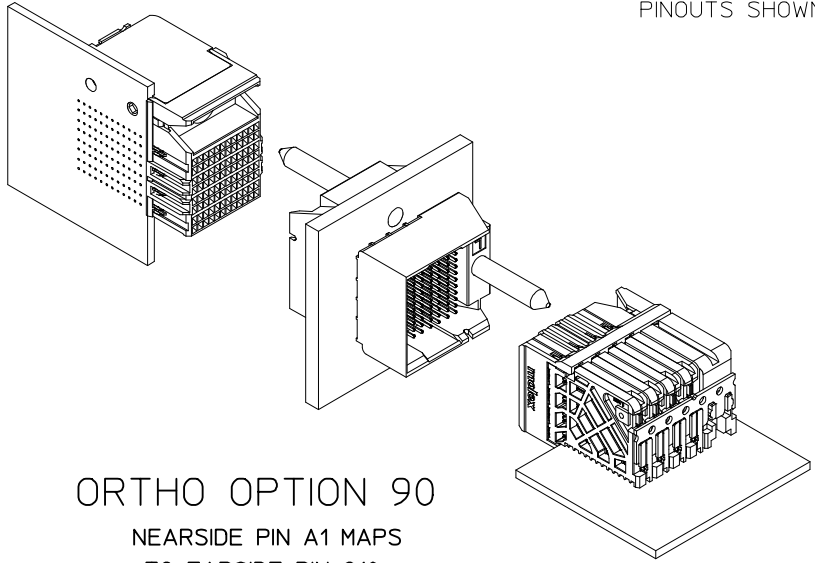


**ORTHO OPTION 270**  
NEAR SIDE PIN A1 MAPS  
TO FAR SIDE PIN A1

SEE SHEET 1 EC NO: UCP2014-2268 DRWN: ARIZV101 CHKD: TELO APPR: TELO	2013/03/05 2013/11/22 2013/12/04	DESCRIPTION REV	QUALITY SYMBOLS ▽=0 ▽=0 ▽=0	GENERAL TOLERANCES (UNLESS SPECIFIED)		DIMENSION STYLE <b>MM ONLY</b>		SCALE <b>8:1</b>	DESIGN UNITS <b>METRIC</b>	THIRD ANGLE PROJECTION
				mm	INCH	DRAWN BY ARIZV101	DATE 2013/03/05	TITLE <b>IMPACT 5 PAIR HEADER                  ORTHOGONAL ASSEMBLY                  GUIDE LEFT SALES DRAWING</b>		
				4 PLACES ± ---	± ---	CHECKED BY JMENDOZA	DATE 2013/11/22			
				3 PLACES ± ---	± ---	APPROVED BY TELO		DATE 2013/12/04	DOCUMENT NO. <b>SD-171884-0002</b>	
2 PLACES ± 0.13	± ---	MATERIAL NO.		SHEET NO.						
1 PLACE ± 0.25	± ---	DRAFT WHERE APPLICABLE MUST REMAIN WITHIN DIMENSIONS		SEE CHART			3 OF 4			
0 PLACE ±	±	ANGULAR ±1/2°		THIS DRAWING CONTAINS INFORMATION THAT IS PROPRIETARY TO MOLEX INCORPORATED AND SHOULD NOT BE USED WITHOUT WRITTEN PERMISSION			MOLEX			

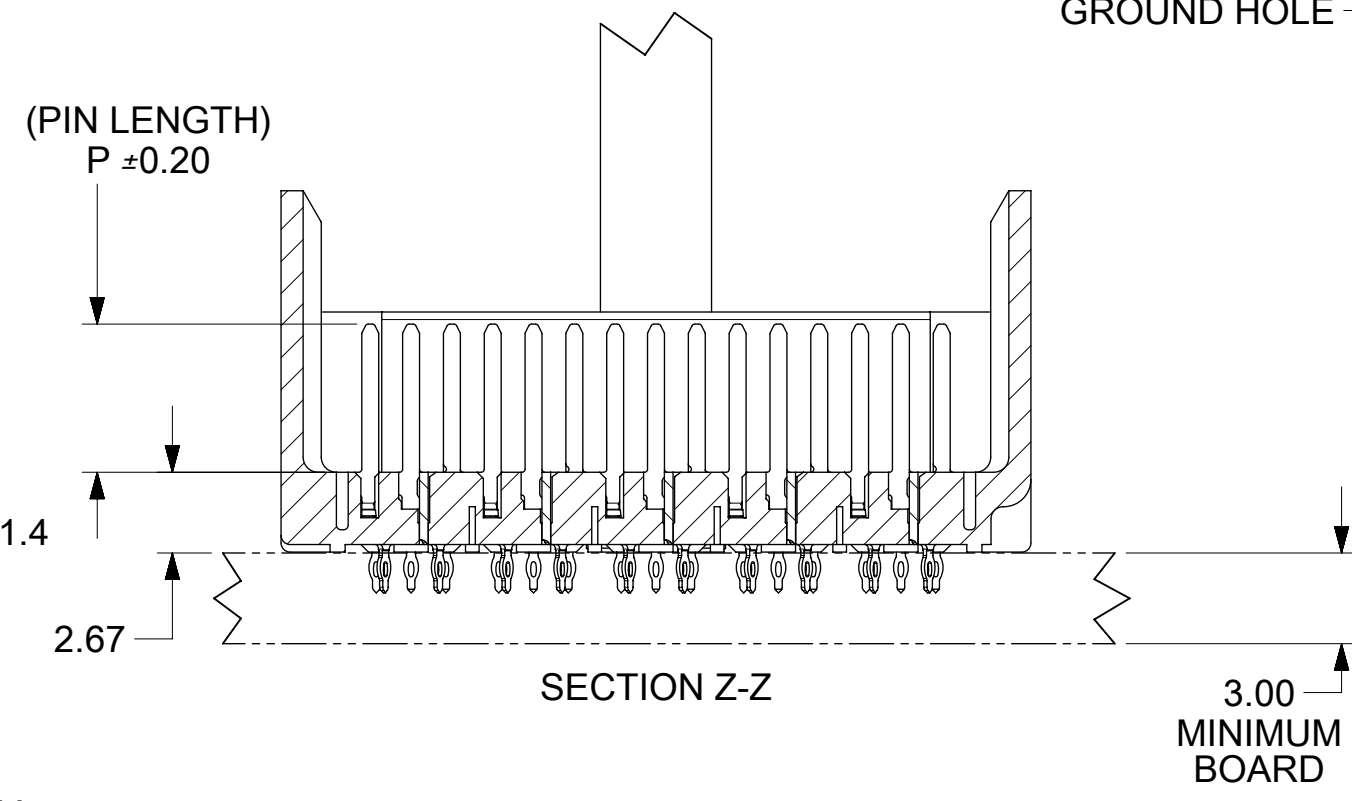
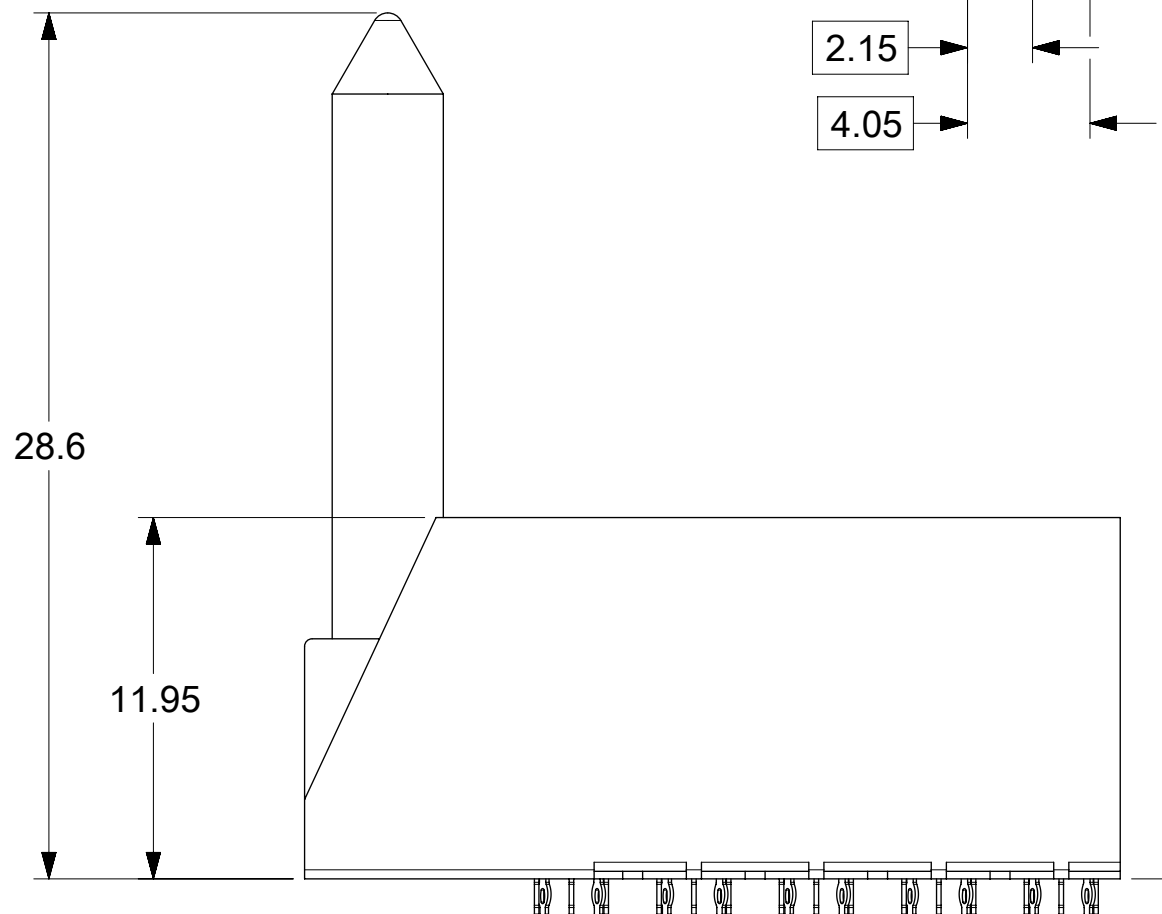
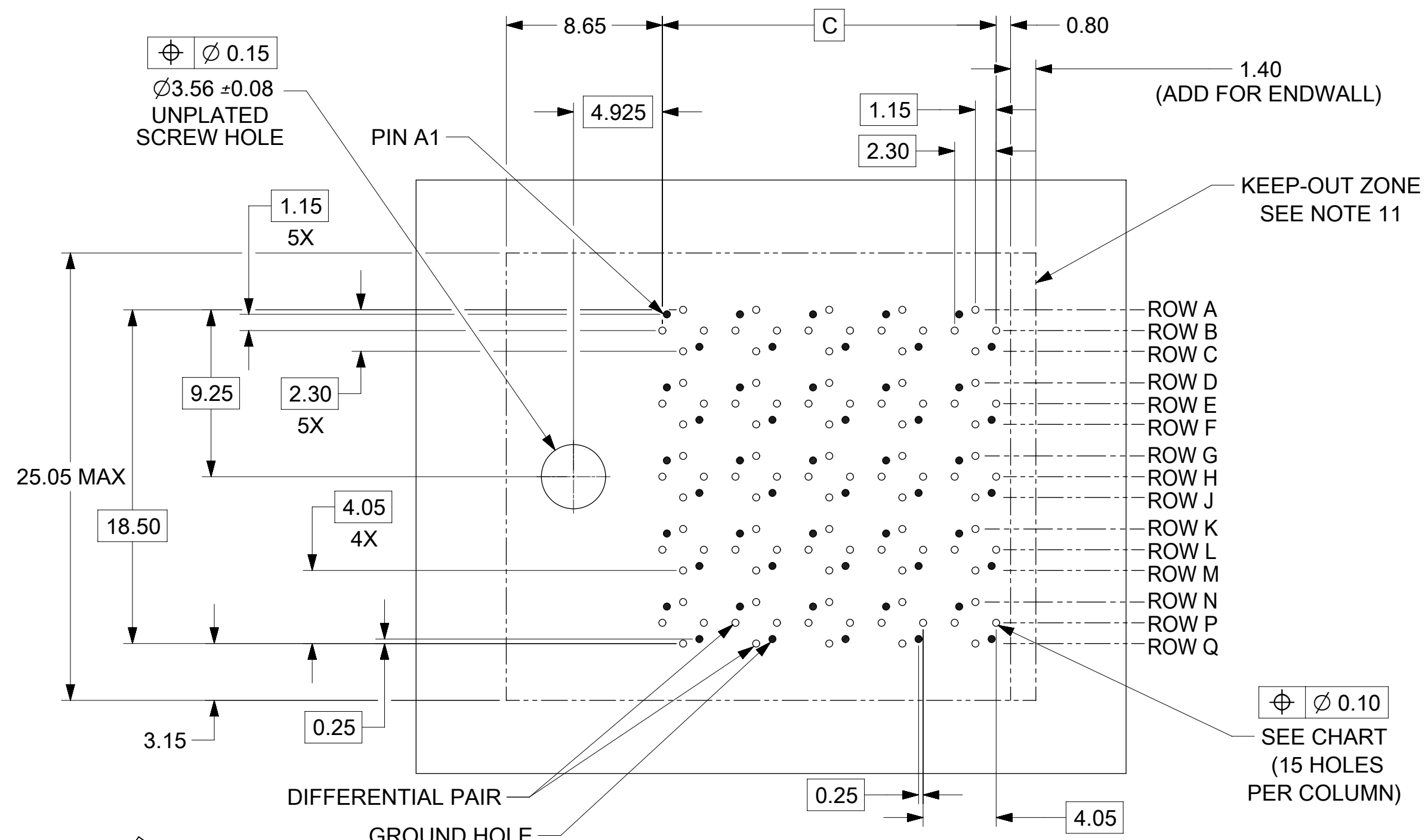
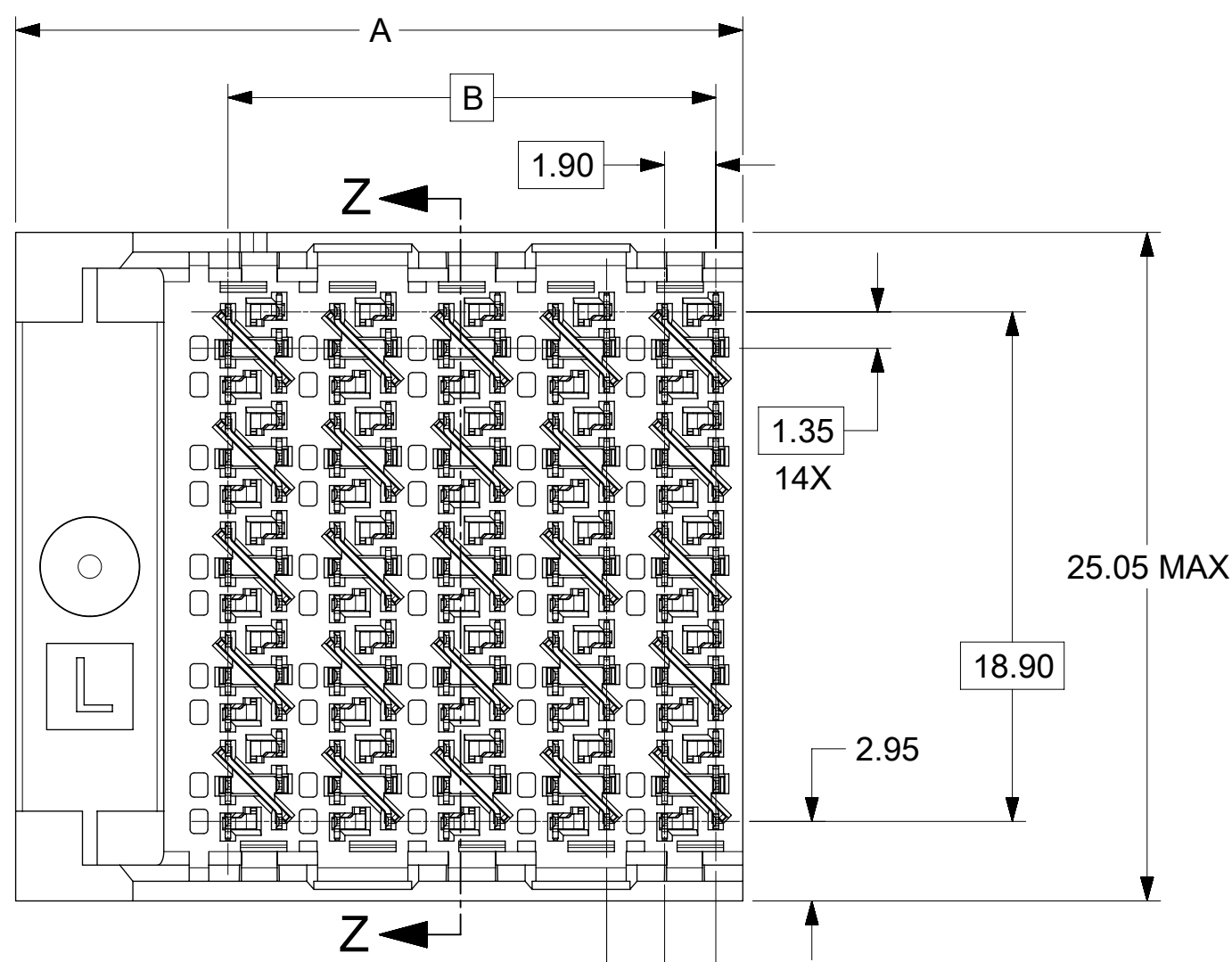
ORTHO PIN MAPPING									
OPTION 90 (NEARSIDE - FAR SIDE)									
(A1-Q10)	A2-P10	(A3-M10)	A4-L10	(A5-J10)	A6-H10	(A7-F10)	A8-E10	(A9-C10)	A10-B10
B1-O9	B2-N10	B3-M9	B4-K10	B5-J9	B6-G10	B7-F9	B8-D10	B9-C9	B10-A10
C1-P9	(C2-N9)	C3-L9	(C4-K9)	C5-H9	(C6-G9)	C7-E9	(C8-D9)	C9-B9	(C10-A9)
(D1-Q8)	D2-P8	(D3-M8)	D4-L8	(D5-J8)	D6-H8	(D7-F8)	D8-E8	(D9-C8)	D10-B8
E1-O7	E2-N8	E3-M7	E4-K8	E5-J7	E6-G8	E7-F7	E8-D8	E9-C7	E10-A8
F1-P7	(F2-N7)	F3-L7	(F4-K7)	F5-H7	(F6-G7)	F7-E7	(F8-D7)	F9-B7	(F10-A7)
(G1-O6)	G2-P6	(G3-M6)	G4-L6	(G5-J6)	G6-H6	(G7-F6)	G8-E6	(G9-C6)	G10-B6
H1-O5	H2-N6	H3-M5	H4-K6	H5-J5	H6-G6	H7-F5	H8-D6	H9-C5	H10-A6
J1-P5	(J2-N5)	J3-L5	(J4-K5)	J5-H5	(J6-G5)	J7-E5	(J8-D5)	J9-B5	(J10-A5)
(K1-Q4)	K2-P4	(K3-M4)	K4-L4	(K5-J4)	K6-H4	(K7-F4)	K8-E4	(K9-C4)	K10-B4
L1-O3	L2-N4	L3-M3	L4-K4	L5-J3	L6-G4	L7-F3	L8-D4	L9-C3	L10-A4
M1-P3	(M2-N3)	M3-L3	(M4-K3)	M5-H3	(M6-G3)	M7-E3	(M8-D3)	M9-B3	(M10-A3)
(N1-Q2)	N2-P2	(N3-M2)	N4-L2	(N5-J2)	N6-H2	(N7-F2)	N8-E2	(N9-C2)	N10-B2
P1-O1	P2-N2	P3-M1	P4-K2	P5-J1	P6-G2	P7-F1	P8-D2	P9-C1	P10-A2
Q1-P1	(Q2-N1)	Q3-L1	(Q4-K1)	Q5-H1	(Q6-G1)	Q7-E1	(Q8-D1)	Q9-B1	(Q10-A1)

NOTE: PINOUTS SHOWN IN BALLOONS ARE GROUNDS.  
 PINOUTS SHOWN ARE FOR SQUARE (10 COLUMN) PATTERN ONLY.

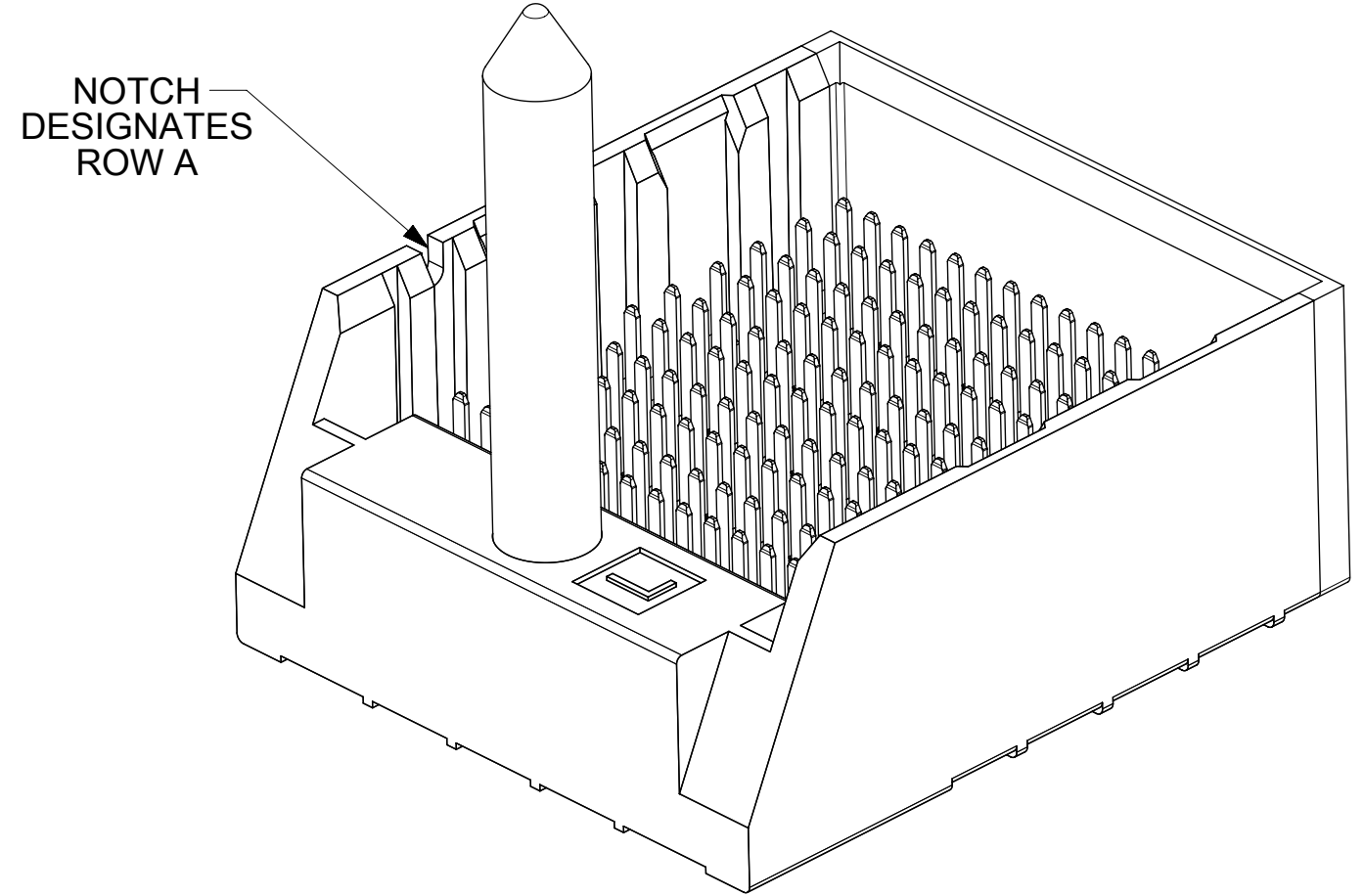


ORTHO OPTION 90  
 NEARSIDE PIN A1 MAPS  
 TO FAR SIDE PIN Q10  
 (FOR SQUARE PATTERN)

SEE SHEET 1 EC NO: UCP2014-2268 DRWN:ARIZV101 2013/03/05 CHKD:TELO 2013/11/22 APPR:TELO 2013/12/04	QUALITY SYMBOLS ▽=0 ▽=0 ▽=0	GENERAL TOLERANCES (UNLESS SPECIFIED)		DIMENSION STYLE MM ONLY		SCALE 4:1	DESIGN UNITS METRIC	THIRD ANGLE PROJECTION			
		4 PLACES	± ---	± ---	DRAWN BY ARIZV101	DATE 2013/03/05	TITLE IMPACT 5 PAIR HEADER ORTHOGONAL ASSEMBLY GUIDE LEFT SALES DRAWING				
		3 PLACES	± ---	± ---	CHECKED BY JMENDOZA	DATE 2013/11/22					
		2 PLACES	± 0.13	± ---	APPROVED BY TELO		DATE 2013/12/04	MATERIAL NO. SEE CHART			
		1 PLACE	± 0.25	± ---	MATERIAL NO.		DATE				
0 PLACE	±	±	ANGULAR ±1/2°		DATE	DOCUMENT NO. SD-171884-0002		SHEET NO. 4 OF 4			
DRAFT WHERE APPLICABLE MUST REMAIN WITHIN DIMENSIONS			SIZE C		THIS DRAWING CONTAINS INFORMATION THAT IS PROPRIETARY TO MOLEX INCORPORATED AND SHOULD NOT BE USED WITHOUT WRITTEN PERMISSION						



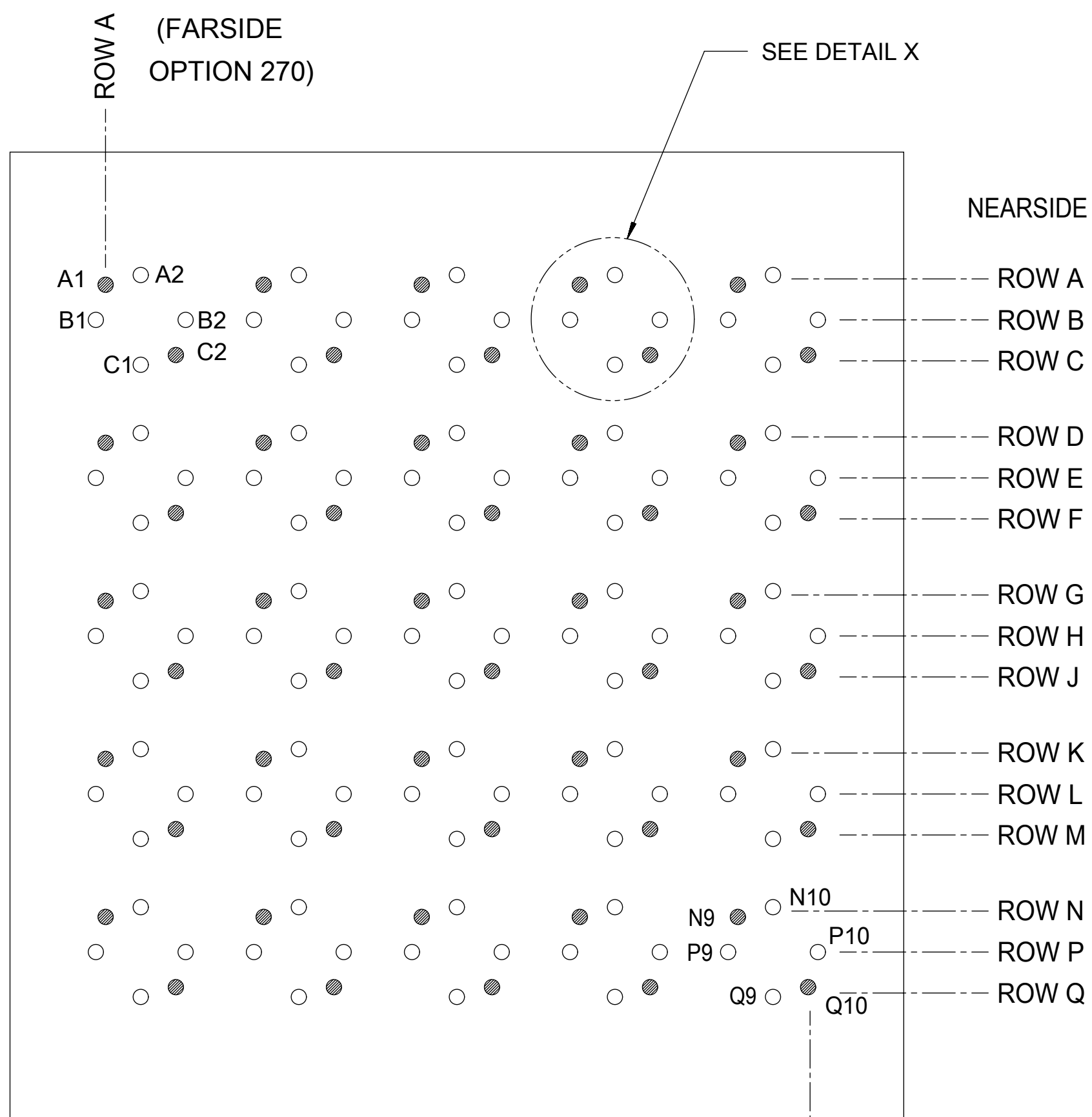
**BACKPLANE HOLE PATTERN  
(CONNECTOR SIDE)**



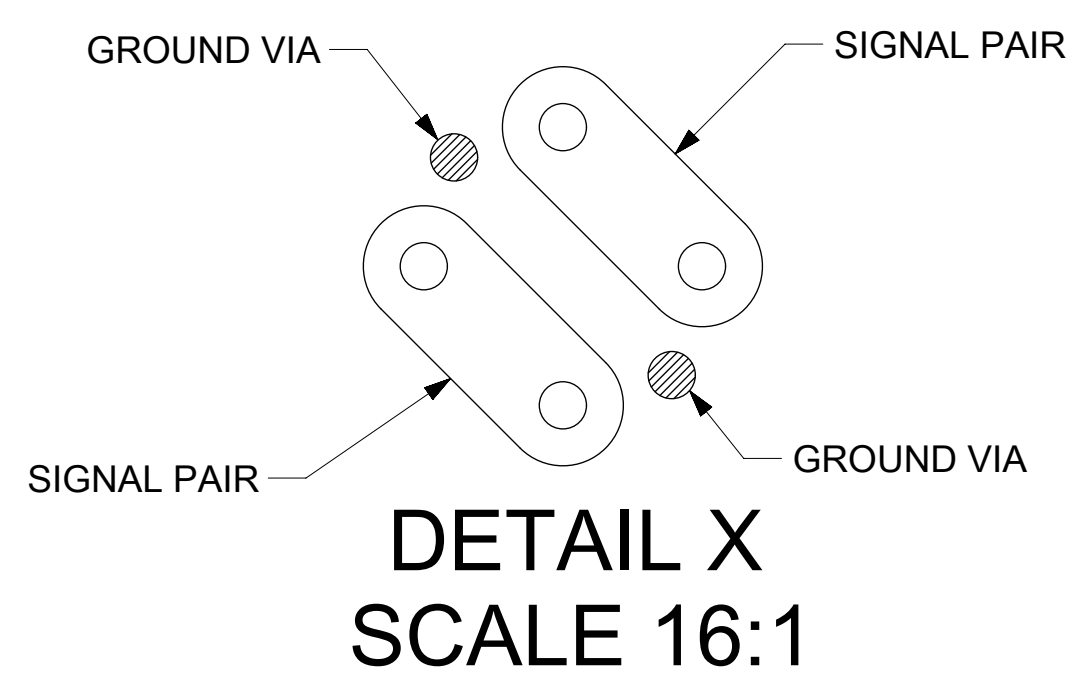
**ENDWALL VERSION SHOWN**

- NOTES:**
1. MATERIALS: HOUSING - LIQUID CRYSTAL POLYMER (LCP)  
GLASS-FILLED, UL94V-0  
TERMINALS - HIGH PERFORMANCE COPPER ALLOY
  2. FINISH: 30μ MIN GOLD IN CONTACT AREA.  
SELECTIVE TIN OR TIN-LEAD ON PCB TAILS.  
NICKEL OVERALL.
  3. REFER TO MOLEX PRODUCT SPECIFICATION PS-76060-999  
FOR PERFORMANCE SPECIFICATIONS AND ADDITIONAL PCB INFORMATION.
  4. THIS PART CONFORMS TO CLASS B REQUIREMENTS OF  
COSMETIC SPEC PS-45499-002.
  5. PRODUCT IS PACKAGED PER PK-70873-765.
  6. SEE SHEETS 2 THRU 4 FOR PART NUMBERS AND ORTHOGONAL PIN MAPPING.
  7. REFER TO MOLEX SALES DRAWING SD-76990-002 FOR THE MATING RECEPTACLES.
  8. REFER TO MOLEX ROUTING GUIDE AS-76850-990 FOR ADDITIONAL PCB LAYOUT  
AND ROUTING RECOMMENDATIONS.
  9. THE KEEP-OUT ZONE FOR THE PART LENGTH INCLUDES AN ADDITIONAL 1.0mm  
TO ACCOMMODATE FOR SPACE REQUIRED BY THE DAUGHTERCARD ASSEMBLY.
  10. CONNECTORS ARE SUPPLIED WITH A 2-56 UNC-2A SCREW.
  11. "THESE DIMENSIONS REPRESENT THE AREA NEEDED TO ACCOMMODATE CONNECTOR  
INSERTION AND REPAIR ON THE PC BOARD. THIS DOES NOT REPRESENT  
THE ACTUAL PERIMETER OF THE CONNECTOR."

THIS DRAWING CONTAINS INFORMATION THAT IS PROPRIETARY TO MOLEX ELECTRONIC TECHNOLOGIES, LLC AND SHOULD NOT BE USED WITHOUT WRITTEN PERMISSION									
DIMENSION UNITS		SCALE		CURRENT REV DESC: MIGRATED TO NX					
mm		4:1							
GENERAL TOLERANCES (UNLESS SPECIFIED)									
ANGULAR TOL		± 0.5°		EC NO: 609931					
4 PLACES		±		DRWN: JKUMARSARAFS 2018/10/18					
3 PLACES		±		CHK'D: RSHIVANANDKE 2019/01/02					
2 PLACES		± 0.13		APPR: CWANG25 2019/01/11					
1 PLACE		± 0.25		INITIAL REVISION:					
0 PLACES		±		DRWN: JLAURX 4/28/09					
				APPR: JBINGHAM 2010/01/14					
DRAFT WHERE APPLICABLE MUST REMAIN WITHIN DIMENSIONS				THIRD ANGLE PROJECTION		DRAWING		SERIES	
				C-SIZE		76985			
DOCUMENT STATUS				P1		RELEASE DATE		2019/01/11 07:48:13	
DOCUMENT NUMBER				SD-76985-002		DOC TYPE		DOC PART	
MATERIAL NUMBER				SEE CHART		CUSTOMER		GENERAL MARKET	
SHEET NUMBER				1 OF 4		REVISION		E1	



MIDPLANE PCB LAYOUT  
SCALE 8:1



MATERIAL NUMBER	# OF COLUMNS	# OF DIFF PAIR	MODULE TYPE	DIM A	DIM B	DIM C
76985-*80*	8	40	NO ENDWALL	22.9	14.05	14.45
76985-*80*	8	40	WITH ENDWALL	24.3	14.05	14.45
76985-*10*	10	50	NO ENDWALL	27.0	18.10	18.50
76985-*10*	10	50	WITH ENDWALL	28.4	18.10	18.50
76985-*20*	12	60	NO ENDWALL	31.0	22.15	22.55
76985-*20*	12	60	WITH ENDWALL	32.4	22.15	22.55

**76985- \* \* 0 \***

MODULE & TAIL PLATING TYPE

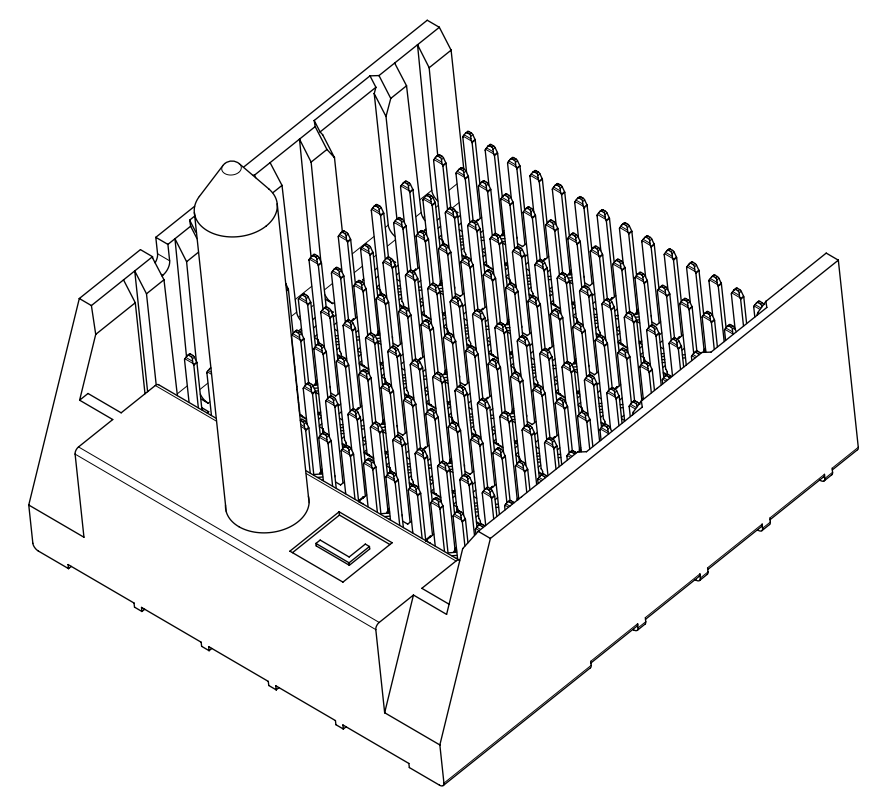
- 2 = GUIDE LEFT NO ENDWALL, TIN/LEAD
- 3 = GUIDE LEFT NO ENDWALL, TIN
- 6 = GUIDE LEFT ENDWALL, TIN/LEAD
- 7 = GUIDE LEFT ENDWALL, TIN

PIN LENGTH (P)

- 4 = 4.90 (0.46 PTH)
- 5 = 5.50 (0.46 PTH)
- 7 = 4.90 (0.39 PTH)
- 8 = 5.50 (0.39 PTH)

# OF COLUMNS

- 8 = 8 COLUMNS
- 1 = 10 COLUMNS
- 2 = 12 COLUMNS



OPEN END OPTION

THIS DRAWING CONTAINS INFORMATION THAT IS PROPRIETARY TO MOLEX ELECTRONIC TECHNOLOGIES, LLC AND SHOULD NOT BE USED WITHOUT WRITTEN PERMISSION

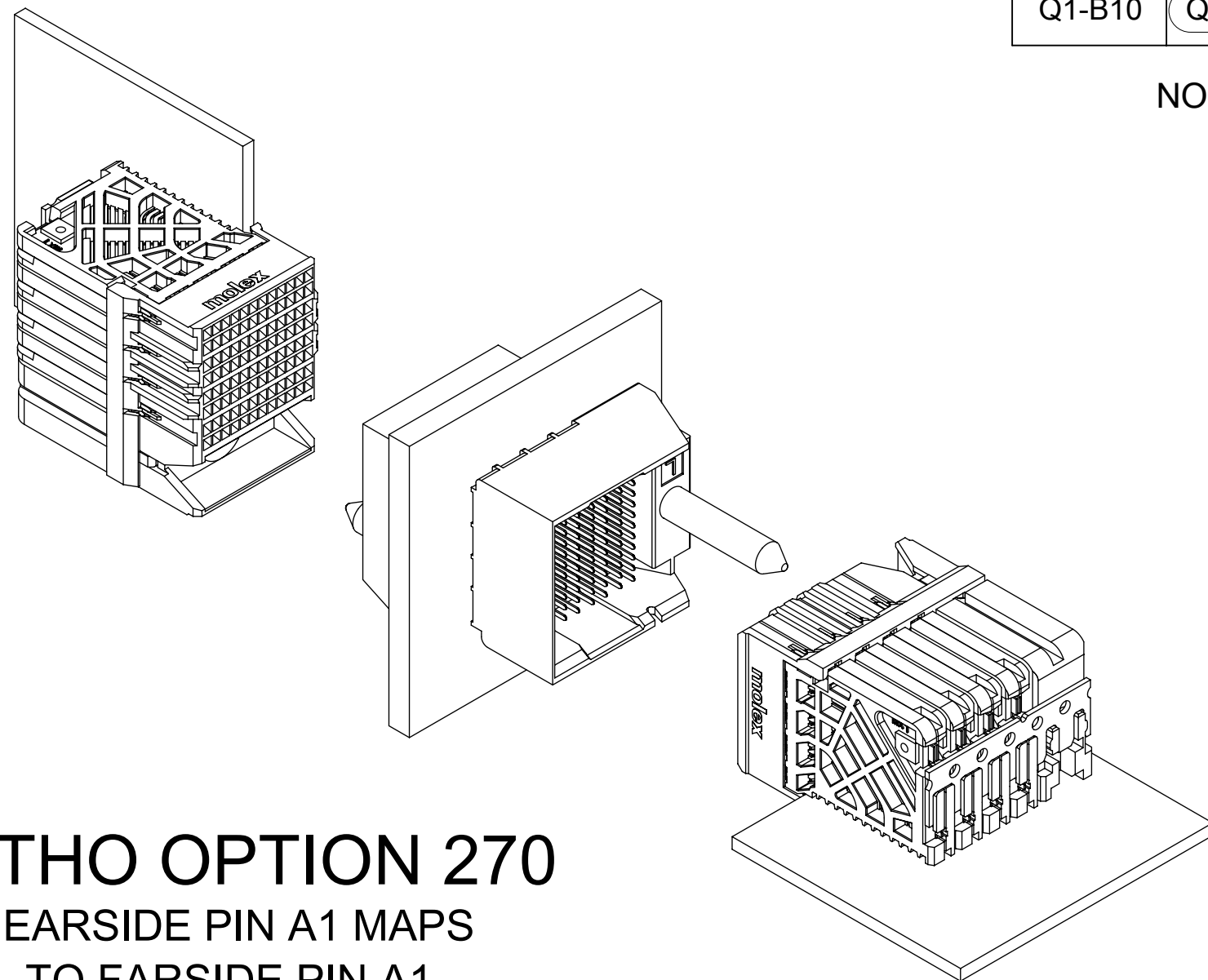
DIMENSION UNITS	SCALE	CURRENT REV DESC: MIGRATED TO NX		<b>molex</b>		
mm	3:1					
GENERAL TOLERANCES (UNLESS SPECIFIED)		EC NO: 609931		IMPACT 5 PAIR HEADER ORTHOGONAL ASSEMBLY GUIDE LEFT SALES DRAWING		
ANGULAR TOL	± 0.5°	DRWN: JKUMARSARAFS	2018/10/18	PRODUCT CUSTOMER DRAWING		
4 PLACES	±	CHK'D: RSHIVANANDKE	2019/01/02	DOCUMENT NUMBER		
3 PLACES	±	APPR: CWANG25	2019/01/11	SD-76985-002		
2 PLACES	± 0.13	INITIAL REVISION:		DOC TYPE	DOC PART	REVISION
1 PLACE	± 0.25	DRWN: JLAURX	4/28/09	PSD	001	E1
0 PLACES	±	APPR: JBINGHAM	2010/01/14	SHEET NUMBER		
DRAFT WHERE APPLICABLE MUST REMAIN WITHIN DIMENSIONS		THIRD ANGLE PROJECTION	DRAWING	SERIES	MATERIAL NUMBER	CUSTOMER
			C-SIZE	76985	SEE CHART	GENERAL MARKET
						2 OF 4

# ORTHO PIN MAPPING


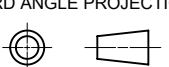
## OPTION 270 (NEAR SIDE - FAR SIDE)

A1-A1	A2-B1	A3-D1	A4-E1	A5-G1	A6-H1	A7-K1	A8-L1	A9-N1	A10-P1
B1-A2	B2-C1	B3-D2	B4-F1	B5-G2	B6-J1	B7-K2	B8-M1	B9-N2	B10-Q1
C1-B2	C2-C2	C3-E2	C4-F2	C5-H2	C6-J2	C7-L2	C8-M2	C9-P2	C10-Q2
D1-A3	D2-B3	D3-D3	D4-E3	D5-G3	D6-H3	D7-K3	D8-L3	D9-N3	D10-P3
E1-A4	E2-C3	E3-D4	E4-F3	E5-G4	E6-J3	E7-K4	E8-M3	E9-N4	E10-Q3
F1-B4	F2-C4	F3-E4	F4-F4	F5-H4	F6-J4	F7-L4	F8-M4	F9-P4	F10-Q4
G1-A5	G2-B5	G3-D5	G4-E5	G5-G5	G6-H5	G7-K5	G8-L5	G9-N5	G10-P5
H1-A6	H2-C5	H3-D6	H4-F5	H5-G6	H6-J5	H7-K6	H8-M5	H9-N6	H10-Q5
J1-B6	J2-C6	J3-E6	J4-F6	J5-H6	J6-J6	J7-L6	J8-M6	J9-P6	J10-Q6
K1-A7	K2-B7	K3-D7	K4-E7	K5-G7	K6-H7	K7-K7	K8-L7	K9-N7	K10-P7
L1-A8	L2-C7	L3-D8	L4-F7	L5-G8	L6-J7	L7-K8	L8-M7	L9-N8	L10-Q7
M1-B8	M2-C8	M3-E8	M4-F8	M5-H8	M6-J8	M7-L8	M8-M8	M9-P8	M10-Q8
N1-A9	N2-B9	N3-D9	N4-E9	N5-G9	N6-H9	N7-K9	N8-L9	N9-N9	N10-P9
P1-A10	P2-C9	P3-D10	P4-F9	P5-G10	P6-J9	P7-K10	P8-M9	P9-N10	P10-Q9
Q1-B10	Q2-C10	Q3-E10	Q4-F10	Q5-H10	Q6-J10	Q7-L10	Q8-M10	Q9-P10	Q10-Q10

NOTE: PINOUTS SHOWN IN BALLOONS ARE GROUNDS.  
PINOUTS SHOWN ARE FOR SQUARE (10 COLUMN) PATTERN ONLY.



**ORTHO OPTION 270**  
NEAR SIDE PIN A1 MAPS  
TO FAR SIDE PIN A1

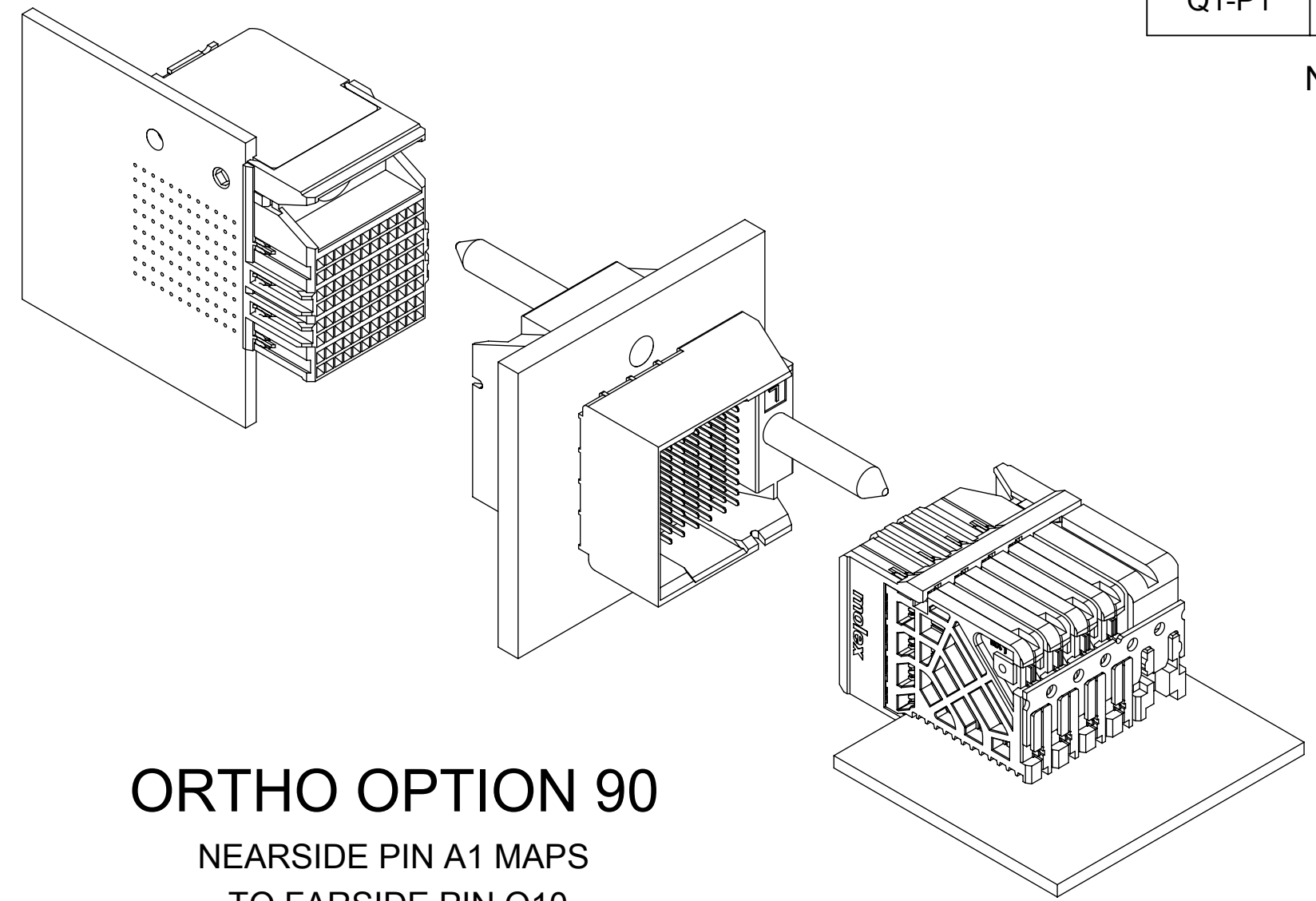
THIS DRAWING CONTAINS INFORMATION THAT IS PROPRIETARY TO MOLEX ELECTRONIC TECHNOLOGIES, LLC AND SHOULD NOT BE USED WITHOUT WRITTEN PERMISSION													
DIMENSION UNITS		SCALE		CURRENT REV DESC: MIGRATED TO NX									
mm		8:1		 IMPACT 5 PAIR HEADER ORTHOGONAL ASSEMBLY GUIDE LEFT SALES DRAWING PRODUCT CUSTOMER DRAWING									
GENERAL TOLERANCES (UNLESS SPECIFIED)										EC NO: 609931		2018/10/18	
ANGULAR TOL		± 0.5°								DRWN: JKUMARSARAFS		2019/01/02	
4 PLACES		±								CHK'D: RSHIVANANDKE		2019/01/11	
3 PLACES		±								APPR: CWANG25		2019/01/11	
2 PLACES		± 0.13								INITIAL REVISION:			
1 PLACE		± 0.25		DRWN: JLAURX		4/28/09							
0 PLACES		±		APPR: JBINGHAM		2010/01/14							
DRAFT WHERE APPLICABLE MUST REMAIN WITHIN DIMENSIONS				THIRD ANGLE PROJECTION		DRAWING		SERIES					
						C-SIZE		76985					
DOCUMENT NUMBER		DOC TYPE		DOC PART		REVISION							
SD-76985-002		PSD		001		E1							
MATERIAL NUMBER		CUSTOMER		SHEET NUMBER									
SEE CHART		GENERAL MARKET		3 OF 4									

# ORTHO PIN MAPPING


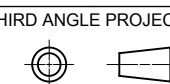
## OPTION 90 (NEAR SIDE - FAR SIDE)

A1-Q10	A2-P10	A3-M10	A4-L10	A5-J10	A6-H10	A7-F10	A8-E10	A9-C10	A10-B10
B1-Q9	B2-N10	B3-M9	B4-K10	B5-J9	B6-G10	B7-F9	B8-D10	B9-C9	B10-A10
C1-P9	C2-N9	C3-L9	C4-K9	C5-H9	C6-G9	C7-E9	C8-D9	C9-B9	C10-A9
D1-Q8	D2-P8	D3-M8	D4-L8	D5-J8	D6-H8	D7-F8	D8-E8	D9-C8	D10-B8
E1-Q7	E2-N8	E3-M7	E4-K8	E5-J7	E6-G8	E7-F7	E8-D8	E9-C7	E10-A8
F1-P7	F2-N7	F3-L7	F4-K7	F5-H7	F6-G7	F7-E7	F8-D7	F9-B7	F10-A7
G1-Q6	G2-P6	G3-M6	G4-L6	G5-J6	G6-H6	G7-F6	G8-E6	G9-C6	G10-B6
H1-Q5	H2-N6	H3-M5	H4-K6	H5-J5	H6-G6	H7-F5	H8-D6	H9-C5	H10-A6
J1-P5	J2-N5	J3-L5	J4-K5	J5-H5	J6-G5	J7-E5	J8-D5	J9-B5	J10-A5
K1-Q4	K2-P4	K3-M4	K4-L4	K5-J4	K6-H4	K7-F4	K8-E4	K9-C4	K10-B4
L1-Q3	L2-N4	L3-M3	L4-K4	L5-J3	L6-G4	L7-F3	L8-D4	L9-C3	L10-A4
M1-P3	M2-N3	M3-L3	M4-K3	M5-H3	M6-G3	M7-E3	M8-D3	M9-B3	M10-A3
N1-Q2	N2-P2	N3-M2	N4-L2	N5-J2	N6-H2	N7-F2	N8-E2	N9-C2	N10-B2
P1-Q1	P2-N2	P3-M1	P4-K2	P5-J1	P6-G2	P7-F1	P8-D2	P9-C1	P10-A2
Q1-P1	Q2-N1	Q3-L1	Q4-K1	Q5-H1	Q6-G1	Q7-E1	Q8-D1	Q9-B1	Q10-A1

NOTE: PINOUTS SHOWN IN BALLOONS ARE GROUNDS.  
PINOUTS SHOWN ARE FOR SQUARE (10 COLUMN) PATTERN ONLY.



**ORTHO OPTION 90**  
NEAR SIDE PIN A1 MAPS  
TO FAR SIDE PIN Q10  
(FOR SQUARE PATTERN)

THIS DRAWING CONTAINS INFORMATION THAT IS PROPRIETARY TO MOLEX ELECTRONIC TECHNOLOGIES, LLC AND SHOULD NOT BE USED WITHOUT WRITTEN PERMISSION													
DIMENSION UNITS		SCALE		CURRENT REV DESC: MIGRATED TO NX									
mm		4:1		 IMPACT 5 PAIR HEADER ORTHOGONAL ASSEMBLY GUIDE LEFT SALES DRAWING PRODUCT CUSTOMER DRAWING									
GENERAL TOLERANCES (UNLESS SPECIFIED)										EC NO: 609931		2018/10/18	
ANGULAR TOL		± 0.5°								DRWN: JKUMARSARAFS		2019/01/02	
4 PLACES		±								CHK'D: RSHIVANANDKE		2019/01/11	
3 PLACES		±								APPR: CWANG25		2019/01/11	
2 PLACES		± 0.13		INITIAL REVISION:				DOCUMENT NUMBER					
1 PLACE		± 0.25		DRWN: JLAURX		4/28/09		SD-76985-002					
0 PLACES		±		APPR: JBINGHAM		2010/01/14		DOC TYPE DOC PART REVISION					
DRAFT WHERE APPLICABLE MUST REMAIN WITHIN DIMENSIONS				THIRD ANGLE PROJECTION		DRAWING		SHEET NUMBER					
						C-SIZE		76985					
SEE CHART		GENERAL MARKET		MATERIAL NUMBER		CUSTOMER		4 OF 4					