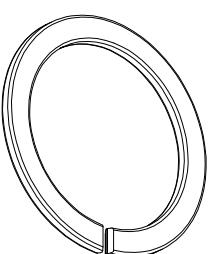
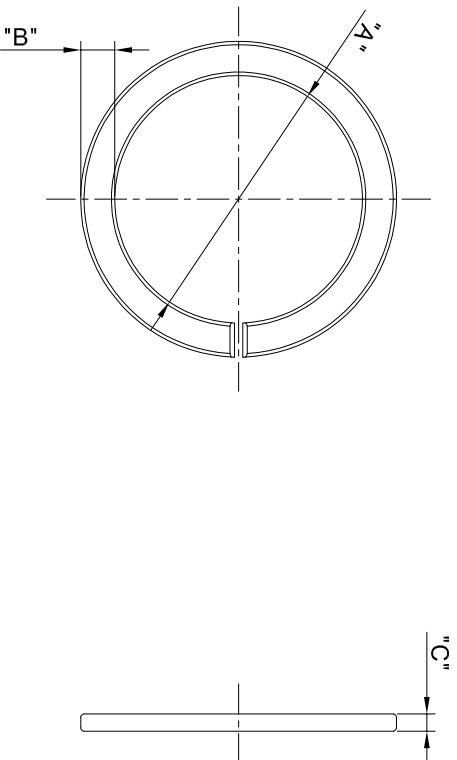


REVISIONS				
REV	ECO	DESCRIPTION	DATE	BY APPR
A1		FIRST RELEASED	Apr.05.2016	Drack Tommy
A2		UPDATE THE NOTES	Jul.20.2016	Drack Tommy
A3		ADD 16# & 18# PART	Nov.22.2017	Nick Tommy



SHELL	P/N	DIM A	DIM B	DIM C
8#	RTS8CCRX	Ø11.2	2.0	1.0
10#	RTS10CCRX	Ø14.5	2.0	1.0
12#	RTS12CCRX	Ø18.5	1.9	1.2
14#	RTS14CCRX	Ø21.7	1.9	1.8
16#	RTS16CCRX	Ø24.2	1.9	1.0
18#	RTS18CCRX	Ø27.6	1.9	1.0

"X" DENOTE COLOR:
 WHEN "X"="G", GREEN, PANTONE 348C.
 WHEN "X"="R", RED, PANTONE 194C.
 WHEN "X"="Y", YELLOW, PANTONE 123C.

NOTES : (UNLESS OTHERWISE SPECIFIED)
 1. MATERIAL : THERMOPLASTIC , UI94 V-0.

2. SPECIFICATIONS :
 2.1. OPERATING TEMPERATURE : -40°C ~ 125°C.
 2.2. ROHS COMPLIANT.

3. ALL DIMENSIONS ARE FOR REFERENCE USE ONLY.

QUANTITY	PART NUMBER	DESCRIPTION	ITEM
MATERIALS LIST			

UNLESS OTHERWISE SPECIFIED			
1) All dimensions are in millimeters.			
2) Tolerances are as follows:			
1 Pt. DEC 40.30	Fractions 1/16"	DRAWN: NIK	DATE: Nov.22.2017
3 Pt. DEC 40.08	Angles 1°	CREATED: Iod	NOV.22.2017
3) Note reference =		ENGINEER: Tommy	APPROVAL: Tommy
MATERIAL SPECIFICATIONS:		CUSTOMER: Tommy	
PROCESS SPECIFICATIONS:			
THIS DRAWING IS SUBJECT TO SPECIFICATIONS AND PERFORMANCE DATA OF THE AMPHENOL CORPORATION. ALL DIMENSIONS ARE TOLERANCES UNLESS OTHERWISE SPECIFIED. ALL DIMENSIONS ARE IN MILLIMETERS UNLESS OTHERWISE SPECIFIED. ALL DIMENSIONS ARE IN MILLIMETERS UNLESS OTHERWISE SPECIFIED. ALL DIMENSIONS ARE IN MILLIMETERS UNLESS OTHERWISE SPECIFIED.			
NEXT ASST:		SCALE: NONE	

ECO-MATE IDENTIFY RING		SIZE	TYPE	DWG NO.	REVISION
SIZE 08, 10, 12, 14, 16, 18		B	C-	RTSXCCRX	A3
Sine Systems - www.amphenol-sine.com		44724 Morley Drive		Clinton Township, MI 48036	
SHEET 1		OF 1			

FILE:ECO-MATE_IDENTIFY_RING_SIZE_08,10,12,14,16,18

DWG NO.: RTSXCCRX

REV: A3

SH: 1

OF: 1