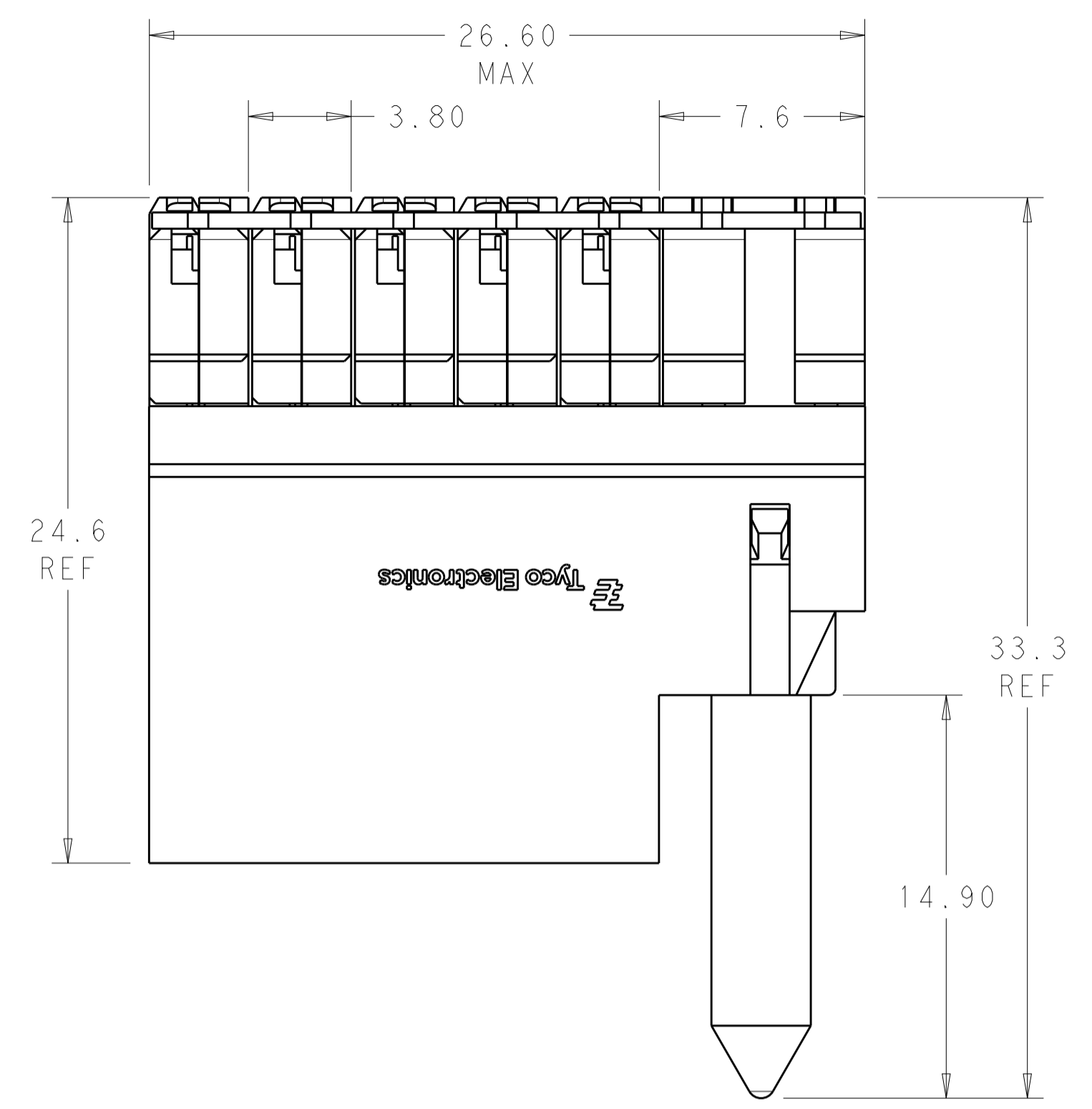
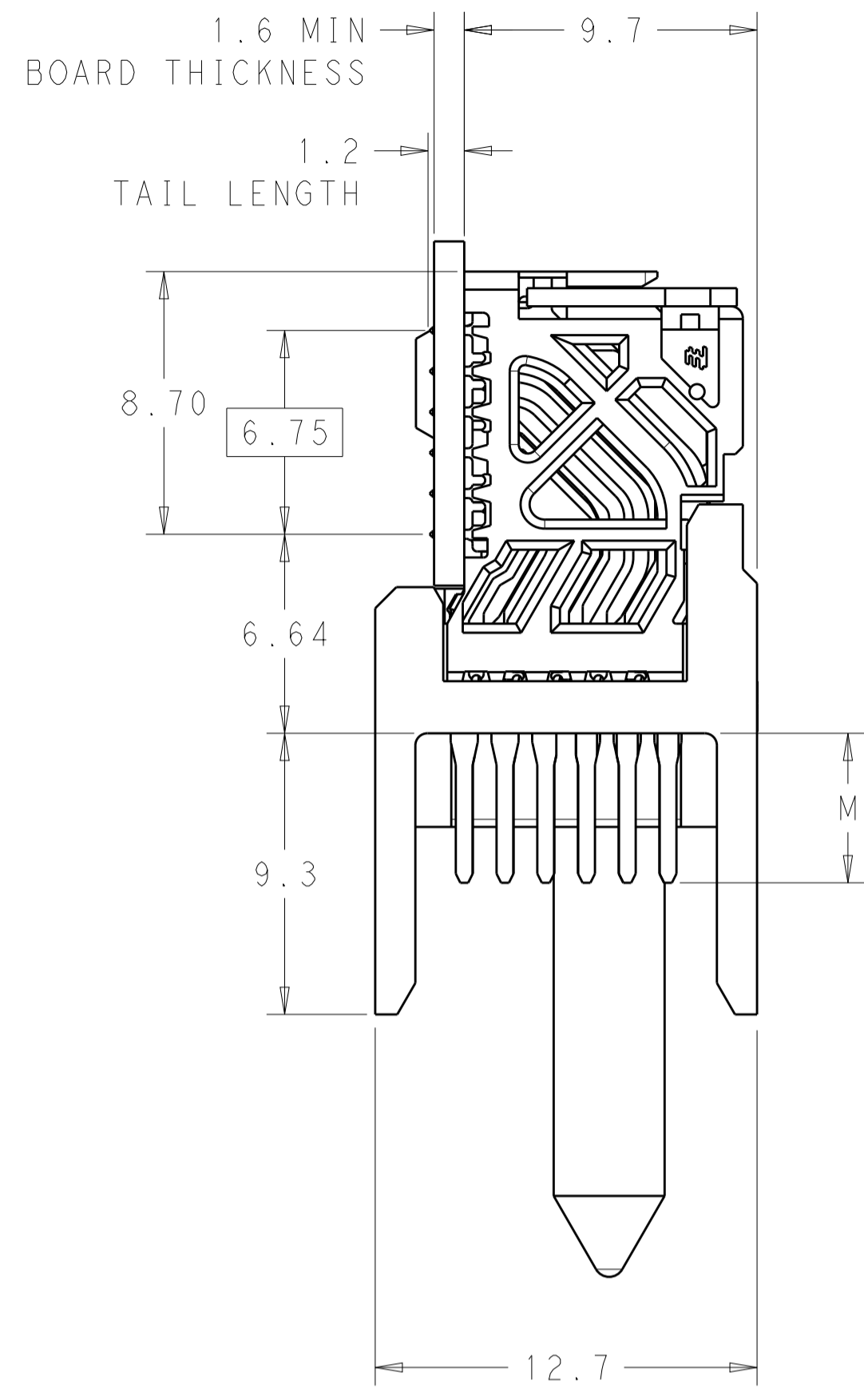
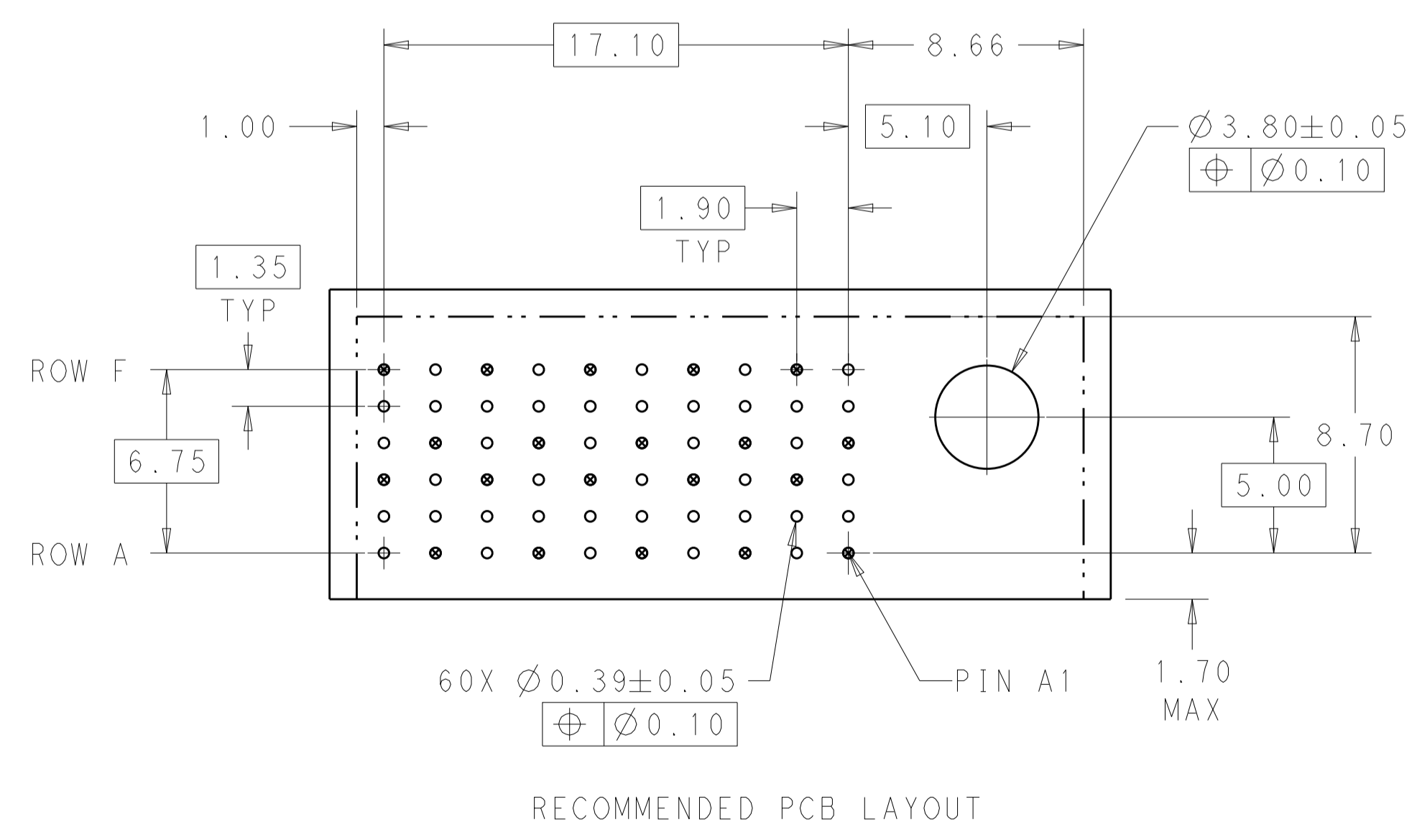
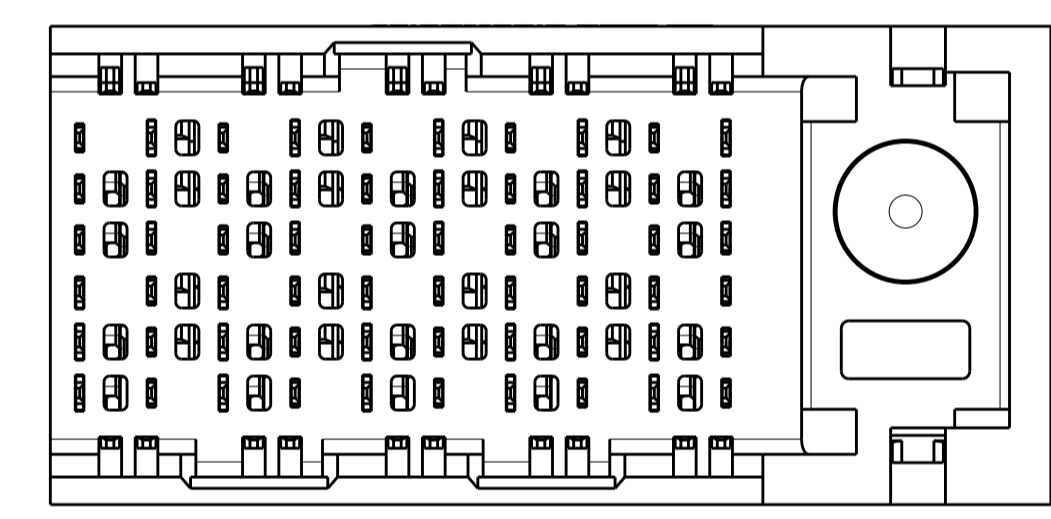
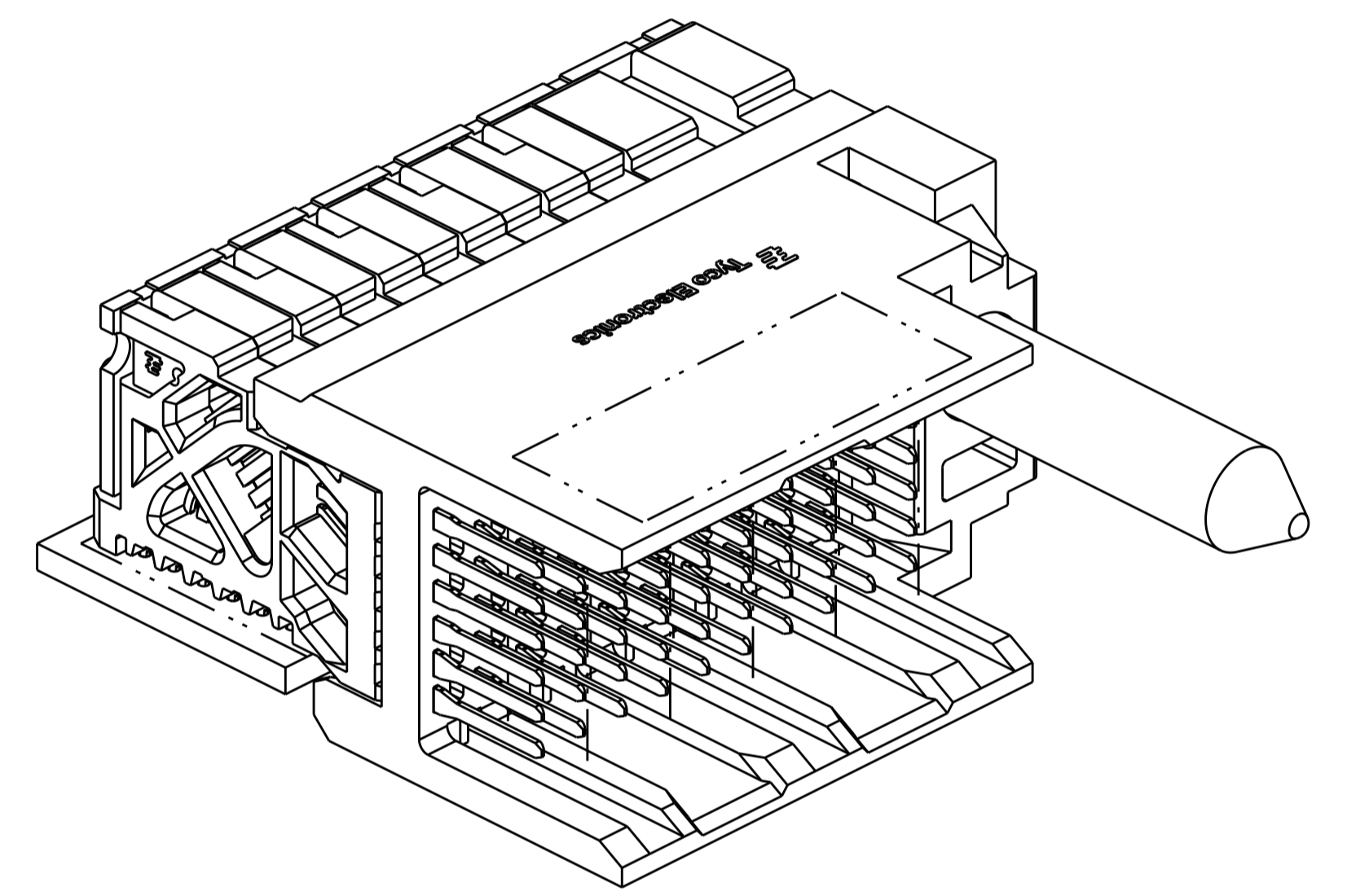


REVISIONS				
P.	LTN.	DESCRIPTION	DATE	APVD.
B1		REVISED PER ECO-15-003239	24MAR2015	AP DD

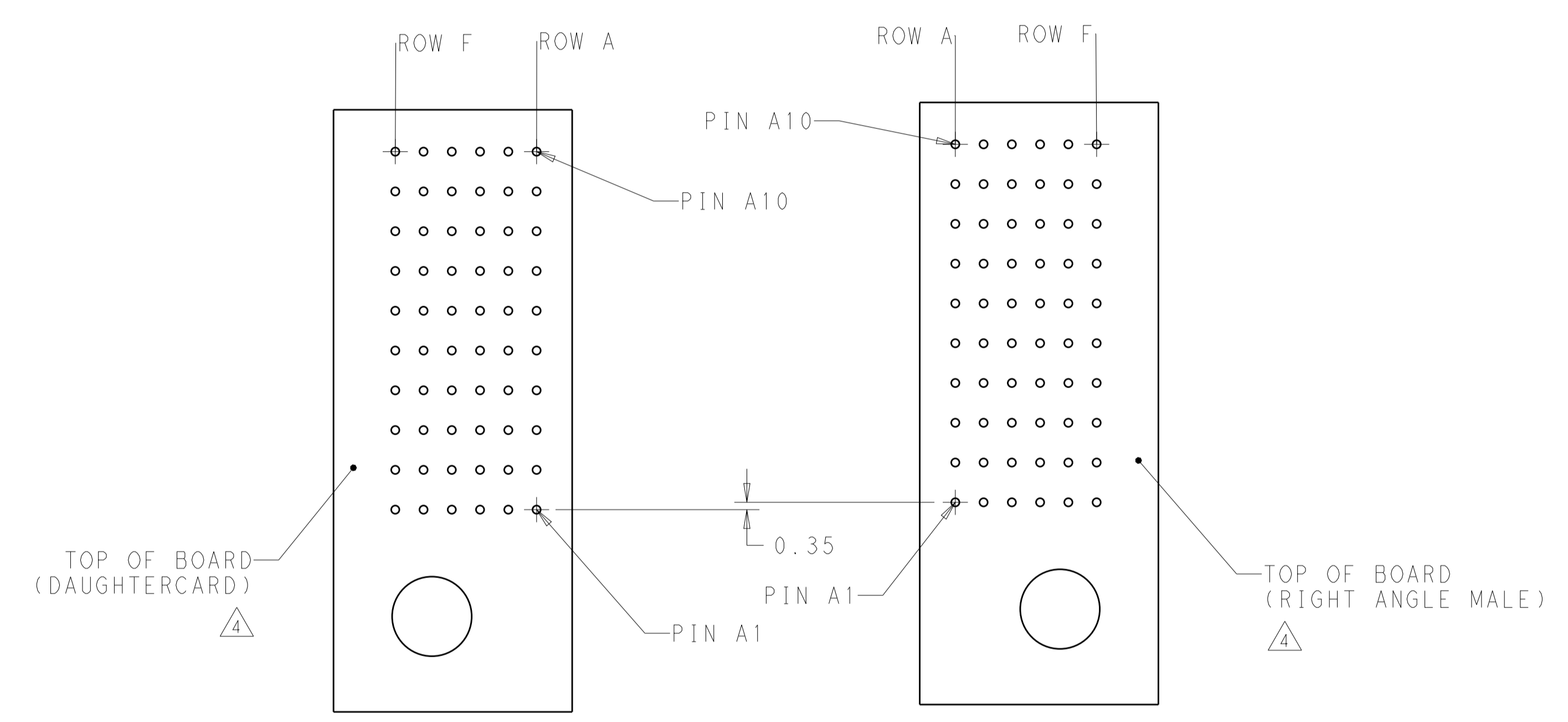


- 1 MATERIAL:  
HOUSING: LCP, GLASS FILLED, UL94V-0.  
TERMINALS: HIGH PERFORMANCE COPPER ALLOY.
- 2 FINISH:  
30µm SELECTIVE GOLD IN CONTACT AREA. SELECTIVE TIN ON PCB TAILS, NICKEL OVERALL.
- 3 FINISH:  
30µm SELECTIVE GOLD IN CONTACT AREA. SELECTIVE TIN-LEAD ON PCB TAILS, NICKEL OVERALL.
- 4 RIGHT GUIDED RIGHT ANGLE MALE MATES TO LEFT GUIDED RIGHT ANGLE RECEPTACLE.
- 5. CONNECTOR SUPPLIED WITH MOUNTING SCREW.



THIS DRAWING IS A CONTROLLED DOCUMENT.		DWN - 06APR2011	<b>STE</b> TE Connectivity
DIMENSIONS: mm		CHK J. EARY 06APR2011	
TOLERANCES UNLESS OTHERWISE SPECIFIED:		APVD J. EARY 06APR2011	NAME: IMPACT, STD, RAM, 2 PAIR, 10 COLUMN, RIGHT GUIDED OPEN END WALL SIGNAL MODULE, 0.39 EYELET
0 PLC ± 1 PLC ±0.25 2 PLC ±0.13 3 PLC ± 4 PLC ± ANGLES ±		PRODUCT SPEC -	SIZE CAGE CODE DRAWING NO. RESTRICTED TO
MATERIAL FINISH SEE TABLE		APPLICATION SPEC -	A100779C=2143018
WEIGHT -		Customer Drawing	SCALE 5:1 SHEET 1 OF 2 REV B1

REVISIONS				
P.	LTN	DESCRIPTION	DATE	APVD
-	-	SEE SHEET 1	-	-



COPLANAR MATED SIGNAL PATHS



△3	5.50	2143018-6
△3	4.90	2143018-5
△2	5.50	2143018-3
△2	4.90	2143018-2
FINISH	DIM M	PART NUMBER

REFER TO WWW.TE.COM FOR PRODUCT AVAILABILITY

THIS DRAWING IS A CONTROLLED DOCUMENT.		DWN - 06APR2011	<b>STE</b> TE Connectivity
DIMENSIONS: mm		CHK J. EARY 06APR2011	
TOLERANCES UNLESS OTHERWISE SPECIFIED:		APVD J. EARY 06APR2011	NAME IMPACT, STD, RAM, 2 PAIR, 10 COLUMN, RIGHT GUIDED OPEN END WALL SIGNAL MODULE, 0.39 EYELET
0 PLC ±0.25		PRODUCT SPEC	SIZE CAGE CODE DRAWING NO
1 PLC ±0.13		APPLICATION SPEC	A100779C=2143018
2 PLC ±0.13		RESTRICTED TO	Customer Drawing
3 PLC ±0.13		WEIGHT	SCALE 5:1 SHEET 2 OF 2 REV B1
4 PLC ±0.13		ANGLES	
FINISH			
SEE TABLE			