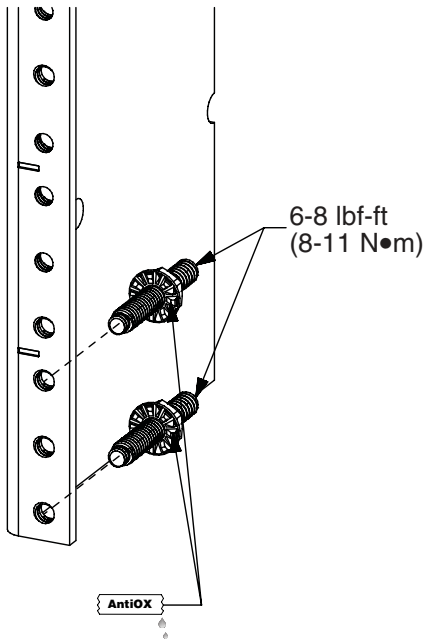


INSTALLATION INSTRUCTIONS T-PMPI-270-PC

CGK630U, CGK630UA, CGR630U, CGR630UA, CGJxxxU, CGJxxxUA, RGSxxx, RGSxxxA

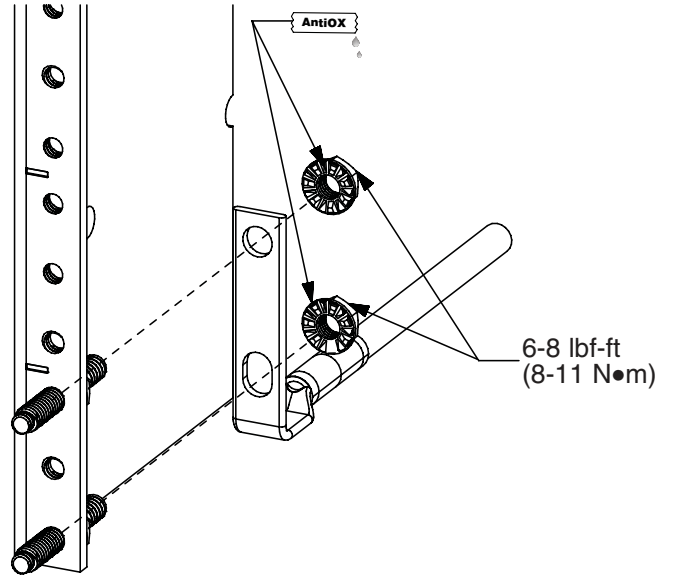
1

CGK630U, UA
CGR630U, UA
CGJxxxU, UA



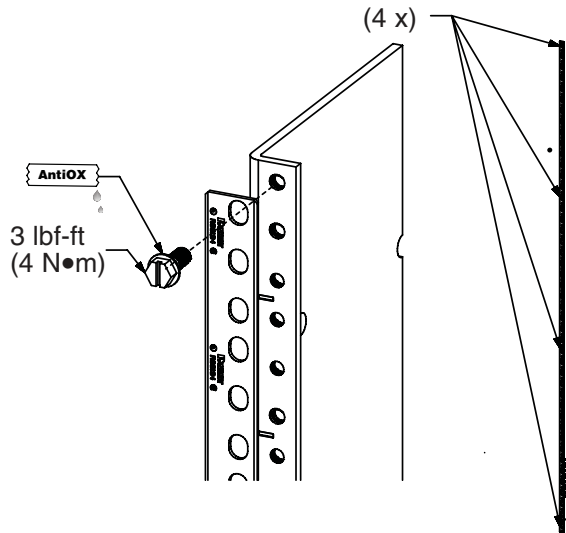
2

CGK630U, UA
CGR630U, UA
CGJxxxU, UA



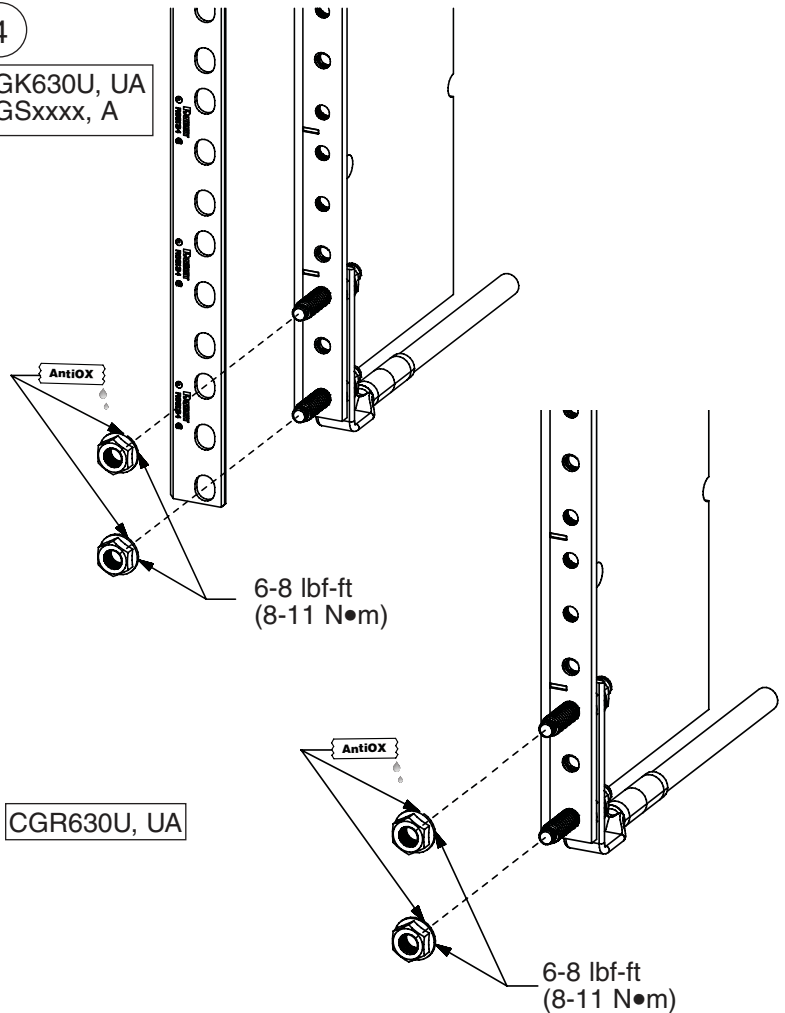
3

CGK630U, UA
RGSxxxx, A



4

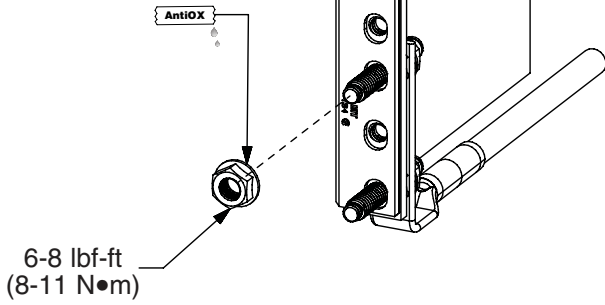
CGK630U, UA
RGSxxxx, A



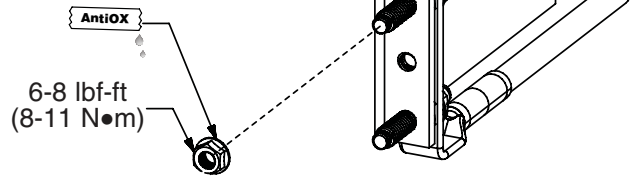
INSTALLATION INSTRUCTIONS T-PMPI-270-PC

5

CGK630U, UA
RGSxxxx, A

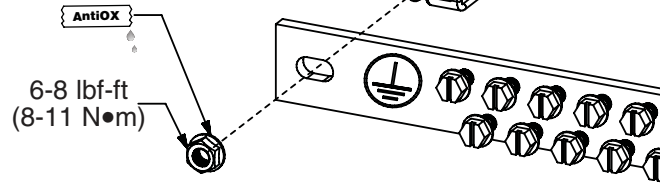


CGR630U, UA

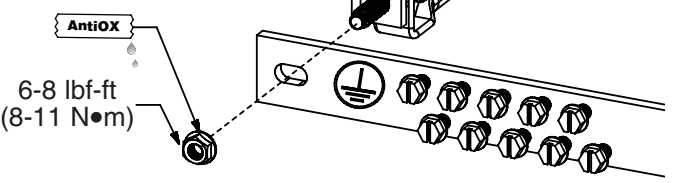


6

CGK630U, UA

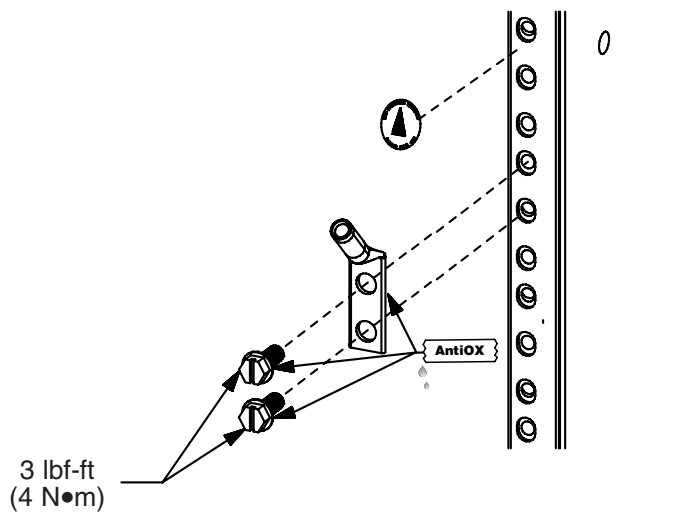


CGR630U, UA



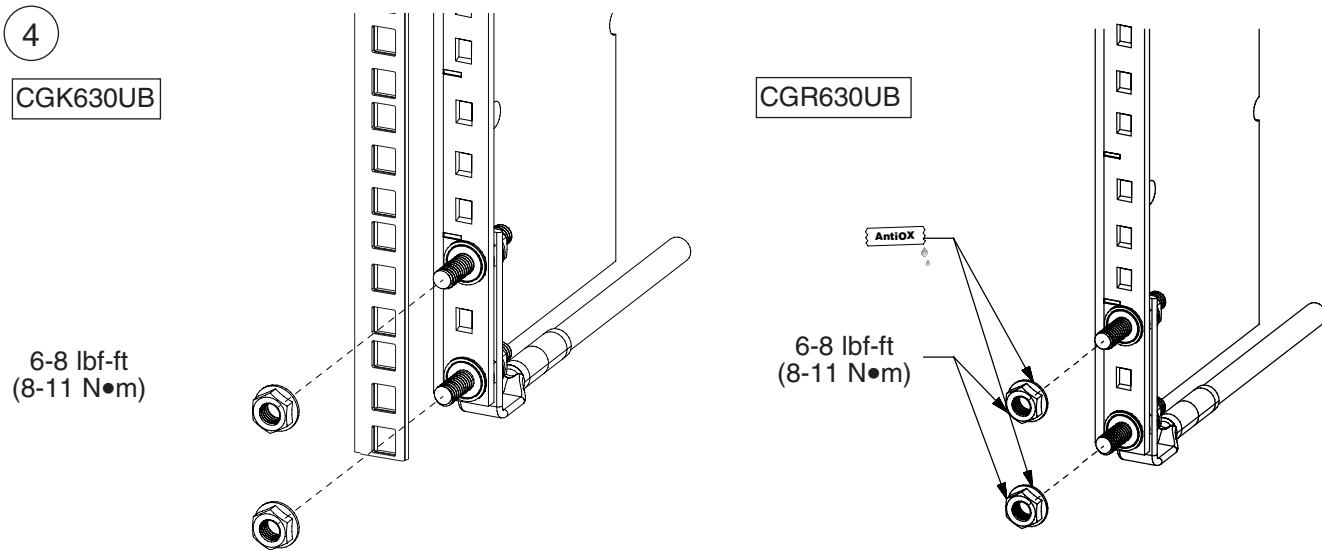
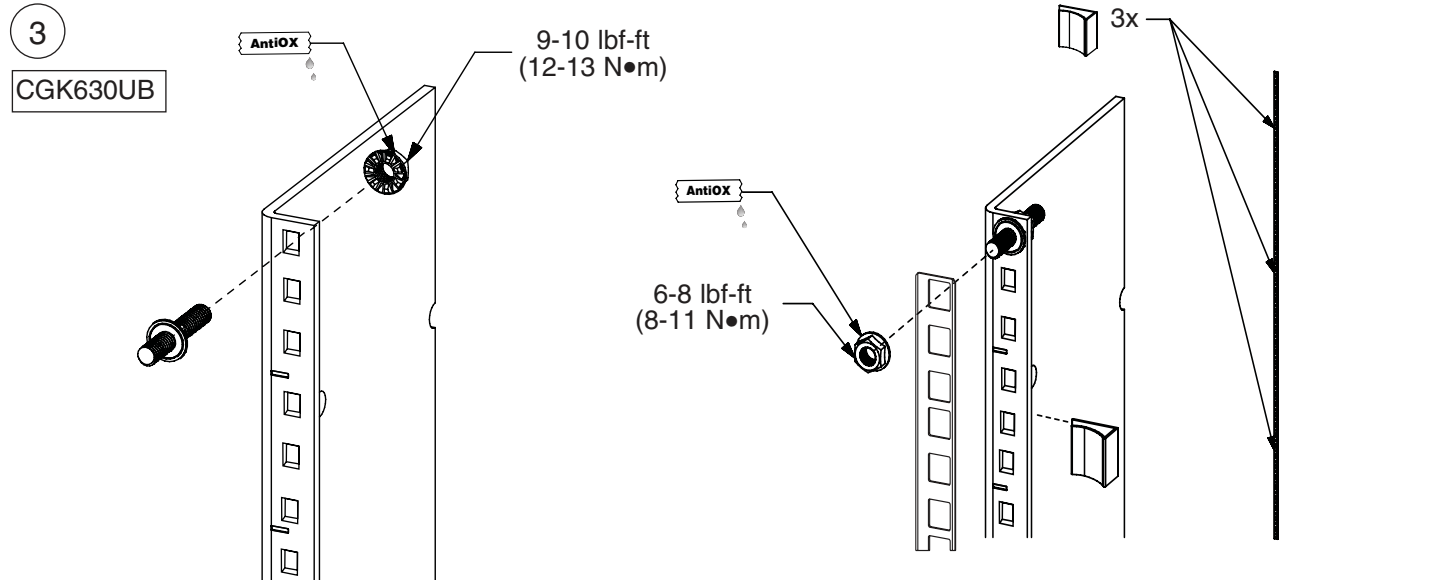
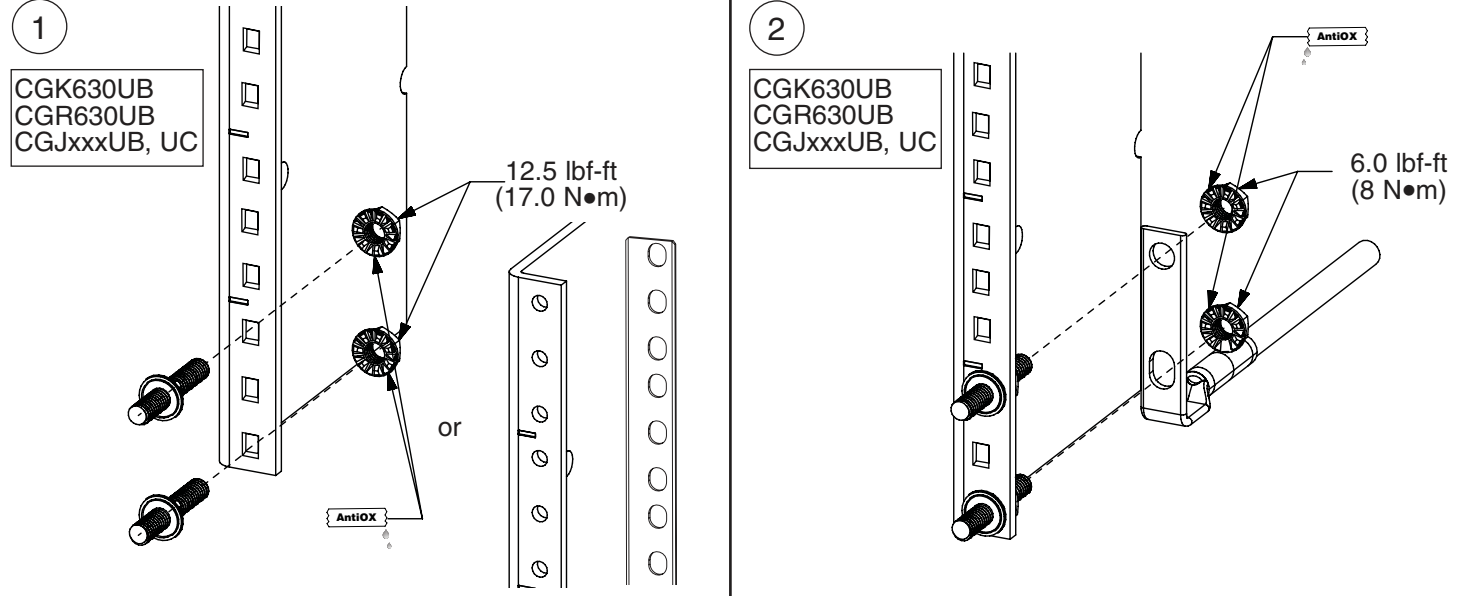
7

CGK630U, UA



INSTALLATION INSTRUCTIONS T-PMPI-270-PC

CGK630UB, CGR630UB, CGJxxxUB, CGJxxxUC, RGSxxxxC, THSK4, THSK8

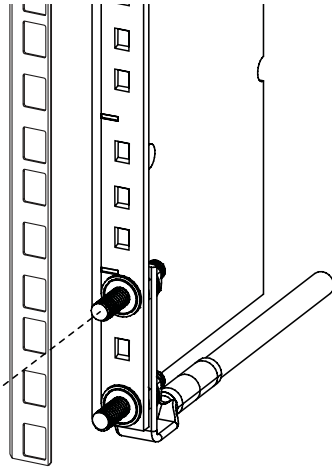


INSTALLATION INSTRUCTIONS T-PMPI-270-PC

5

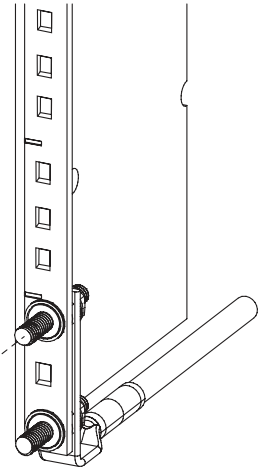
CGK630UB

AntiOX
6-8 lbf-ft
(8-11 N•m)



CGR630UB

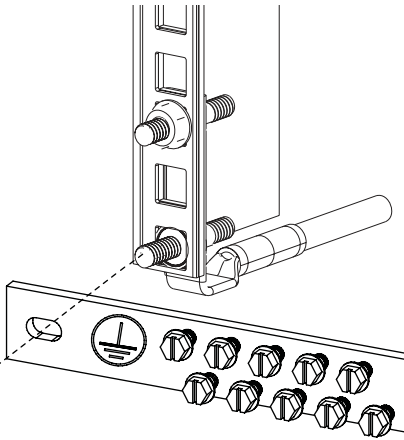
AntiOX
6-8 lbf-ft
(8-11 N•m)



6

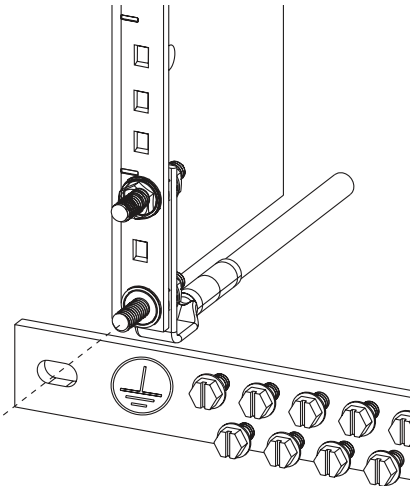
CGK630UB

AntiOX
6-8 lbf-ft
(8-11 N•m)



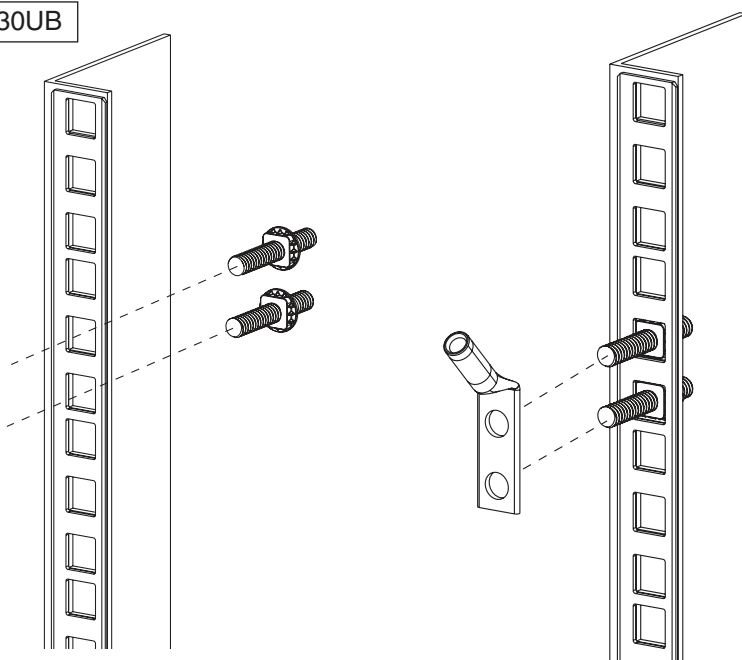
CGR630UB

AntiOX
6-8 lbf-ft
(8-11 N•m)

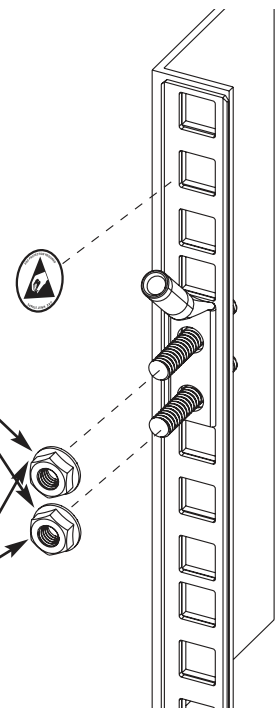


7

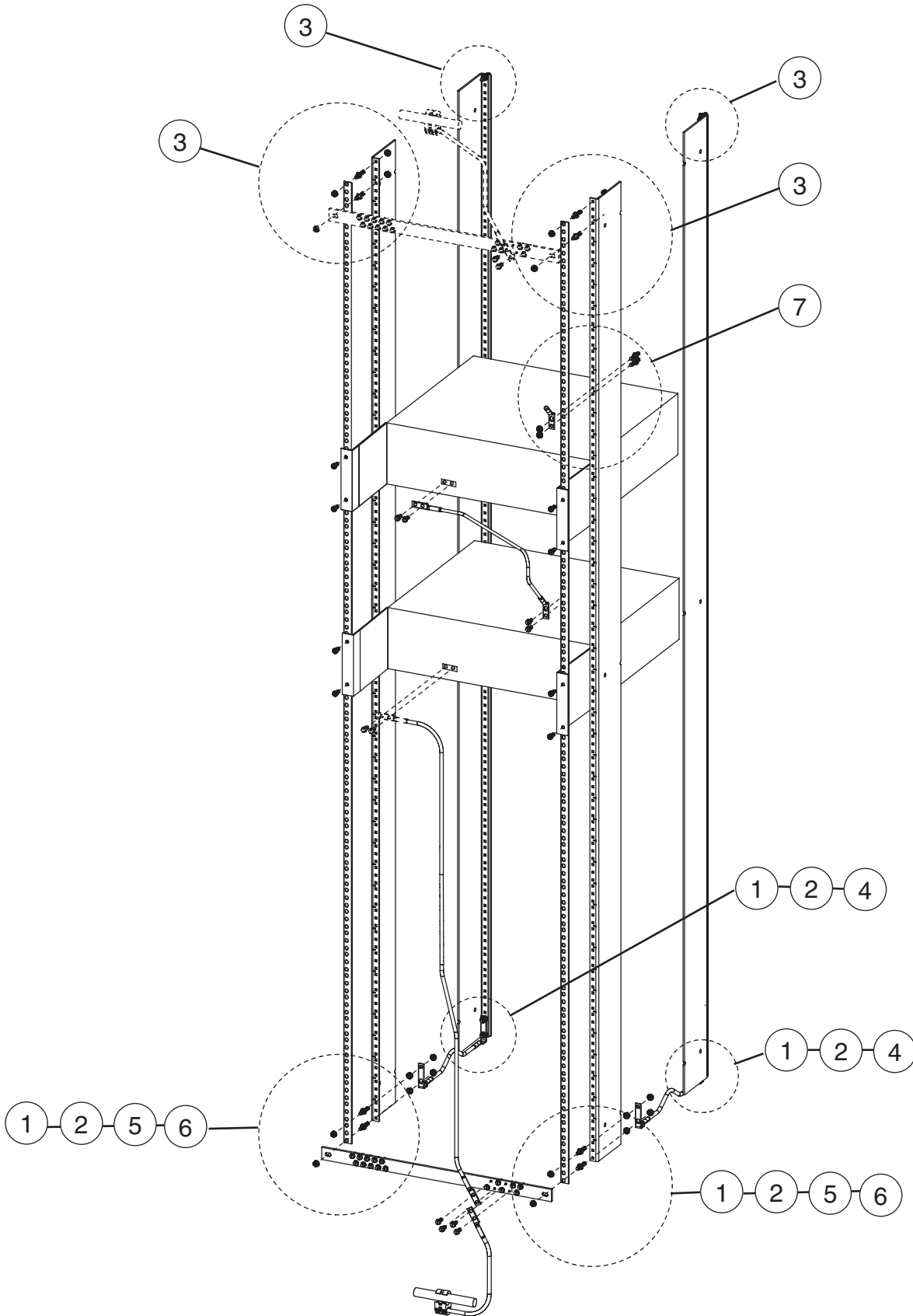
CGK630UB



AntiOX
9.5 lbf-ft
(13 N•m)



INSTALLATION INSTRUCTIONS T-PMPI-270-PC



For Instructions in Local Languages
and Technical Support:

http://www.panduit.com/resources/install_maintain.asp



www.panduit.com

E-mail:
cs@panduit.com

Fax:
(815)485-5839