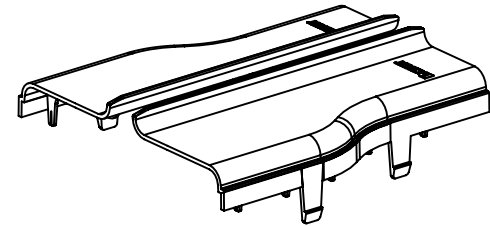
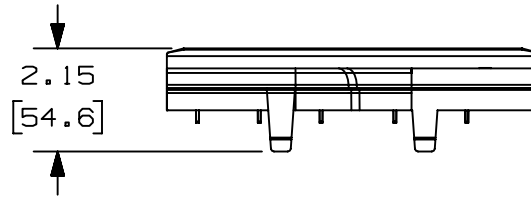
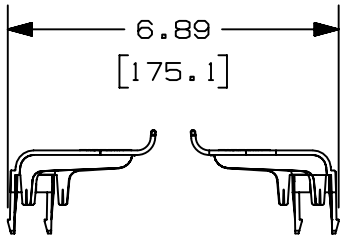
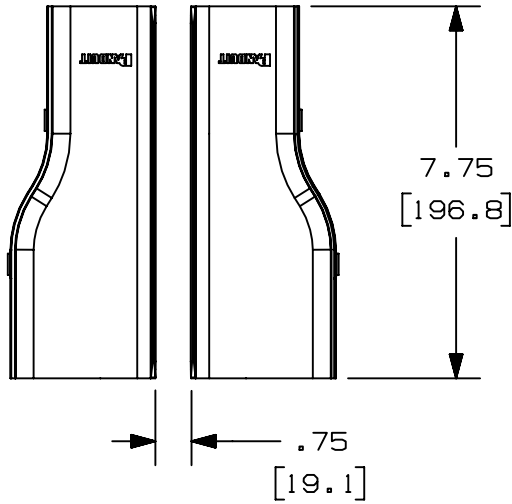


THIS COPY IS PROVIDED ON A RESTRICTED BASIS AND IS NOT TO BE USED IN ANY WAY DETRIMENTAL TO THE INTERESTS OF PANDUIT CORP.

NOTES:

1. SEE CURRENT CATALOG FOR ADDITIONAL PART SUFFIXES TO INDICATE COLOR AND/OR PACKAGE QUANTITY.
2. THE FIBERRUNNER 6x4 TO FIBERRUNNER 4x4 REDUCER SPLIT COVER REQUIRES NO TOOLS FOR INSTALLATION AND/OR REMOVAL. THE SPLIT COVER CREATES A 3/4" (19.1) RADIUS OPENING TO ALLOW FOR NEW CABLES TO BE ADDED WITHOUT THE NEED FOR REMOVING THE COVERS.
3. DIMENSIONS IN PARENTHESES ARE IN METRIC.



PANDUIT PART NUMBER	WEIGHT	MATERIAL
FRRF6FR4SC	0.24 LB/EACH (111g/EACH)	ABS
FRRF6FR4SCL	0.24 LB/EACH (111g/EACH)	PC/ABS

TITLE FIBERRUNER 6x4 TO FIBERRUNNER 4x4 REDUCER SPLIT COVER (FRRF6FR4SC, FRRF6FR4SCL)						
CUSTOMER DRAWING						
ITEM REVISION NAME D37847DE/01					PANDUIT	
DATASET FILE NAME D37847DE_DC/02B						
MATERIAL: SEE PART NUMBER TABLE ABOVE						
DRAWING NUMBER: 37847-70					THIRD ANGLE PROJECTION	
DRAWN BY JHNU	DATE 7/18/01	CHK HIW	SCALE NONE	SHT 1 OF 1		

REV	DATE	BY	CHK	APR	DESCRIPTION	ECN
02B	10/19/20	MEX-JAGC	DWR	DWR	ADDED PART NUMBER, REVISED DRAWING TEMPLATE	V09002DZ/15
-	---	---	---		F. REVISED PART WEIGHT	---
-	---	---	---		D. REVISED CADFILE NAME E. REVISED GENERAL NOTES	---
2	7/13/06	DTP	RN		C. REVISED DRAWING TITLE B. REVISED AND REDRAWN	37847-70

D10100DA/20