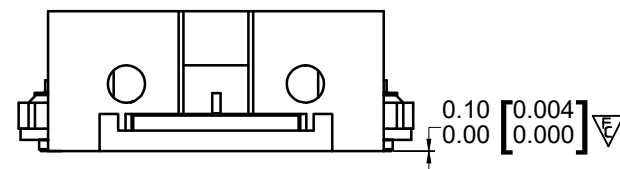
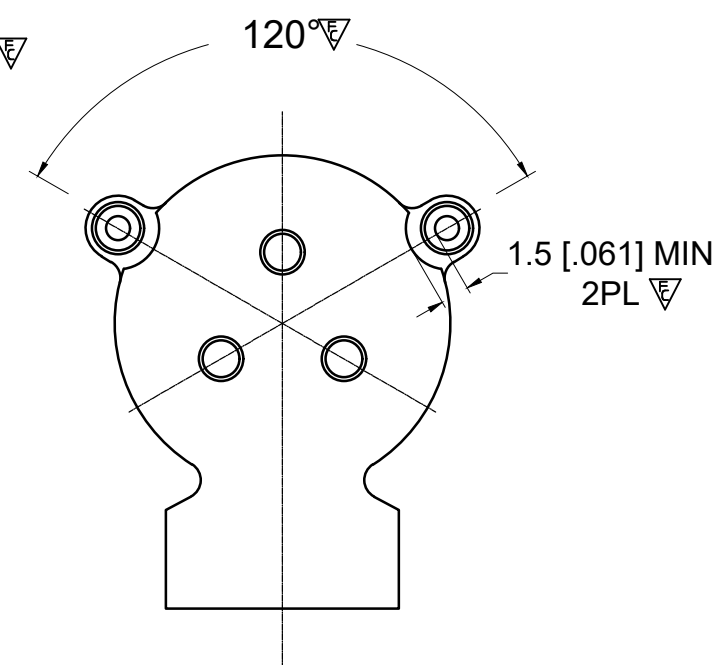
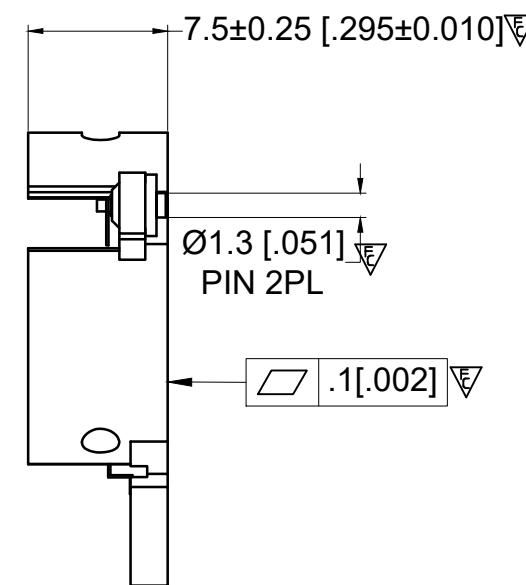
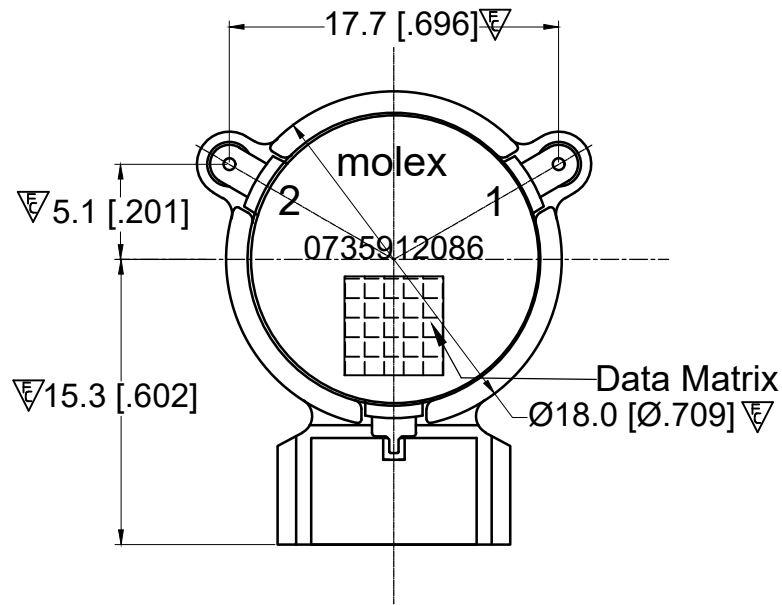
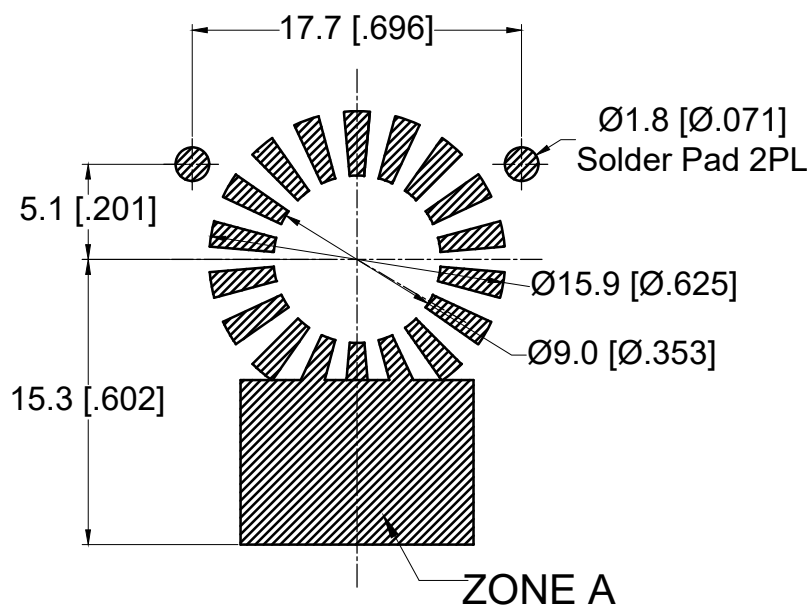


RECOMMENDED LAND PATTERN :

Zone A must be attached to heat sink. Thermal conductivity of intermediate layers between Zone A and heat sink must be better than 0.1 W / [°C x mm].



ELECTRICAL SPECIFICATION :

Frequency Range	: 1805 to 1880 MHz
Isolation (In Band)	: 28 dB Min
Insertion Loss	: 0.18 dB Max
FWD Power	: 150W (CW)
Peak Power	: 1000 W
REV Power	: 60 W
Return Loss	: 25 dB Min
IMD (2 x 65 W, 1 MHz space)	: -70 dBc Max
2nd Harmonics	: 10 dBc
3rd Harmonics	: 5 dBc
Operating Temperature	: -40°C to +120°C
+120°C to +130°C	: power capacity and reliability no change , other spec.reduce 10%
Storage Temperature	: -40°C to +130°C
Direction	: CCW

BODY: CARBON STEEL, SILVER PLATED
RIGID PINS: COPPER, SILVER PLATED

NOTES:

- STANDARD INPUT/OUTPUT IMPEDANCE 50 OHM
- LEAD FREE, NO ND MATERIAL, BEO FREE
- THE DIMENSION OF THE DATA MATRIX IS 5.3MM*5.3MM, INFORMATION INCLUDED WORK ORDER NUMBER-SERIAL NUMBER-MATERIAL NUMBER
- THIS PART COMPLIES WITH ALL ROHS REQUIREMENTS.

ENG PART#: 811-180-188-WC140

FUNCTIONAL SYMBOLS	THIS DRAWING CONTAINS INFORMATION THAT IS PROPRIETARY TO MOLEX ELECTRONIC TECHNOLOGIES, LLC AND SHOULD NOT BE USED WITHOUT WRITTEN PERMISSION		CURRENT REV DESC:		molex
	DIMENSION UNITS	SCALE	RELEASE TO PROD		
▽=0	MM	1:1			SMSJ ISOLATOR/1805~1880MHZ/CCW
▽=0	GENERAL TOLERANCES (UNLESS SPECIFIED)				
▽=0			EC NO: 696580		RESTRICTED PRODUCT CUSTOMER DRAWING
			DRWN: SREN05	2022/02/21	
			CHK'D: JLI252	2022/02/23	DOCUMENT NUMBER
			APPR: HWANG186	2022/03/01	
DIVISIONAL SYMBOLS			INITIAL REVISION:		735912086
			DRWN: SREN05	2021/12/08	
			APPR: HWANG186	2022/03/01	PSD 000 A
			DRAFT WHERE APPLICABLE MUST REMAIN WITHIN DIMENSIONS	THIRD ANGLE PROJECTION	DRAWING
					SERIES
					MATERIAL NUMBER
					CUSTOMER
					SHEET NUMBER

DOCUMENT STATUS	P1	RELEASE DATE	2022/03/01	06:07:30
-----------------	----	--------------	------------	----------