

PART NAME: KNOB

SCALE: 1:1

DATE: 8/10/72

DR. BY NH

THIS DRAWING IS THE PROPERTY OF DAVIES MOLDING COMPANY, IS SUBMITTED SOLELY AS A DESIGN OR ENGINEERING PROJECT. WE ACCEPT NO RESPONSIBILITY WHATSOEVER FOR THE PRACTICAL APPLICATION OF THE PIECES MADE TO THIS DESIGN.

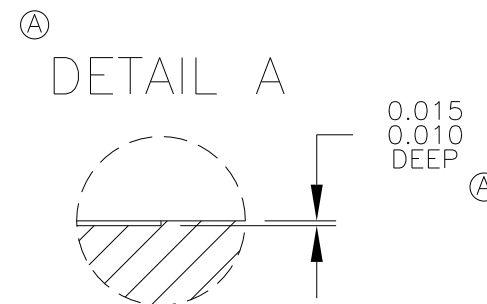
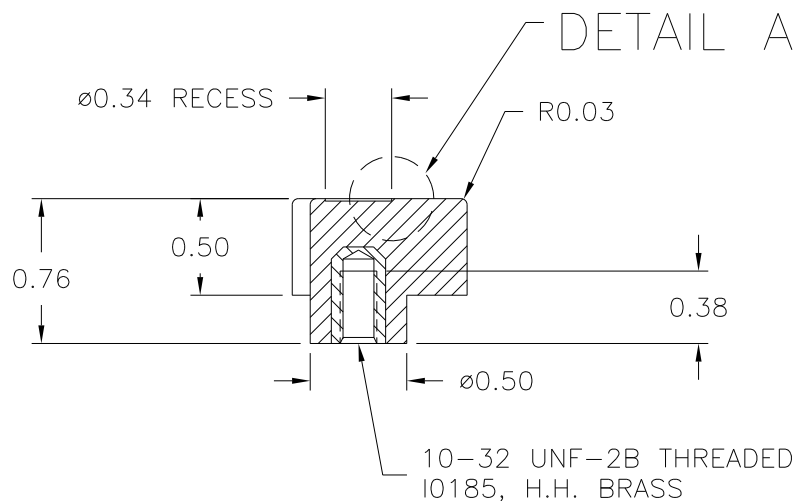
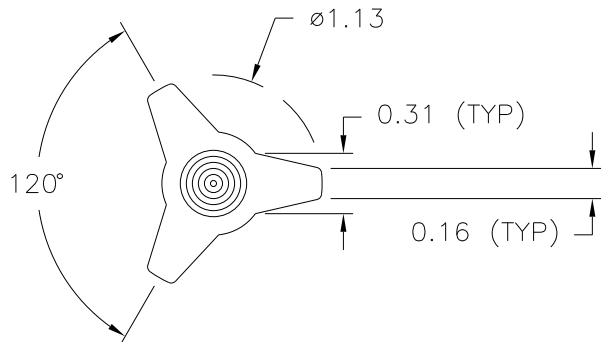


DESIGNERS & MANUFACTURERS OF KNOBS, HANDLES, CASES & CUSTOM PLASTIC COMPONENTS

P/N 3025BB

M^{NO.} 3025

| | |
|-------------|-------------|
| CAVITY | 3025 |
| PLUNGER | 3025 |
| PLUNGER PIN | 3025-A |
| PINS | 3025&3025-B |
| SHIMS | 1/4 + 1/8 |
| INSERT | I0185 |



MATERIAL: G.P. PHENOLIC (B11)
COLOR: BLACK

| | | | | | |
|---|----------------------------------|---|--|----|----------|
| TOLERANCES: UNLESS OTHERWISE SPECIFIED | DO NOT SCALE DRAWING | A | ADDED DETAIL VIEW, 0.010-0.015 WAS 0.125 | DS | 5/19/06 |
| DECIMALS: X.XXX ± .005 X.XX ± .015 | MM: X.XX ± 0.15MM X.X ± 0.4MM | - | RE-DID REDRAW | TL | 11/16/99 |
| FRACTIONS ± 1/64 | ANG. ± 1° | - | CAD REDRAW | HD | 6/17/97 |
| CHANGES | | | | | |