

1

2

3

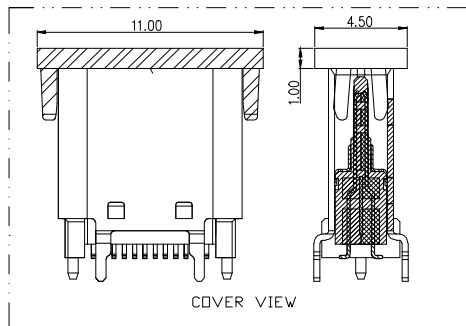
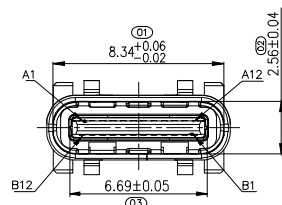
4

5

6

7

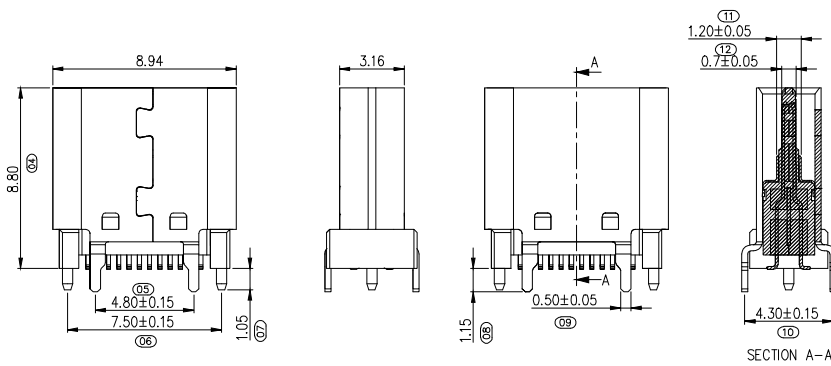
A



NOTES:
 1.MATERIAL:
 1.1 HOUSING: LCP+30%GF UL94V-0 BLACK
 1.2 CONTACT: C7025 T=0.15mm
 Au PLATED ON CONTACT AREA & G/F SOLDER AREA PLATED OVER 50u" min NI
 1.3 SHELL: SUS304 T=0.30mm 50U" MIN NI PLATED OVERALL
 1.4 MID PLATE: SUS301 T=0.15mm
 2.SPECIFICATION:
 2.1 CURRENT RATING: 5A
 2.2 CONTACT RESISTANCE: 40mΩ MAX(initial value)
 50mΩ MAX(after test)
 2.3 INSULATION RESISTANCE: 100MΩ MIN
 2.4 WITHSTANDING VOLTAGE: 100V AC R.M.S.
 2.5 INSERTION FORCE: 5-20N INSERTION FORCE= 5-20N (after test)
 UNMATING FORCE: 8-20N UNMATING FORCE= 6-20N (after test)
 2.6 DURABILITY: 10000CYCLES
 2.7 HIGH TEMPERATURE RESISTANCE SMT reflow soldering (peak 260±5), plastic can not have blister,
 Poor melting glue, discoloration, warping deformation within the tolerance range ;
 2.8 THE PRODUCT SHALL BE TESTED FOR SOLDERING AND THE SOLDERING AREA SHALL REACH MORE
 THAN 95%
 2.9 Salt spray: 24H min
 3. OPERATING TEMPERATURE: -30℃~+85℃

B

C



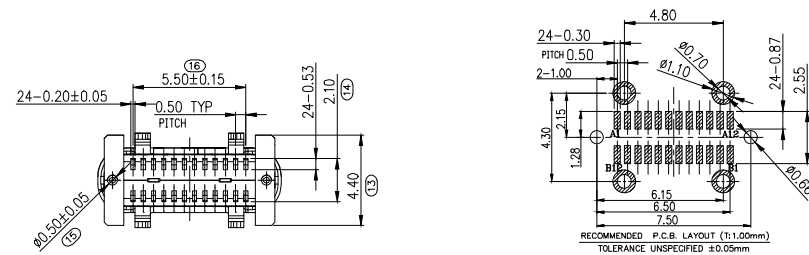
ORDER CODE:
 A-USBC-32F1-EG-xSR08

G: CONTACT AREA Au 1u" min
 H: CONTACT AREA Au 30u" min

D

	Signal Name		Signal Name
A1	GND	B12	GND
A2	SSTXp1	B11	SSRXp1
A3	SSTXn1	B10	SSRXn1
A4	VBUS	B9	VBUS
A5	CC1	B8	SBU2
A6	Dp1	B7	Dn2
A7	Dn1	B6	Dp2
A8	SBU1	B5	CC2
A9	VBUS	B4	VBUS
A10	SSRXn2	B3	SSTXn2
A11	SSRXp2	B2	SSTXp2
A12	GND	B1	GND

E



F

G

RoHS compliant
 Unit: mm

Scale	Free	Date	Name	Description: USB Connector	
	TOLERANCE			Drawn	08.06.2022
X.X	±0.35	Approved	08.06.2022	Luca	ASSMANN WSW-No.
X.XX	±0.25				A-USBC-32F1-EG-xSR08
X.XXX	±0.15	Drawing-No.		ASS 9321 CO rev00	
DIM	TOL	Customer-No.		Sheet 1/2	
X°	±2°	① Drawn	08.06.2022	Luca	
Id.	Modification	Date	Name		

H

1

2

3

4

5

6

7

SV5151

1

2

3

4

5

6

7

A

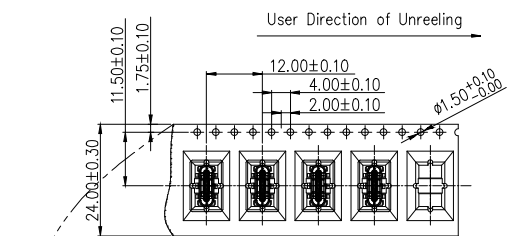
B

C

D

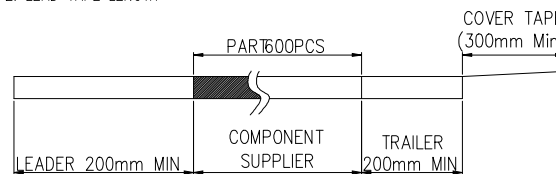
E

F

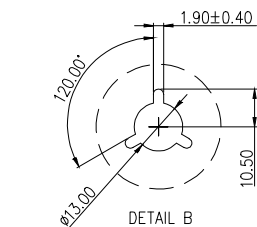
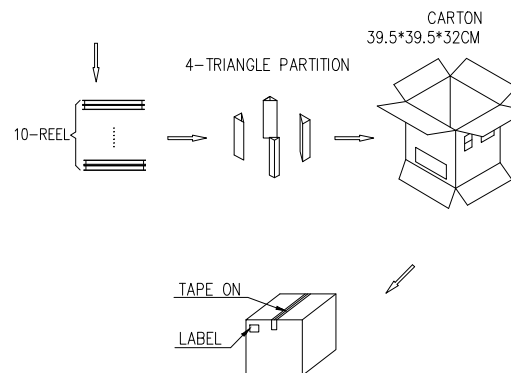
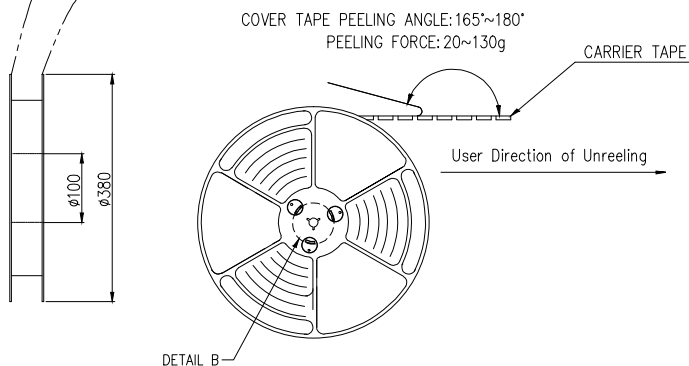


NOTES

- 1. NUMBER OF CONNECTORS: 600PCS/REEL
- 2. LEAD TAPE LENGTH



3. QUANTITY: 6000PCS/CARTON



RoHS compliant
Unit: mm

Scale Free

TOLERANCE

X.X ±0.35

X.XX ±0.25

X.XXX ±0.15

DIM TOL

X° ±2°

Drawn	08.06.2022	Luca
Id.	Modification	Date Name



Date Name

Drawn 08.06.2022 Luca

Approved 08.06.2022 Luca

Description: USB Connector
USB3.2 GEN1 TYPE C / FEMALE / 24pin / Vertical

ASSMANN WSW-No.
A-USBC-32F1-EG-xSR08

Drawing-No.
ASS 9321 CO rev00

Customer-No. Sheet 2/2

1

2

3

4

5

6

7