

MATERIALS AND FINISHES

BODY, JAM NUT, CRIMP TUBE BRASS  
PLATED NICKEL

CENTER CONTACT BERYLLIUM COPPER  
PLATED GOLD

INSULATOR TEFLON

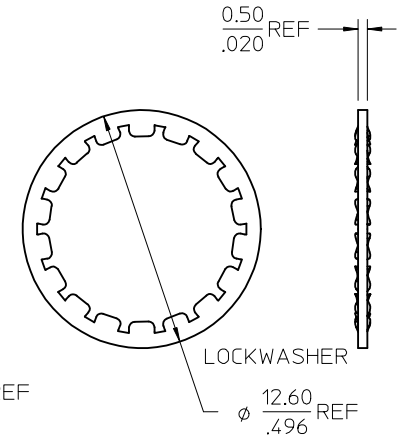
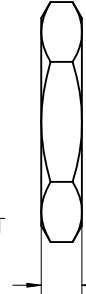
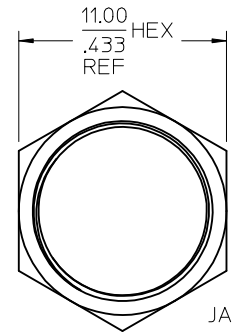
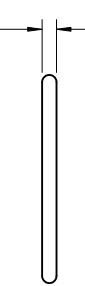
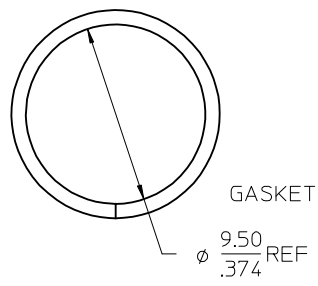
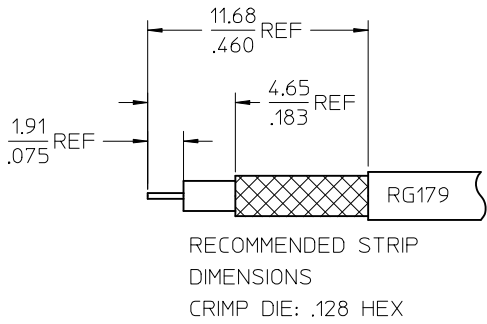
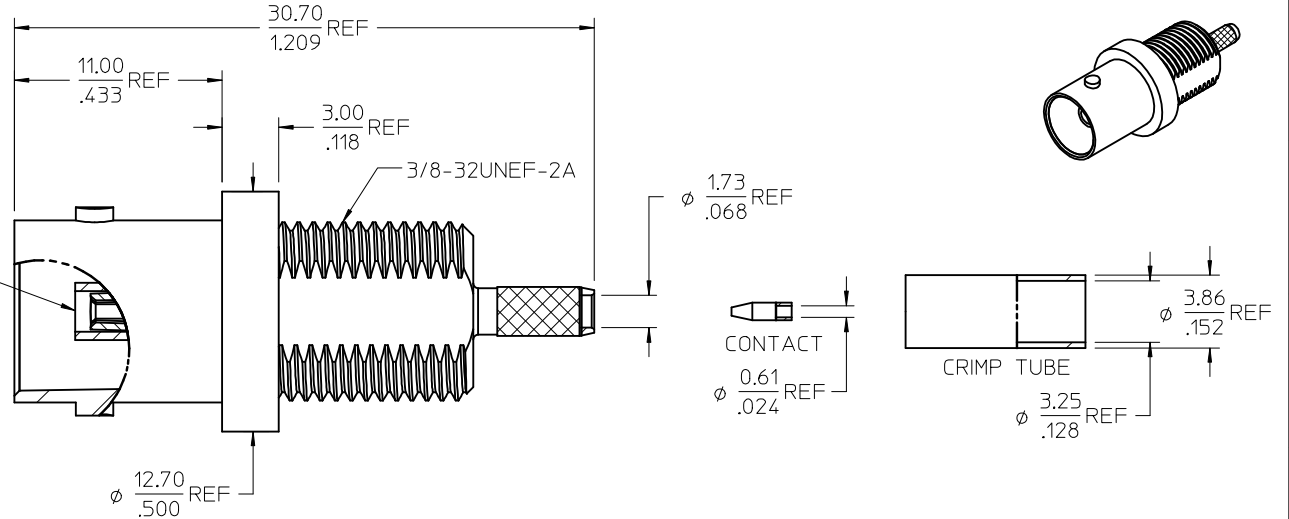
REAR CONTACT BRASS  
PLATED GOLD

GASKETS SILICONE RUBBER

LOCKWASHER PHOSPHOR BRONZE  
PLATED NICKEL

PACKAGING: BY TRAY

BNC JACK  
NON-STANDARD  
INTERFACE  
MEETS  
IEC 61010-1  
CLAUSE 6.2.3  
(WILL MATE  
WITH STANDARD  
BNC PLUG)



PART # 73171-2970

HARDWARE BULK PACKAGING:  
O-RING, JAM NUT, & LOCKWASHER  
PACKAGED IN SEPARATE BAGS 125 PCS EACH.

IP68	SEALING
AS-89511-0390	ASSEMBLY INSTRUCTION
SPECIFICATION	DESCRIPTION

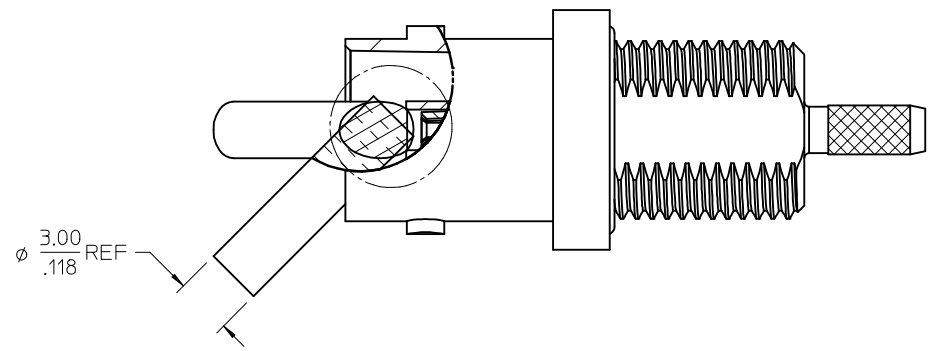
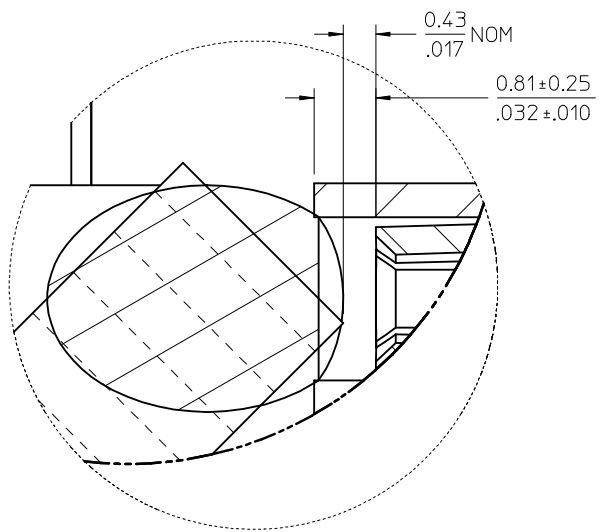
CHG: ADDED PKG BY TRAY PER SAP PER RF16-E156	EC NO: URF2017-0139	2016/09/19
	DRWN: CWE102	2016/09/19
A4	CHKD:	
	APPR: YCHENG	2016/10/03

QUALITY SYMBOLS	GENERAL TOLERANCES (UNLESS SPECIFIED)
▽=0	mm INCH
▽=0	4 PLACES ± --- ± ---
	3 PLACES ± --- ± ---
	2 PLACES ± --- ± ---
	1 PLACE ± --- ± ---
	ANGULAR ± 2 °

DRAWN BY	DATE
AZR	2007/01/17
CHECKED BY	DATE
SSS	2007/01/17
APPROVED BY	DATE
JDW	2007/01/17
MATERIAL NO.	DOCUMENT NO.
731712970	SD-73171-297

SCALE	DESIGN UNITS	THIRD ANGLE PROJECTION
	METRIC	

TITLE		SHEET NO. 1 OF 2
BNC JACK, NON-STANDARD INTERF RG179 IP68 75 OHM EWR-3276, BNC-JC/BK		
MOLEX INCORPORATED		
THIS DRAWING CONTAINS INFORMATION THAT IS PROPRIETARY TO MOLEX INCORPORATED AND SHOULD NOT BE USED WITHOUT WRITTEN PERMISSION		



CHG: SEE SHT 1.	2016/09/19
EC NO: URF2017-0139	
DRWN: CWE102	
CHKD:	
APPR: YCHENG	2016/10/03
REV	DESCRIPTION
A4	

QUALITY SYMBOLS	GENERAL TOLERANCES (UNLESS SPECIFIED)
▽=0	
▽=0	
	mm INCH
	4 PLACES ± --- ± ---
	3 PLACES ± --- ± ---
	2 PLACES ± --- ± ---
	1 PLACE ± --- ± ---
	ANGULAR ± 2 °
	DRAFT WHERE APPLICABLE MUST REMAIN WITHIN DIMENSIONS

DIMENSION STYLE	
MM/IN	
DRAWN BY	DATE
AZR	2007/01/17
CHECKED BY	DATE
SSS	2007/01/17
APPROVED BY	DATE
JDW	2007/01/17
MATERIAL NO.	
SEE SHEET 1	
SIZE	
C	

SCALE	DESIGN UNITS	THIRD ANGLE PROJECTION
	METRIC	
TITLE		
BNC JACK, NON-STANDARD INTERF RG179 IP68 75 OHM EWR-3276, BNC-JC/BK		
MOLEX INCORPORATED		SHEET NO.
DOCUMENT NO.		2 OF 2
SD-73171-297		
THIS DRAWING CONTAINS INFORMATION THAT IS PROPRIETARY TO MOLEX INCORPORATED AND SHOULD NOT BE USED WITHOUT WRITTEN PERMISSION		

MATERIALS AND FINISHES

BODY, JAM NUT, CRIMP TUBE BRASS  
PLATED NICKEL

CENTER CONTACT BERYLLIUM COPPER  
PLATED GOLD

INSULATOR TEFLON

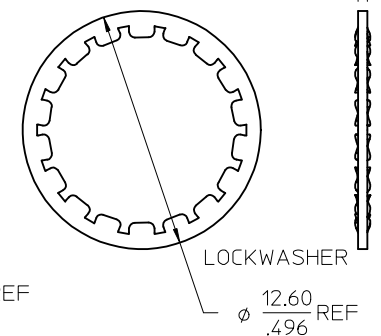
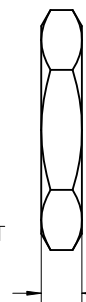
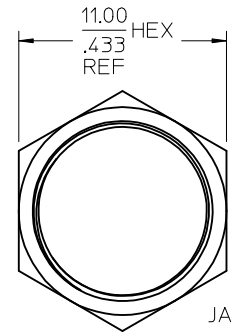
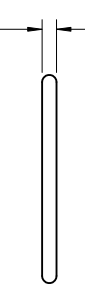
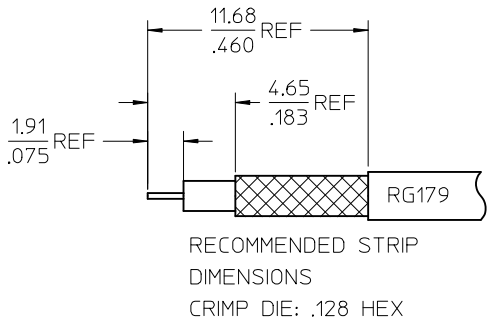
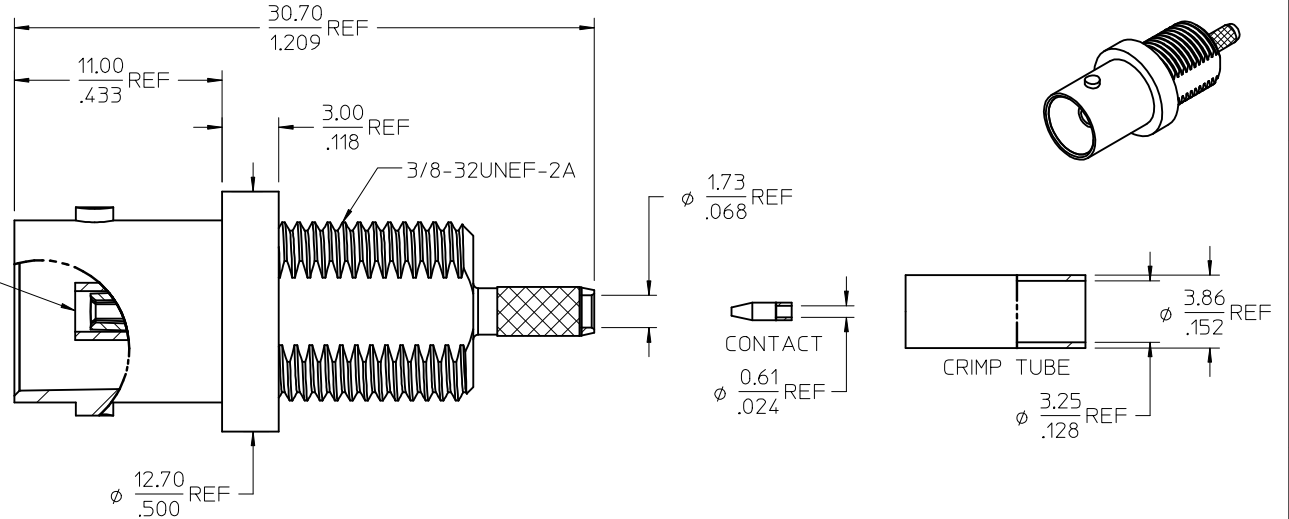
REAR CONTACT BRASS  
PLATED GOLD

GASKETS SILICONE RUBBER

LOCKWASHER PHOSPHOR BRONZE  
PLATED NICKEL

PACKAGING: BY TRAY

BNC JACK  
NON-STANDARD  
INTERFACE  
MEETS  
IEC 61010-1  
CLAUSE 6.2.3  
(WILL MATE  
WITH STANDARD  
BNC PLUG)



PART # 73171-2970

HARDWARE BULK PACKAGING:  
O-RING, JAM NUT, & LOCKWASHER  
PACKAGED IN SEPARATE BAGS 125 PCS EACH.

IP68	SEALING
AS-89511-0390	ASSEMBLY INSTRUCTION
SPECIFICATION	DESCRIPTION

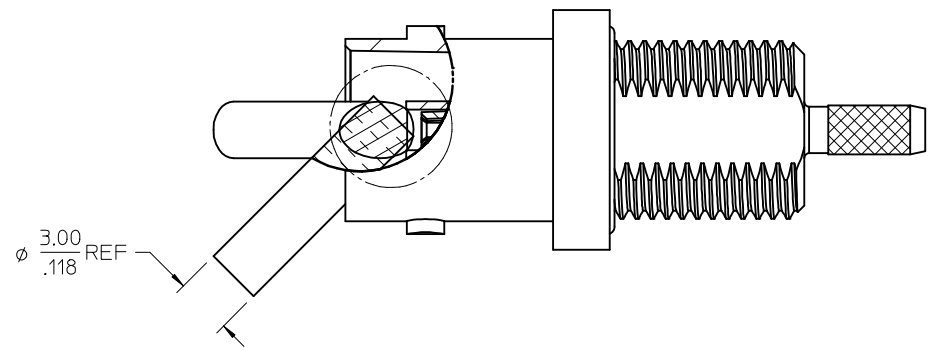
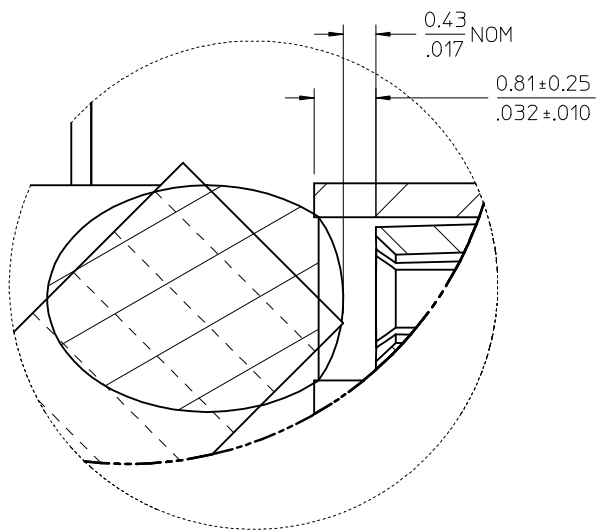
CHG: ADDED PKG BY TRAY PER SAP PER RF16-E156	EC NO: URF2017-0139	2016/09/19
	DRWN: CWE102	2016/09/19
REV	CHKD:	DESCRIPTION
	APPR: YCHENG	2016/10/03

QUALITY SYMBOLS	GENERAL TOLERANCES (UNLESS SPECIFIED)
▽=0	mm INCH
▽=0	4 PLACES ± --- ± ---
	3 PLACES ± --- ± ---
	2 PLACES ± --- ± ---
	1 PLACE ± --- ± ---
	ANGULAR ± 2 °

DRAWN BY	DATE
AZR	2007/01/17
CHECKED BY	DATE
SSS	2007/01/17
APPROVED BY	DATE
JDW	2007/01/17
MATERIAL NO.	DOCUMENT NO.
731712970	SD-73171-297

DIMENSION STYLE	SCALE	DESIGN UNITS	THIRD ANGLE PROJECTION
MM/IN		METRIC	

TITLE		Molex	SHEET NO.
BNC JACK, NON-STANDARD INTERF RG179 IP68 75 OHM EWR-3276, BNC-JC/BK			
MOLEX INCORPORATED			
THIS DRAWING CONTAINS INFORMATION THAT IS PROPRIETARY TO MOLEX INCORPORATED AND SHOULD NOT BE USED WITHOUT WRITTEN PERMISSION			



CHG: SEE SHT 1.	2016/09/19
EC NO: URF2017-0139	
DRWN: CWE102	
CHKD:	
APPR: YCHENG	2016/10/03
REV	DESCRIPTION
A4	

QUALITY SYMBOLS	GENERAL TOLERANCES (UNLESS SPECIFIED)
▽=0	
▽=0	
	mm INCH
	4 PLACES ± --- ± ---
	3 PLACES ± --- ± ---
	2 PLACES ± --- ± ---
	1 PLACE ± --- ± ---
	ANGULAR ± 2 °
	DRAFT WHERE APPLICABLE MUST REMAIN WITHIN DIMENSIONS

DIMENSION STYLE	
MM/IN	
DRAWN BY	DATE
AZR	2007/01/17
CHECKED BY	DATE
SSS	2007/01/17
APPROVED BY	DATE
JDW	2007/01/17
MATERIAL NO.	
SEE SHEET 1	
SIZE	
C	

SCALE	DESIGN UNITS	THIRD ANGLE PROJECTION
	METRIC	
TITLE		
BNC JACK, NON-STANDARD INTERF RG179 IP68 75 OHM EWR-3276, BNC-JC/BK		
MOLEX INCORPORATED		SHEET NO.
DOCUMENT NO.		2 OF 2
SD-73171-297		
THIS DRAWING CONTAINS INFORMATION THAT IS PROPRIETARY TO MOLEX INCORPORATED AND SHOULD NOT BE USED WITHOUT WRITTEN PERMISSION		