



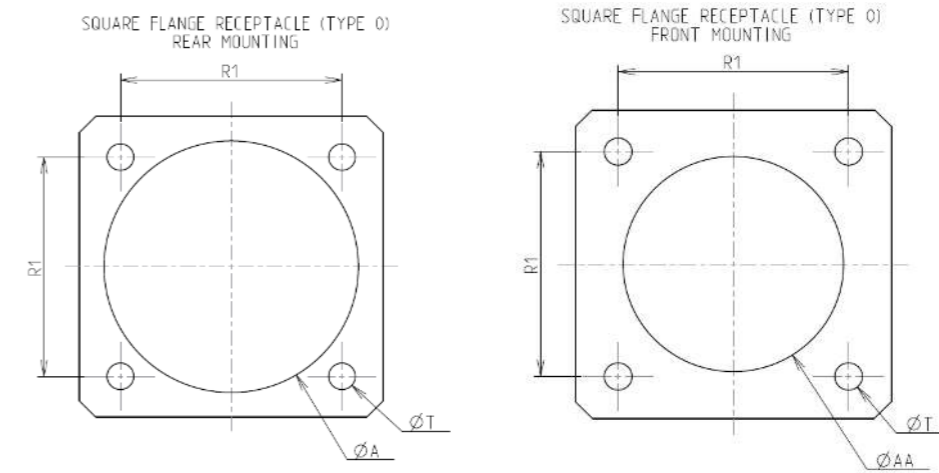
Contact Layout



Contacts (Insert arrangement 15-18)					
Contact position ID	Location		Contact position ID	Location	
	X-axis (mm)	Y-axis (mm)		X-axis (mm)	Y-axis (mm)
A	+065 (1.65)	+252 (6.40)	K	-195 (4.95)	+113 (2.87)
B	+195 (4.95)	+113 (2.87)	L	-065 (1.65)	+252 (6.40)
C	+260 (6.60)	+000 (0.00)	M	-065 (1.65)	+113 (2.87)
D	+195 (4.95)	-113 (2.87)	N	+065 (1.65)	+113 (2.87)
E	+130 (3.30)	-225 (5.72)	P	+130 (3.30)	+000 (0.00)
F	+000 (0.00)	-225 (5.72)	R	+065 (1.65)	-113 (2.87)
G	-130 (3.30)	-225 (5.72)	S	-065 (1.65)	-113 (2.87)
H	-195 (4.95)	-113 (2.87)	T	-130 (3.30)	+000 (0.00)
J	-260 (6.60)	+000 (0.00)	U	+000 (0.00)	+000 (0.00)

Shell size	Arrangement no.	Number of contacts	Size contacts	Service rating	Contact location	Supersedes
15	-18	18	20	I	All	MS20052-18

Panel Cutout



Dim	Nominal
ØA	26.59 min
ØAA	23.01 min
R1	24.61
ØT	3.25 ±0.13

SOURIAU shall not be liable for any non-conformity or damage due to a use of the Products which does not comply with the Specifications issued by either of the Parties or by a third party (professional recommendation, technical notice.)

Country	Jurisdiction & Control List
FR	Not Listed

PN: 8D015Z18PB

A	18-10-2016	First Release	
ISS	DATE	Latest modification - by	MOD N°
Designed By:		Date:	<b>CUSTOMER DRAWING</b>
<b>TITLE</b>	Aluminium Receptacle 8D series		
SCALE		General linear Tolerances: ±--	NPRDS / PROJECT <b>859</b>
NA			
<b>SOURIAU</b>	<b>WWW.SOURIAU.COM</b>		This document is the property of SOURIAU it must not be reproduced or communicated without permission
FORMAT	<b>SOURIAU DRG N° 8D015Z18PB-C</b>		SHEET 2/2