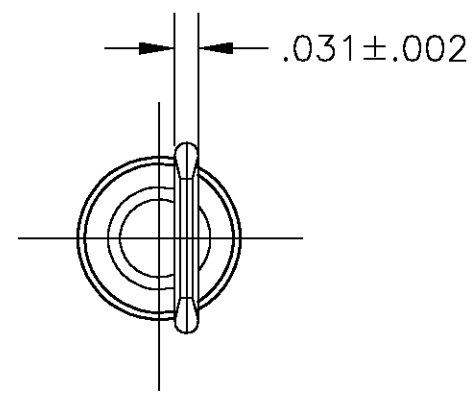
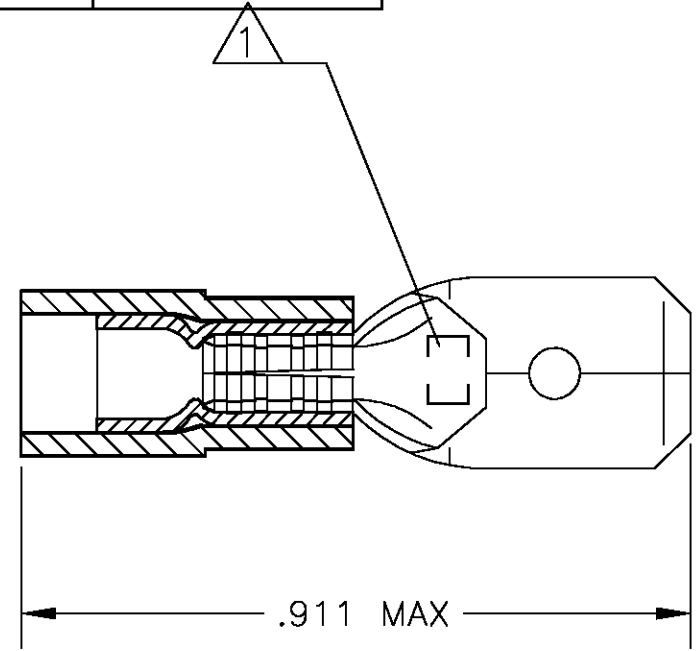


THIS DRAWING IS UNPUBLISHED. RELEASED FOR PUBLICATION  
 © COPYRIGHT BY TYCO ELECTRONICS CORPORATION. ALL RIGHTS RESERVED.

LOC	DIST	REVISIONS			
P	LTR	DESCRIPTION	DATE	DWN	APVD
G	86	C1	REV PER ECR 05-001779	26APR05	JR TM

<b>AMP WIRE RANGE</b>	FILE E66717	LR7189 Certified
22-18 AWG STRANDED	22-18 AWG STRANDED	22-18 AWG STRANDED



- ① MARKED AMP 22-18
- 2 DESIGNED FOR WIRE INSULATION DIA OF .080-.115
- ③ BODY: .016±.001 THK BRASS, TIN PL. SLEEVE: NYLON, RED
- 4 RATED FOR 10 MAX AMPERE

100	LOOSE PIECE	8-696362-1
1000	LOOSE PIECE	696362-1
QTY	PACKAGE TYPE	PART NO.

TYCO ELECTRONICS CUSTOMER SERVICE SYSTEM	
FOR ADDITIONAL PRODUCT INFORMATION OR COPIES OF DRAWING AND TECHNICAL DOCUMENTS	PRODUCT INFORMATION CENTER 1-800-522-6752
FOR APPLICATION TOOLING INFORMATION	TOOLING ASSISTANCE CENTER 1-800-722-1111
FOR ORDER ENTRY	1-800-526-5142

MAX RECOMMENDED OPERATING TEMPERATURE: 105°C [221°F]
VOLTAGE RATING: 300V MAX
CIRCULAR MIL AREA: 509-1,900 STRANDED

THIS DRAWING IS A CONTROLLED DOCUMENT.	
DIMENSIONS: INCHES	TOLERANCES UNLESS OTHERWISE SPECIFIED:
	0 PLC ± -
	1 PLC ± -
	2 PLC ± -
	3 PLC ± .008
	4 PLC ± -
	ANGLES ± -
MATERIAL	FINISH
- ③	- ③

DWN JR RUTH 06DEC01	Tyco Electronics Corporation Harrisburg, Pa 17105-3608
CHK T MICHELUTTI 06DEC01	
APVD T MICHELUTTI 06DEC01	
PRODUCT SPEC	
APPLICATION SPEC	TAB, 250 SERIES, FASTON, PIDG, WIRE: 22-18 AWG
114-13076	SIZE CAGE CODE DRAWING NO RESTRICTED TO
WEIGHT -	A3 00779 C-696362 -
CUSTOMER DRAWING	SCALE 1:1 SHEET 1 OF 1 REV C1