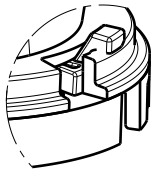
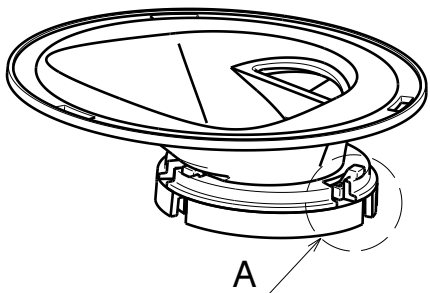
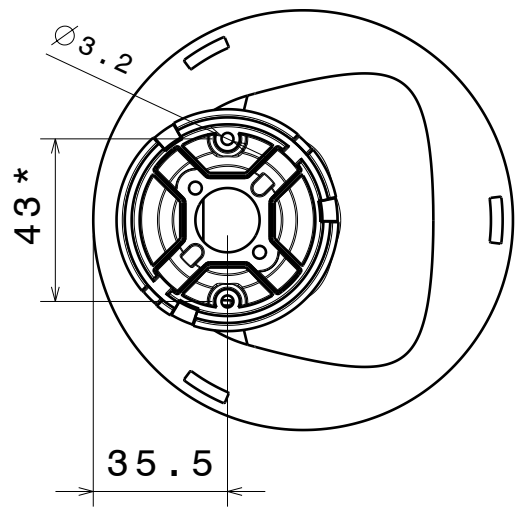


D C B A

4

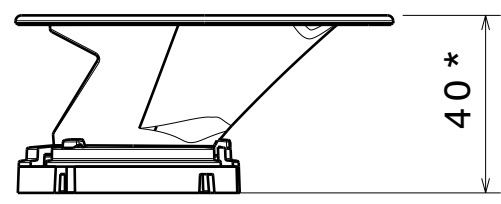


Detail A
Fitting to base part



4

3



Front view

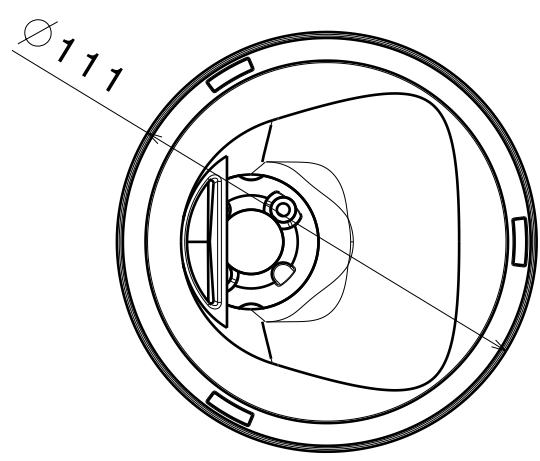
3

*Dimension with CXA20-led base part

Materials:
Base part, White PC.
Reflector, PC with metal coating and clear lacquer.
(Optional sub lens, PC)

Tolerances for dimensions:
0-20mm tolerance value +/-0.1mm
21-45mm tolerance value +/-0.2mm
46-90mm tolerance value +/-0.3mm
91-100mm tolerance value +/-0.4mm
101-mm tolerance value +/-0.5mm

Note:
Optional sublenses available, increases assembly height by 3-4mm depending style.



2

2

This drawing is our property. It can't be reproduced or communicated without our written agreement.

Ledil Oy
Salorankatu 10
FIN 24240 SALO
Finland

DRAWING TITLE
Datasheet LENA-WAS reflector

DRAWN BY pv	DATE 31.05.2012
CHECKED BY vs	DATE 30.05.2012
DESIGNED BY hh	DATE 16.05.2012

SIZE A4	DRAWING NUMBER -	REV 1
SCALE 1:2	WEIGHT (g)	SHEET 1/1

1

1

D A