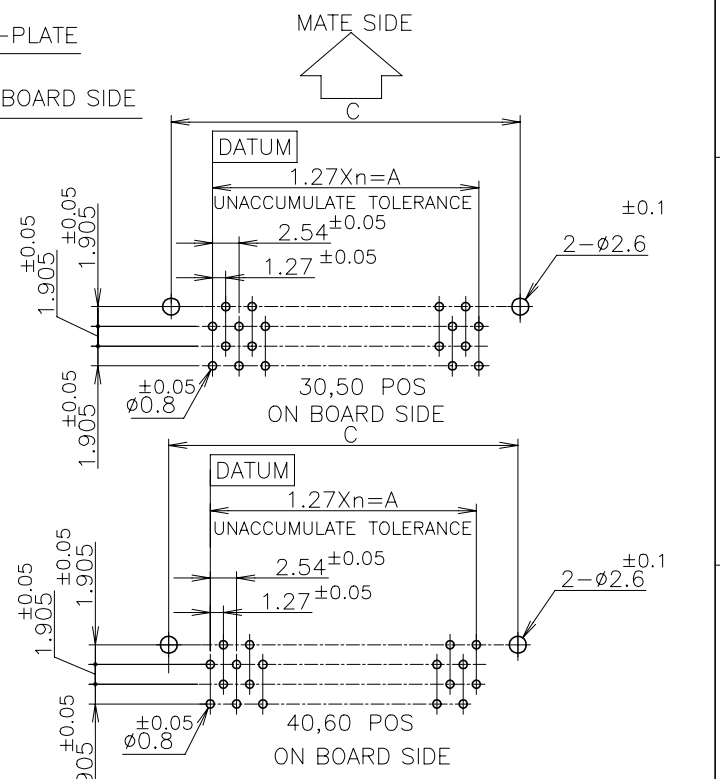
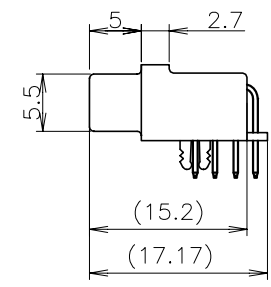
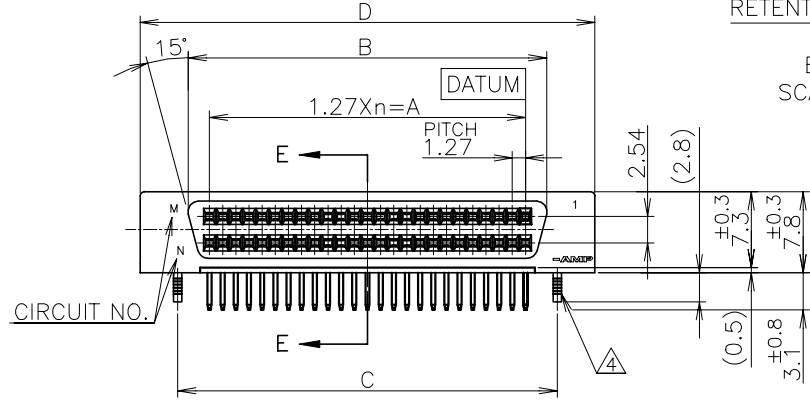
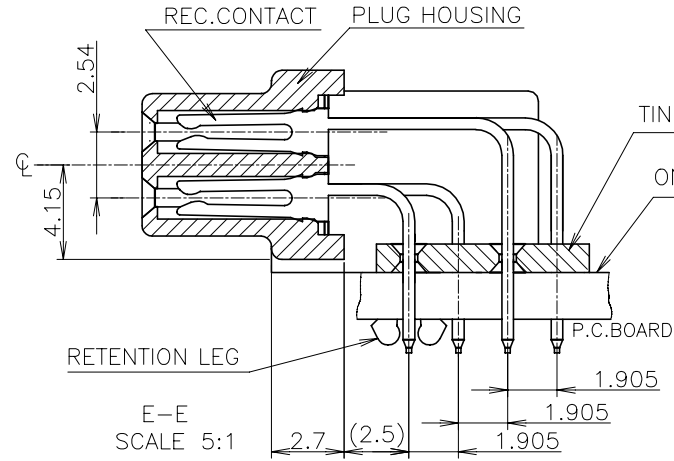
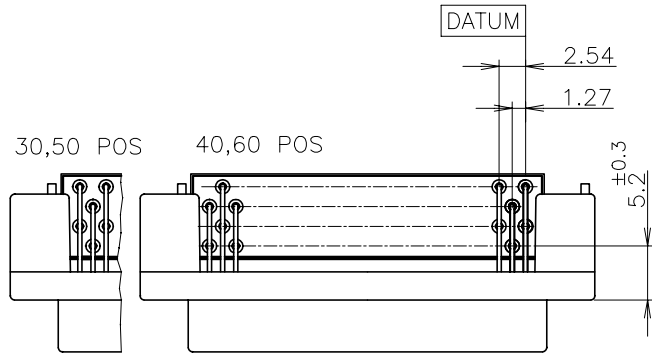


REVISIONS				
変更				
P	LTR	DESCRIPTION	DATE	APVD
B1		ECO-20-006057	28APR2020	RR SH



- 1 USE A P.C.B. WHOSE ARE TREATED WITH SOLDER RESIST.
 - 2 SHOW P.C.B LAYOUT FROM ON BOARD SURFACE SIDE.
 - 3 NUMBER THE CONTACT IN THE P.C.B OR CONNECTOR CONSECUTIVELY FROM "DATUM" SIDE.
- ⚠ THE RETENTION LEG IS A TEMPORARY FIX BEFORE SOLDERING
 - ⚠ HOUSING MATERIAL : P.B.T(UL94V-0) / BLACK
 - ⚠ CONTACT MATERIAL : PHO-BRONZE
 - ⚠ CONTACT FINISH : NICKEL 0.00127 MIN THK. OVERALL SELECTIVE GOLD 0.00076 MIN OR 0.0002 MIN. THK ON CONTACT AREA AND TIN 0.001 MIN THK. ON TINE AREA.
 - ⚠ RETENTION LEG FINISH:0.002 MIN TIN PL. OVER 0.001 MIN NICKEL PL.
 - ⚠ RETENTION LEG MATERIAL:BRASS
 - ⚠ OBSOLETE PARTS: OBSOLETE CIS STREAMLINING PER D.RENAUD/D.SINISI

OBSOLETE	6-	4	60	29	36.83	41.00	44.23	48.14	Au PL. 0.00076 MIN.
OBSOLETE	6-	3	50	24	30.48	34.65	37.88	41.72	
⚠ OBSOLETE	6-	2	40	19	24.13	28.30	31.53	35.44	Au PL. 0.0002 MIN.
OBSOLETE	6-	1	30	14	17.78	21.95	25.18	29.09	
OBSOLETE		4	60	29	36.83	41.00	44.23	48.14	Au PL. 0.0002 MIN.
OBSOLETE		3	50	24	30.48	34.65	37.88	41.72	
OBSOLETE		2	40	19	24.13	28.30	31.53	35.44	Au PL. 0.0002 MIN.
OBSOLETE		1	30	14	17.78	21.95	25.18	29.09	
OBSOLETE	5174217-1	30	14	17.78	21.95	25.18	29.09		

THIS DRAWING IS A CONTROLLED DOCUMENT.

DIMENSIONS: 單位: 耗 mm	TOLERANCES UNLESS OTHERWISE SPECIFIED: 一般公差
0 PLC ±	1 PLC ±
2 PLC ±	3 PLC ±
4 PLC ±	ANGLES ±
MATERIAL 材料	FINISH 仕上
SEE NOTE ⚠⚠⚠	SEE NOTE ⚠⚠

GENERAL TOLERANCE 一般公差
10 ≥ : ±0.2
30 > 10: ±0.25
100 > 30: ±0.3
ANGLES: ±3°

DWN GAVIN ZHANG 06JUL04	TE Connectivity	
CHK T. KAWAMAE 06JUL04	PLUG ASSY (HORIZONTAL / W/LEG) AMPLIMITE .050 SERIES I B-TO-B CONN.	
APVD I. ENOMOTO 06JUL04	NAME 108-60036	RESTRICTED TO
PRODUCT SPEC 製品規格	SIZE A3	CAGE CODE 00779
APPLICATION SPEC 取付適用規格	DRAWING NO C=5174217	SHEET 1 OF 1
WEIGHT	SCALE 尺度 2:1	REV B1
CUSTOMER DRAWING		