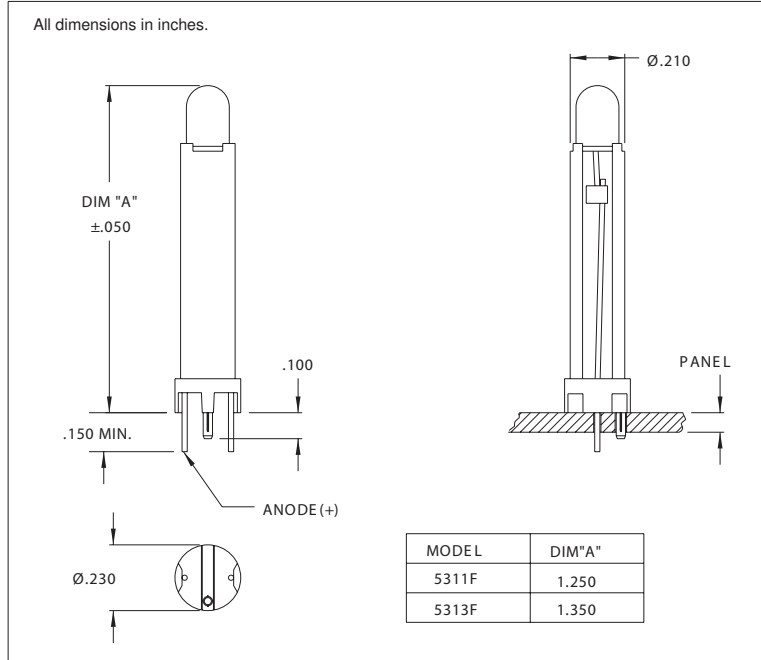




5311F Series Super BriteT-1 LED Circuit Board Indicator

DESCRIPTION AND FEATURES



Features

- Block mounting, height and spacing alignment saves assembly cost and time.
- Standoffs prevent flux entrapment.
- Press-in mounting pin secures assembly to PC board while soldering.

Housing: Black Nylon, UL94V-0

Alternate LEDs are available in this package as standard variations.

Available options: Low current, 5 volt and 12 volt built-in resistors, bicolor and blue LEDs also offered. Call factory for ordering information.

Mounting hole pattern on page 1-X6.

ELECTRO-OPTICAL CHARACTERISTICS AND RATINGS

| Part Number | Color | Typ. Intensity (mcd) | Rated Current (mA) | Continuous Forward Current Max. (mA) | Forward Voltage Typ. (V) | Forward Voltage Max. (V) | Peak Forward Current @ 1 ms-300pps (A) | Peak Wavelength (nm) | Reverse Breakdown Voltage Min. (A) |
|-------------|--------|----------------------|--------------------|--------------------------------------|--------------------------|--------------------------|--|----------------------|------------------------------------|
| 5311F1 | Red | 10 | 10 | 30 | 2.0 | 3.0 | 1.0 | 650 | 5 |
| 5311F5 | Green | 16 | 10 | 30 | 2.2 | 3.0 | .09 | 562 | 5 |
| 5311F7 | Yellow | 6.3 | 10 | 30 | 2.1 | 3.0 | 1.0 | 585 | 5 |
| 5313F1 | Red | 10 | 10 | 30 | 2.0 | 3.0 | 1.0 | 650 | 5 |
| 5313F5 | Green | 16 | 10 | 30 | 2.2 | 3.0 | .09 | 562 | 5 |
| 5313F7 | Yellow | 6.3 | 10 | 30 | 2.1 | 3.0 | 1.0 | 585 | 5 |