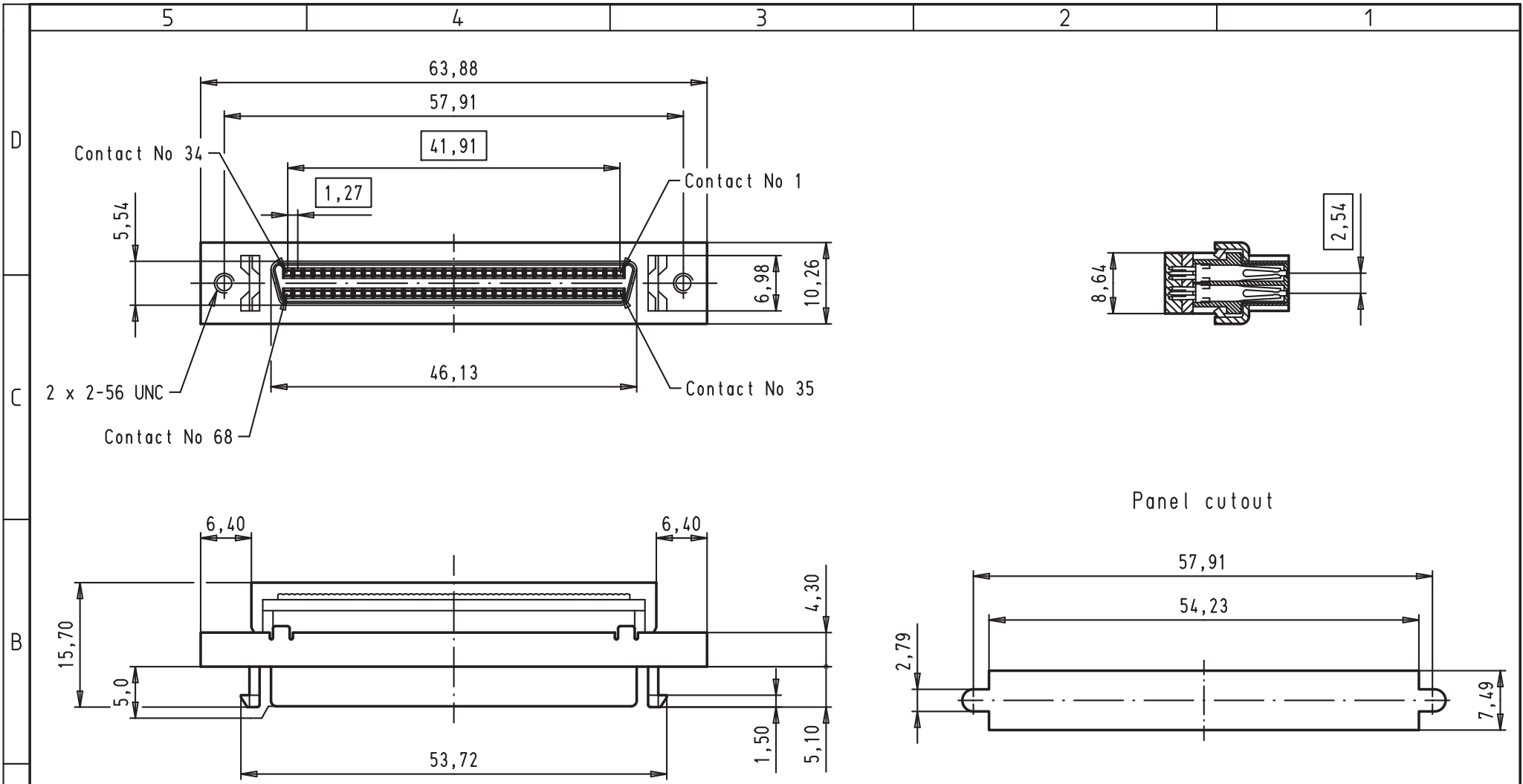




Alle Rechte vorbehalten/ All rights reserved



A					Det.	Name	 Har-mik® I/O pin/socket SCS1 2 IDC panel 68 poles female connector with 2-56 UNC threads and latches	Maßstab/ Scale 1,5:1
				Detail.	30/08/00	ALSPACE		
				Insp.				
				Stand.				
	EC00328	27/03/09	PK	HARTING EURL F-95972 Paris			 TB 60 04 068 5343	Blatt/ Page 1 / 1
	27941	30/08/00	ALSPACE					
	Mod.	Det.	Name			Sub.		