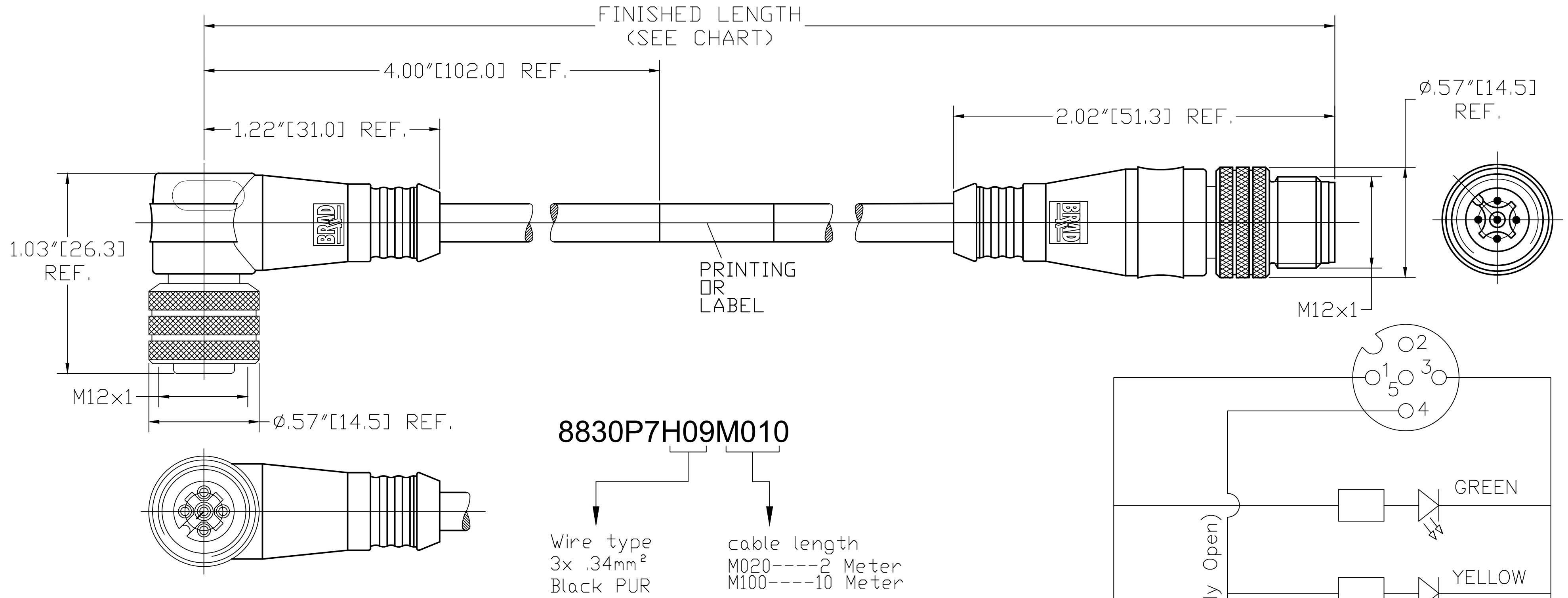


MATERIAL NUMBER **OLD PART NUMBER** **FINISHED LENGTH**

120067-8295 8830P7H09M010 3.28' +2.19" -0 [1.0M +55.6mm -0]



8830P7H09M010

Wire type
3x .34mm²
Black PUR

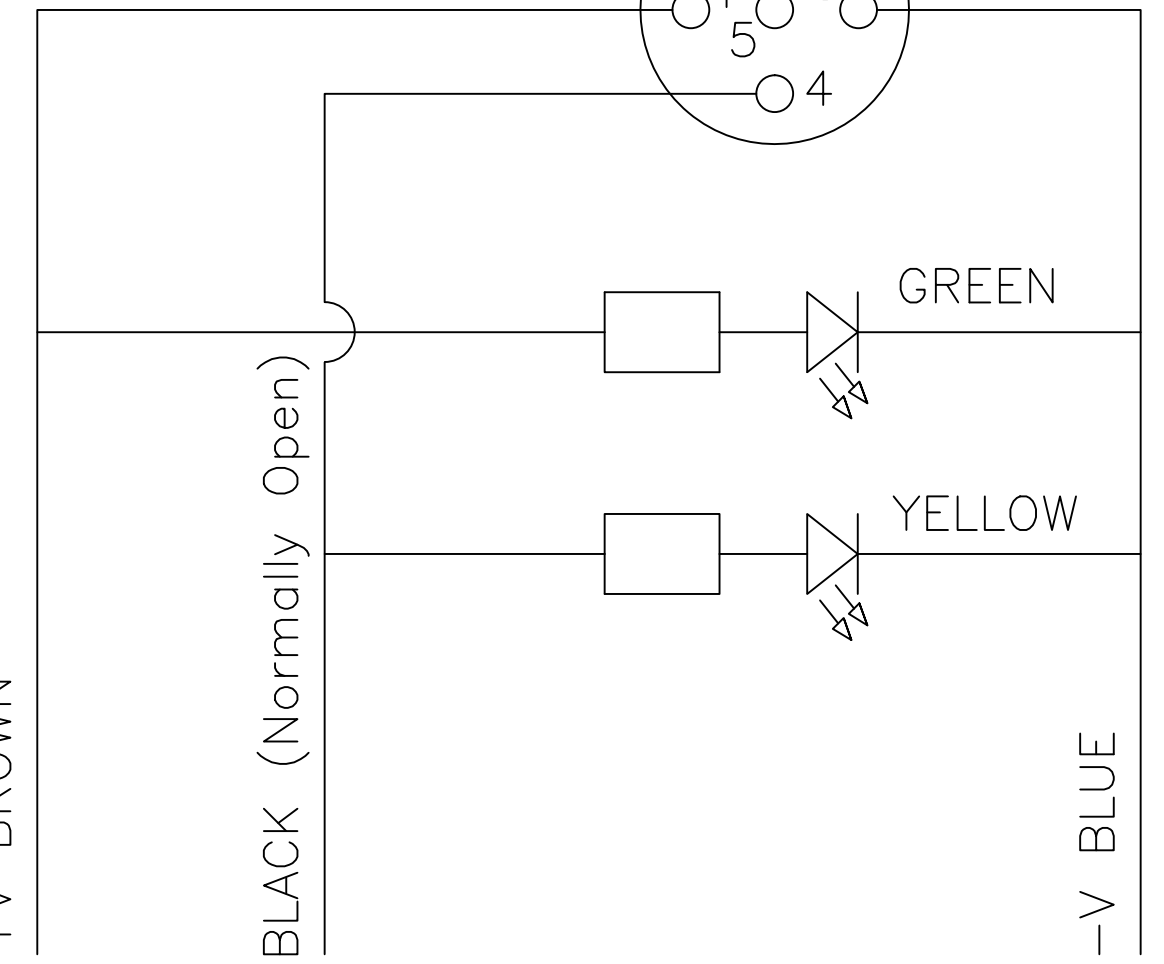
cable length
M020----2 Meter
M100----10 Meter

CONTACT:	GOLD/NICKEL OVER COPPER ALLOY
INSERT:	PUR, BLACK
COUPLING NUT:	BRASS, NICKEL PLATED
MOLDED BODY:	TPU, NATURAL
VOLTAGE RATING:	10 TO 30 VDC
AMPERAGE RATING:	4 AMPS
PROTECTION:	IP67
OPERATING TEMPERATURE:	FLEXING: -5°C TO 80°C STATIC: -30°C TO 80°C

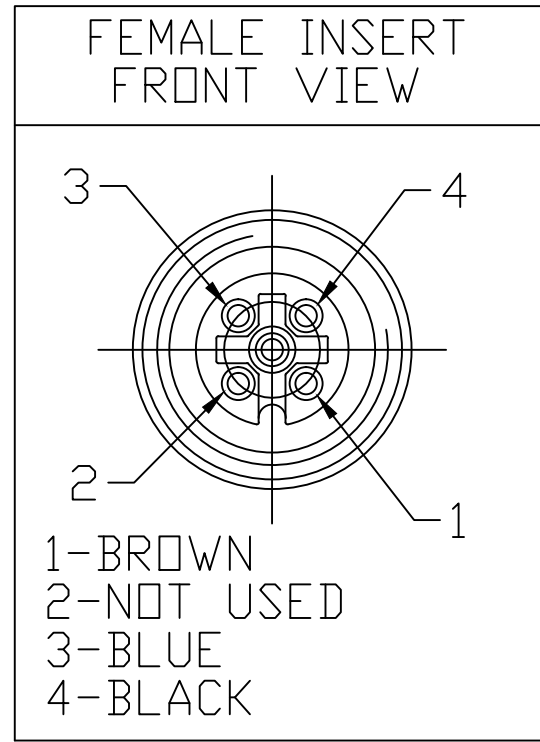
+V BROWN

BLACK (Normally Open)

-V BLUE



WIRING DIAGRAM



INITIAL RELEASE EC NO.: IPG2014-0063 DRWN: EBRACKEN 2013/07/01 CH'KD: RSTONE 9999/12/31 APPR: BWOODMAN2013/08/16 A	QUALITY SYMBOL ▽=0 ▽C=0	GENERAL TOLERANCES (UNLESS SPECIFIED)		DIMENSION STYLE INCH/MM		SCALE ---	DESIGN UNITS INCH	THIRD ANGLE PROJECTION		
		4 PLACES ±--- ±---	3 PLACES ±--- ±.005	DRAWN BY EBRACKEN	DATE 2013/06/18	TITLE MICRO-CHANGE ASSEMBLY 3 POLE LED MM 90D ST CABLE PUR BLACK				
		2 PLACES ±0.13 ±.010	1 PLACE ±0.25 ±.020	CHECKED BY RSTONE	DATE 9999/12/31	MOLEX INCORPORATED				
		ANGULAR ±.5°		APPROVED BY BWOODMAN		DATE 2013/08/16	MATERIAL NO. SEE CHART		DOCUMENT NO. SD-120067-040	SHEET NO. 1 OF 1
DRAFT WHERE APPLICABLE MUST REMAIN WITHIN DIMENSIONS		THIS DRAWING CONTAINS INFORMATION THAT IS PROPRIETARY TO MOLEX INCORPORATED AND SHOULD NOT BE USED WITHOUT WRITTEN PERMISSION								