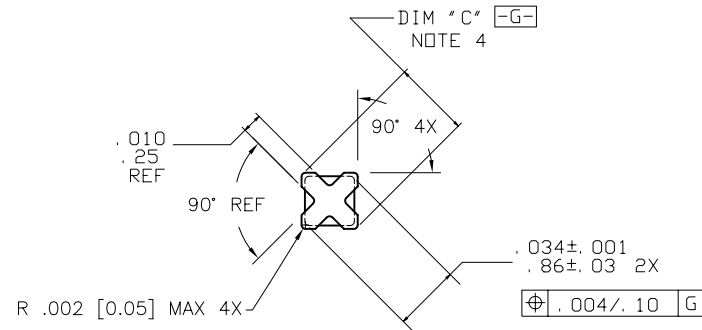
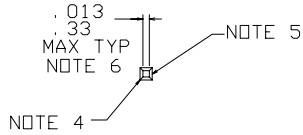
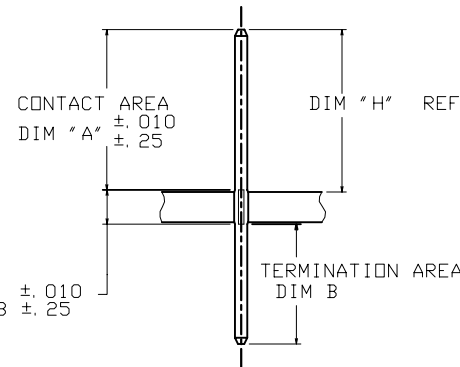
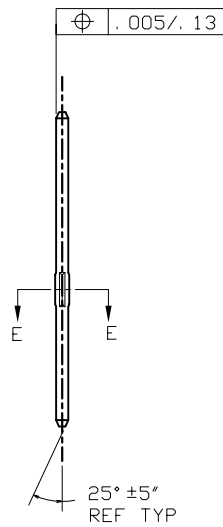
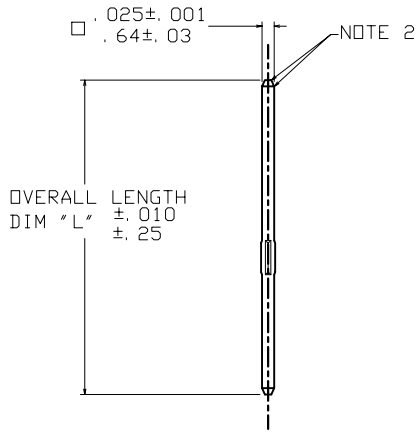


PRODUCT NUMBER
SEE TABLE



SECTION E-E
SCALE 12/1
WITHOUT FERRULE



SECTION THRU PC BOARD

mat'l. code		surface		tolerance		projection		product family	
SEE NOTE 1		ASME Y14.5		ASME Y14.5		INCH/MM		PIN PRODUCTS	
ltr	ec'n no	dr	date	tolerances unless otherwise specified		scale		title	
Y	V07-0009	HTB	2007-01-05	angles	XX+01/XX+3	3:1		BERGPIN® LOOSE PIECE	
AA	V08-0353	HTB	2008-08-18	0° ±2'	XXX+005/XXX+13	3:1		.039"[0.99] DIA. STAR	
U	V71498	HTB	1997-10-28	dr	XXXX+0020/XXX+051	3:1		dwg no	
V	V01594	JRW	2000-07-12	engr		3:1		sheet 1 of 5	
W	V05-0399	HTB	2005-04-28	chr		3:1		size	
X	V06-0684	HTB	2006-07-24	appd		3:1		A4	
sheet	revision	AA	AA	AA	AA	FCI		76151	
index	sheet	1	2	3	4	type		CUSTOMER Drawing	

PRODUCT NUMBER NOTE 9	PLATING	UNDERPLATING
76151-YYY	30μ" [0.76μ] MIN Au	50μ" [1.27μ] MIN Ni
76151-YYLFF		
76153-YYY	50μ" [1.27μ] MIN Au	50μ" [1.27μ] MIN Ni
76153-YYLFF		
76154-YYY	120μ" [3.05μ] MIN 93/7 SnPb	50μ" [1.27μ] MIN Ni
76154-YYLFF	100μ" [2.54μ] MIN Sn (NOTE 10)	50μ" [1.27μ] MIN Ni
76155-YYY	30μ" [0.76μ] MIN GXT™	50μ" [1.27μ] MIN Ni
76155-YYLFF		
76156-YYY	15μ" [0.38μ] MIN GXT™	50μ" [1.27μ] MIN Ni
76156-YYLFF		
76159-YYY	15μ" [0.38μ] MIN Au	50μ" [1.27μ] MIN Ni
76159-YYLFF		

DISCONTINUED

NOTES:

- ①. MATERIAL: 3/4 HARD PHOS BRONZE
ASTM B-159-66
- ②. BURNISH MARKS ON PIN PERMITTED
BURR .003 [0.08] MAX BULGE
.0005 [0.013] MAX TYP.
3. SEE PRODUCT SPECIFICATION BUS-12-064
FOR P.C. BOARD HOLE DIAMETER AND P.C.
BOARD HOLE PLATING INFORMATION.
- ④. .002 [0.05] R MAX TYP 4X ON WIRE
PORTION OF PIN.
- ⑤. TWO SIDES OF LEAD-IN NOT PLATED
TYP BOTH ENDS.
- ⑥. .016 [0.41] MAX OPPOSITE END IF DIM
B IS LESS THAN .230 [5.84].
- ⑦. TOLERANCE: +.001 [0.03], -.002 [0.05]
- ⑧. TOLERANCE: ±.001 [0.03]
- ⑨. ADD AN LF SUFFIX TO PART NUMBERS FOR PRODUCT
THAT MEETS EUROPEAN UNION DIRECTIVES AND OTHER
COUNTRY REGULATIONS AS DESCRIBED IN GS-22-008.
- ⑩. THIS PRODUCT HAS 100% TIN PLATING IN THE
INTERFACE AND HAS NOT BEEN TESTED FOR WHISKER
GROWTH IN ALL INTERCONNECT ENVIRONMENTS.

mat'l. code SEE NOTE 1		surface ASME Y14.5 ✓	tolerance ASME Y14.5	projection 	product family PIN PRODUCTS
ltr	ecn no	dr	date	tolerances unless otherwise specified	title
AA				angles XX+01/X+3 XXX+005/XX+13	BERGPIN® LOOSE PIECE .039"[0.99] DIA. STAR
				0' ±2' XXXX+0020/XXX+051	
		dr	M. FETROW	1994-05-16	dwg no
		enr	L. FYE	1994-05-16	76151
		chr	L. FYE	1994-05-16	sheet 2 of 5
		appd	L. FYE	1994-05-16	size A4
sheet	revision				type CUSTOMER Drawing
index	sheet				



PRODUCT NO. NOTE 9	CONTACT AREA DIM "A"	TERMINATION AREA DIM "B"	DIM "C"	DIM "H" FOR .062 BOARD 1.57	DIM "H" FOR .093 BOARD 2.36	DIM "H" FOR .125 BOARD 3.17	OVERALL LENGTH DIM "L"	CUSTOMER RESTRICTED
7615X-001	.230/5.84	.045/1.14	.039/0.99 NOTE 7	.235/5.97	.220/5.59	.205/5.21	.345/8.76	NO
7615X-002	.265/6.73	.045/1.14	.039/0.99 NOTE 7	.270/6.86	.255/6.48	.240/6.10	.380/9.65	NO
7615X-003	.345/8.76	.045/1.14	.039/0.99 NOTE 7	.350/8.89	.335/8.51	.320/8.13	.460/11.68	NO
7615X-004	.400/10.16	.045/1.14	.039/0.99 NOTE 7	.405/10.29	.390/9.91	.375/9.53	.515/13.08	NO
7615X-005	.415/10.54	.045/1.14	.039/0.99 NOTE 7	.420/10.67	.405/10.29	.390/9.91	.530/13.46	NO
7615X-006	.435/11.05	.045/1.14	.039/0.99 NOTE 7	.440/11.18	.425/10.80	.410/10.41	.550/13.97	NO
7615X-007	.465/11.81	.045/1.14	.039/0.99 NOTE 7	.470/11.94	.455/11.56	.440/11.18	.580/14.73	NO
7615X-008	.515/13.08	.045/1.14	.039/0.99 NOTE 7	.520/13.21	.505/12.83	.490/12.45	.630/16.00	NO
7615X-009	.575/14.61	.040/1.02	.039/0.99 NOTE 7	.575/14.61	.560/14.22	.545/13.84	.685/17.40	NO
7615X-010	.585/14.86	.045/1.14	.039/0.99 NOTE 7	.590/14.99	.575/14.61	.560/14.22	.700/17.78	NO
7615X-011	.635/16.13	.045/1.14	.039/0.99 NOTE 7	.640/16.26	.625/15.88	.610/15.49	.750/19.05	NO
7615X-012	.655/16.64	.045/1.14	.039/0.99 NOTE 7	.660/16.76	.645/16.38	.630/16.00	.770/19.56	NO
7615X-013	.745/18.92	.045/1.14	.039/0.99 NOTE 7	.750/19.05	.735/18.67	.720/18.29	.860/21.84	NO
7615X-014	.265/6.73	.245/6.22	.039/0.99 NOTE 7	.270/6.86	.255/6.48	.240/6.10	.580/14.73	NO
7615X-015	.345/8.76	.245/6.22	.039/0.99 NOTE 7	.350/8.89	.335/8.51	.320/8.13	.660/16.76	NO
7615X-016	.400/10.16	.245/6.22	.039/0.99 NOTE 7	.405/10.29	.390/9.91	.375/9.53	.715/18.16	NO
7615X-017	.465/11.81	.245/6.22	.039/0.99 NOTE 7	.470/11.94	.455/11.56	.440/11.18	.780/19.81	NO
7615X-018	.570/14.48	.245/6.22	.039/0.99 NOTE 7	.575/14.61	.560/14.22	.545/13.84	.885/22.48	NO
7615X-019	.625/15.88	.245/6.22	.039/0.99 NOTE 7	.630/16.00	.615/15.62	.600/15.24	.940/23.88	NO
7615X-020	.655/16.64	.245/6.22	.039/0.99 NOTE 7	.660/16.76	.645/16.38	.630/16.00	.970/24.64	NO
7615X-021	.265/6.73	.355/9.02	.039/0.99 NOTE 7	.270/6.86	.255/6.48	.240/6.10	.690/17.53	NO
7615X-022	.345/8.76	.355/9.02	.039/0.99 NOTE 7	.350/8.89	.335/8.51	.320/8.13	.770/19.56	NO
7615X-023	.400/10.16	.355/9.02	.039/0.99 NOTE 7	.405/10.29	.390/9.91	.375/9.53	.825/20.96	NO
7615X-024	.465/11.81	.355/9.02	.039/0.99 NOTE 7	.470/11.94	.455/11.56	.440/11.18	.890/22.61	NO
7615X-025	.570/14.48	.355/9.02	.039/0.99 NOTE 7	.575/14.61	.560/14.22	.545/13.84	.995/25.27	NO
7615X-026	.625/15.88	.355/9.02	.039/0.99 NOTE 7	.630/16.00	.615/15.62	.600/15.24	1.050/26.67	NO
7615X-027	.655/16.64	.355/9.02	.039/0.99 NOTE 7	.660/16.76	.645/16.38	.630/16.00	1.080/27.43	NO

A

A

B

B

mat'l. code SEE NOTE 1		surface ASME Y14.5 <input checked="" type="checkbox"/>	tolerance ASME Y14.5	projection 	product family PIN PRODUCTS
ltr	ecr no	dr	date	tolerances unless otherwise specified	title
AA				angles $XX+01/XX+3$ $XXX+005/XXX+13$	BERGPIN® LOOSE PIECE .039"[0.99] DIA. STAR
				0° ±2' $XXXX+0020/XXX+051$	
		dr	M. FETROW	1994-05-16	dwg no
		enr	L. FYE	1994-05-16	76151
		chr	L. FYE	1994-05-16	sheet 3 of 5
		appd	L. FYE	1994-05-16	size A4
sheet index	revision sheet				type CUSTOMER Drawing



PRODUCT NO. NOTE 9	CONTACT AREA DIM "A"	TERMINATION AREA DIM "B"	DIM "C"	DIM "H" FOR .062 1.57 BOARD	DIM "H" FOR .093 2.36 BOARD	DIM "H" FOR .125 3.17 BOARD	OVERALL LENGTH DIM "L"	CUSTOMER RESTRICTED
7615X-028	.305/7.75	.035/0.89	.039/0.99 NOTE 7	.310/7.87	.295/7.49	.280/7.11	.410/10.41	NO
7615X-029	.755/19.18	.345/8.76	.039/0.99 NOTE 7	.760/19.30	.745/18.92	.730/18.54	1.170/29.72	NO
7615X-030	.710/18.03	.345/8.76	.039/0.99 NOTE 7	.715/18.16	.700/17.78	.685/17.40	1.125/28.58	NO
7615X-031	.545/13.84	.198/5.03	.039/0.99 NOTE 7	.550/13.97	.535/13.59	.520/13.21	.813/20.65	NO
7615X-032								
7615X-033	.335/8.51	.375/9.53	.039/0.99 NOTE 7	.340/8.64	.325/8.26	.310/7.87	.780/19.81	NO
7615X-034	.535/13.59	.045/1.14	.039/0.99 NOTE 7	.540/13.72	.525/13.34	.510/12.95	.650/16.51	NO
7615X-035	.560/14.22	.260/6.60	.039/0.99 NOTE 7	.565/14.35	.550/13.97	.535/13.59	.890/22.61	NO
7615X-036	.510/12.95	.381/9.68	.039/0.99 NOTE 7	.515/13.08	.500/12.70	.485/12.32	.961/24.41	NO
7615X-037	.325/8.26	.101/2.57	.039/0.99 NOTE 7	.330/8.38	.315/8.00	.300/7.62	.496/12.60	NO
7615X-038	.595/15.11	.330/8.38	.039/0.99 NOTE 7	.600/15.24	.585/14.86	.570/14.48	.995/25.27	NO
7615X-039	.755/19.18	.065/1.65	.039/0.99 NOTE 7	.760/19.30	.745/18.92	.730/18.54	.890/22.61	NO
7615X-040	.315/8.00	.395/10.03	.039/0.99 NOTE 7	.320/8.13	.305/7.75	.290/7.37	.780/19.81	NO
7615X-041	.230/5.84	.080/2.03	.039/0.99 NOTE 7	.235/5.97	.220/5.59	.205/5.21	.380/9.65	NO
7615X-042	.870/22.10	.045/1.14	.039/0.99 NOTE 7	.875/22.23	.860/21.84	.845/21.46	.985/25.02	NO
7615X-043	.504/12.80	.329/8.36	.039/0.99 NOTE 7	.509/12.80	.494/12.55	.479/12.17	.900/22.86	NO
7615X-044	.324/8.23	.056/1.42	.039/0.99 NOTE 7	.329/8.36	.314/7.98	.299/7.60	.450/11.43	NO
7615X-045	.499/12.68	.056/1.42	.039/0.99 NOTE 7	.504/12.80	.489/12.42	.474/12.04	.625/15.88	NO
7615X-046	.430/10.92	.535/13.59	.039/0.99 NOTE 7	.435/11.05	.420/10.67	.405/10.29	1.035/26.29	NO
7615X-047	.375/9.53	.070/1.78	.039/0.99 NOTE 7	.380/9.65	.365/9.27	.350/8.89	.515/13.08	NO
7615X-048	.375/9.53	.275/6.99	.039/0.99 NOTE 7	.380/9.65	.365/9.27	.350/8.89	.720/18.29	NO
7615X-049	.545/13.84	.070/1.78	.039/0.99 NOTE 7	.550/13.97	.535/13.59	.520/13.21	.685/17.40	NO
7615X-050	.313/7.95	.317/8.05	.039/0.99 NOTE 7	.318/8.08	.303/7.70	.288/7.32	.700/17.78	NO
7615X-051	.320/8.13	.045/1.14	.039/0.99 NOTE 7	.325/8.26	.310/7.87	.295/7.49	.435/11.05	NO
7615X-052	.620/15.75	.590/14.99	.039/0.99 NOTE 7	.625/15.88	.610/15.49	.595/15.11	1.280/35.51	NO
7615X-053	.245/6.22	.045/1.14	.039/0.99 NOTE 7	.250/6.35	.235/5.97	.220/5.59	.360/9.14	NO
7615X-054	.623/15.82	.270/6.86	.039/0.99 NOTE 7	.628/15.95	.613/15.57	.598/15.19	.963/24.46	NO

OBSOLETE

A

A

B

B

mat'l. code SEE NOTE 1	surface ASME Y14.5 <input checked="" type="checkbox"/>	tolerance ASME Y14.5	projection 	product family PIN PRODUCTS
ltr ecn no dr date	tolerances unless otherwise specified	angles XX+01/XX+3 XXX+005/XXX+13	INCH/MM	title BERGPIN® LOOSE PIECE .039"[0.99] DIA. STAR
0' ±2'	XXXX+0020/XXX+051	scale 1:1	FCI	dwg no 76151 sheet 4 of 5 size A4
dr M. FETROW 1994-05-16	enr L. FYE 1994-05-16	chr L. FYE 1994-05-16	appd L. FYE 1994-05-16	type CUSTOMER Drawing
sheet index	revision sheet			



PRODUCT NO. NOTE 9	CONTACT AREA DIM "A"	TERMINATION AREA DIM "B"	DIM "C"	DIM "H" FOR .062 1.57 BOARD	DIM "H" FOR .093 2.36 BOARD	DIM "H" FOR .125 3.17 BOARD	OVERALL LENGTH DIM "L"	CUSTOMER RESTRICTED
7615X-055	.684/17.37	.051/1.30	.039/0.99 NOTE 7	.689/17.50	.674/17.12	.659/16.74	.800/20.32	NO
7615X-056	.295/7.49	.192/4.88	.039/0.99 NOTE 7	.300/7.62	.285/7.24	.270/6.86	.552/14.02	NO
7615X-057	.785/19.94	.050/1.27	.039/0.99 NOTE 7	.790/20.07	.775/19.69	.760/19.30	.900/22.86	NO
7615X-058	.747/18.97	.524/13.31	.039/0.99 NOTE 7	.752/19.10	.737/18.72	.722/18.34	1.335/33.91	NO
7615X-059	.230/5.84	.135/3.43	.039/0.99 NOTE 7	.235/5.97	.220/5.59	.205/5.20	.430/10.92	NO
7615X-060	.400/10.16	.440/11.18	.039/0.99 NOTE 7	.405/10.29	.390/9.91	.375/9.53	.910/23.11	NO
7615X-061	.280/7.11	.192/4.88	.039/0.99 NOTE 7	.285/7.24	.270/6.86	.255/6.48	.542/13.77	NO
7615X-062	.280/7.11	.085/2.16	.039/0.99 NOTE 7	.285/7.24	.270/6.86	.255/6.48	.435/11.05	NO
7615X-063	.100/2.54	.050/1.27	.039/0.99 NOTE 7	.105/2.67	.090/2.29	.075/1.91	.220/5.59	NO
7615X-064	.380/9.65	.650/16.51	.039/0.99 NOTE 7	.385/9.78	.370/9.40	.355/9.02	1.100/27.94	NO
7615X-065	.610/15.49	.030/0.76	.038/0.97 NOTE 8	.615/15.62	.600/15.24	.585/14.86	.710/18.03	YES
7615X-066	.822/20.88	.045/1.14	.039/0.99 NOTE 7	.827/21.01	.812/20.63	.797/20.24	.937/23.80	NO
7615X-067	.945/24.00	.045/1.14	.039/0.99 NOTE 7	.945/24.00	.935/23.75	.920/23.37	1.055/26.80	NO
7615X-068	.194/4.93	.042/1.07	.039/0.99 NOTE 7	.196/4.98	.181/4.60	.165/4.19	.306/7.77	NO
7615X-069	.220/5.59	.220/5.59	.039/0.99 NOTE 7	.225/5.72	.210/5.33	.195/4.95	.510/12.95	NO

mat'l. code SEE NOTE 1		surface ASME Y14.5	tolerance ASME Y14.5	projection 	product family PIN PRODUCTS
ltr	ecn no	dr	date	tolerances unless otherwise specified	title
AA				angles XX+01/XX+3 XXX+005/XXX+13	BERGPIN® LOOSE PIECE .039"[0.99] DIA. STAR
				0' ±2' XXXX+0020/XXX+051	
		dr	M. FETROW	1994-05-16	dwg no
		engr	L. FYE	1994-05-16	76151
		chr	L. FYE	1994-05-16	sheet 5 of 5
		appd	L. FYE	1994-05-19	size A4
sheet index	revision sheet				type CUSTOMER Drawing