



## Directional 6 dB SMA Coupler From 1 GHz to 4 GHz Rated to 50 Watts

### Couplers Technical Data Sheet

PE2CP005-6

#### Features

- Directional Coupler
- 1 to 4 GHz Frequency Range
- Coupling  $6 \pm 1$  dB
- Directivity > 20 dB
- VSWR < 1.2:1
- Max Power 50 Watts (CW)

#### Applications

- Test and Measurement
- Military Communications
- Commercial Communications
- Wireless Communications
- SATCOM

#### Description

Directional couplers are indispensable components for isolating, separating and combining signals. For example, they provide a simple way of sampling microwave signals. They also can make accurate attenuator measurements since reflections are eliminated. The PE2CP005-6 is a 6 dB directional coupler that operates from 1 to 4 GHz with 20 dB directivity minimum and 1.2:1 VSWR maximum. The package interface uses SMA female connectors, and is also RoHS compliant.

The PE2CP005-6 is part of Pasternack's family of directional/dual-directional couplers that offer coupling ratio up to 50 dB with excellent performance featuring high directivity, low insertion loss and VSWR. They are available in both narrow and broad bandwidths and can be used in a wide variety of applications including signal sampling, VSWR measurements, power combining and distribution.

#### Electrical Specifications

Description	Minimum	Typical	Maximum	Units
Frequency Range	1		4	GHz
Impedance		50		Ohms
Coupling		$6 \pm 1$		dB
Frequency Sensitivity			$\pm 0.7$	dB
Insertion Loss		0.5		dB
Directivity	20			dB
Main Line VSWR			1.2:1	
Input Power (CW)			50	Watts

#### Mechanical Specifications

##### Size

Length	2.87 in [72.9 mm]
Width/Dia.	0.59 in [14.99 mm]
Height	0.43 in [10.92 mm]
Weight	0.097 lbs [44 g]

Click the following link (or enter part number in "SEARCH" on website) to obtain additional part information including price, inventory and certifications: [Directional 6 dB SMA Coupler From 1 GHz to 4 GHz Rated to 50 Watts PE2CP005-6](#)



Directional 6 dB SMA Coupler From 1 GHz  
to 4 GHz Rated to 50 Watts

Couplers Technical Data Sheet

PE2CP005-6

**Configuration**

Input Connector	SMA Female
Output Connector	SMA Female
Coupled Connectors	SMA Female

**Environmental Specifications**

**Temperature**

Operating Range	-55 to +85 deg C
Storage Range	-55 to +100 deg C

**Compliance Certifications** (see [product page](#) for current document)

**Plotted and Other Data**

Notes:

Directional 6 dB SMA Coupler From 1 GHz to 4 GHz Rated to 50 Watts from Pasternack Enterprises has same day shipment for domestic and International orders. Our RF, microwave and millimeter wave products maintain a 99.4% availability and are part of the broadest selection in the industry.

Click the following link (or enter part number in "SEARCH" on website) to obtain additional part information including price, inventory and certifications: [Directional 6 dB SMA Coupler From 1 GHz to 4 GHz Rated to 50 Watts PE2CP005-6](#)

URL: <https://www.pasternack.com/directional-6-db-sma-coupler-4-ghz-pe2cp005-6-p.aspx>

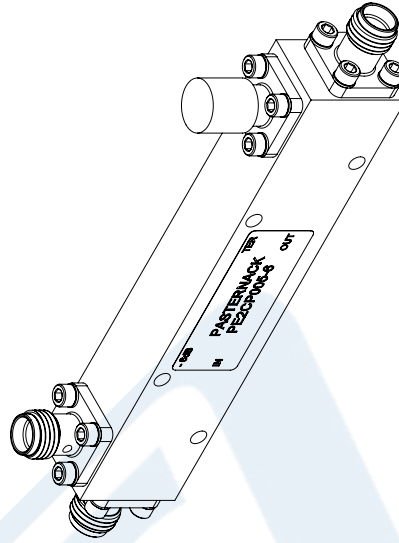
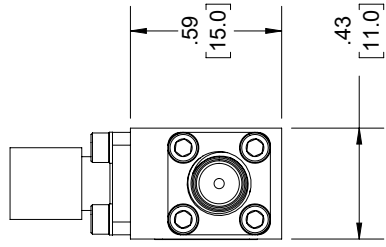
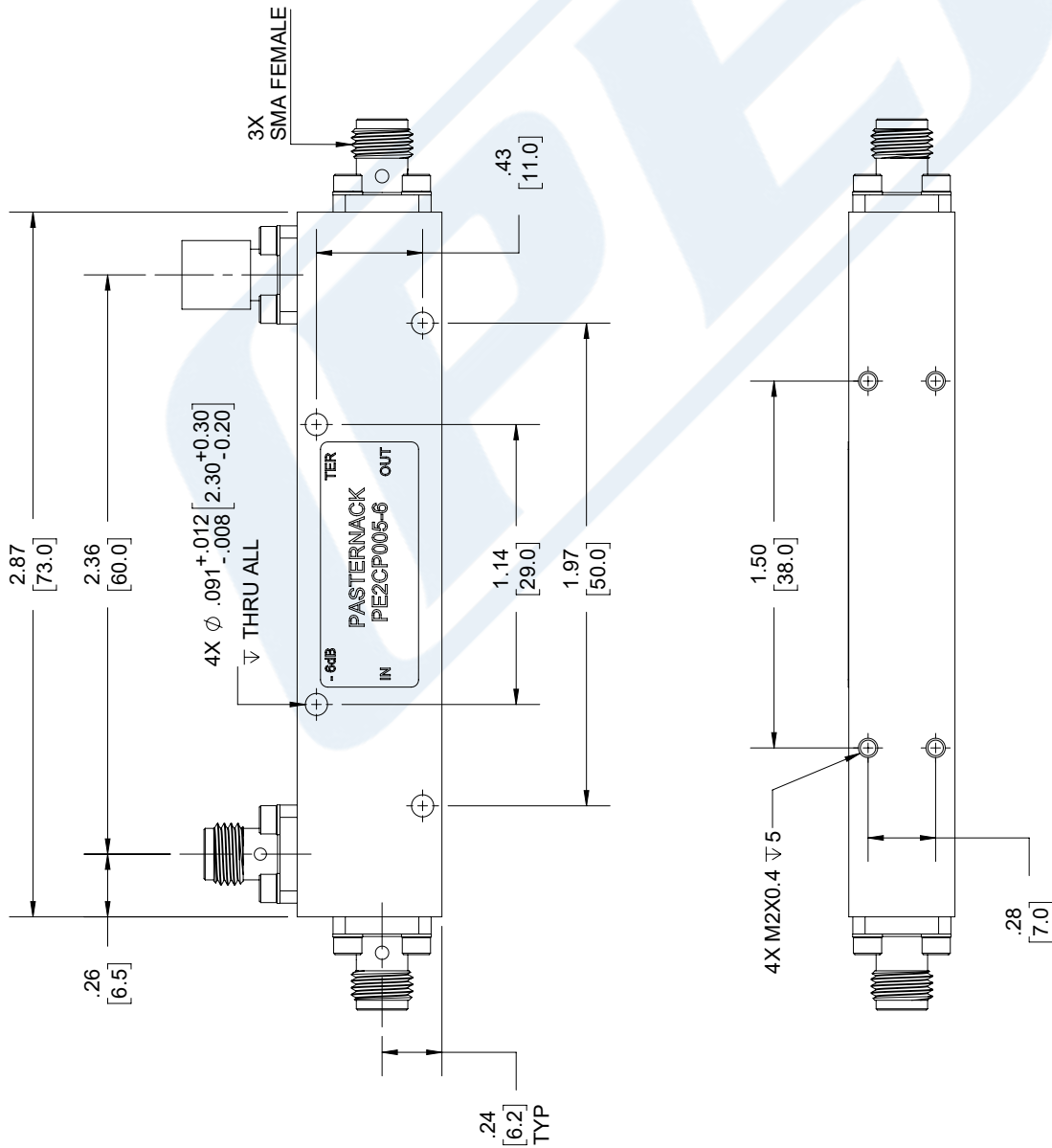
The information contained in this document is accurate to the best of our knowledge and representative of the part described herein. It may be necessary to make modifications to the part and/or the documentation of the part, in order to implement improvements. Pasternack reserves the right to make such changes as required. Unless otherwise stated, all specifications are nominal. Pasternack does not make any representation or warranty regarding the suitability of the part described herein for any particular purpose, and Pasternack does not assume any liability arising out of the use of any part or documentation.

# PE2CP005-6 CAD Drawing

Directional 6 dB SMA Coupler From 1 GHz to 4 GHz Rated to 50 Watts

### REVISIONS

REV.	DESCRIPTION	DATE	APPROVED
A	PCR MC2104-06	5/19/2020	S.PONG



UNLESS OTHERWISE SPECIFIED  
LEADING DIMENSIONS ARE INCHES  
DIMENSIONS IN [ ] ARE MILLIMETERS

TOLERANCES:  
 .X = ±.2 [5.08] FRACTIONS ± 1/32  
 .XX = ±.02 [.51] ANGLES ± 1°  
 .XXX = ±.005 [.13] CABLE LENGTH (L) TOLERANCES:  
 L ≤ 12 [305] = +1 [25] / -0  
 12 [305] < L ≤ 60 [1524] = +2 [51] / -0  
 60 [1524] < L ≤ 120 [3048] = +4 [102] / -0  
 120 [3048] < L ≤ 300 [7620] = +6 [152] / -0  
 300 [7620] < L = +5% L / -0  
 ALL DIMENSIONS SHOWN  
 ARE FOR REFERENCE ONLY.

THIRD-ANGLE PROJECTION

THE INFORMATION AND  
DESIGN IN THIS DOCUMENT  
IS THE PROPERTY OF  
PASTERNAK CORPORATION  
ALL RIGHTS RESERVED.

SHEET 1 OF 1

SCALE N/A

REV A



Pasternack Enterprises, Inc.  
 P. O. Box 16759, Irvine, CA 92623.  
 Phone: 1.949.261.1920 | 1.866.727.8376  
 Fax: 1.949.261.7451  
 Website: www.pasternack.com  
 E-mail: sales@pasternack.com

ITEM NO PE2CP005-6

SIZE A

CAGE CODE 53919

DRAWN BY K.Dang

REV A

THESE COMMODITIES, TECHNOLOGY OR SOFTWARE WERE EXPORTED FROM THE UNITED STATES IN ACCORDANCE WITH THE EXPORT ADMINISTRATION REGULATIONS. DIVERSION CONTRARY TO U.S. LAW PROHIBITED.