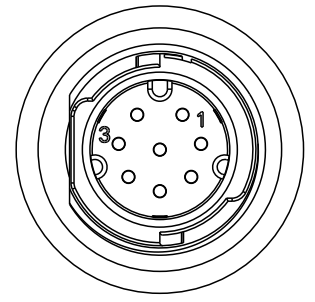
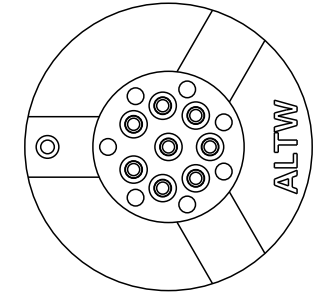
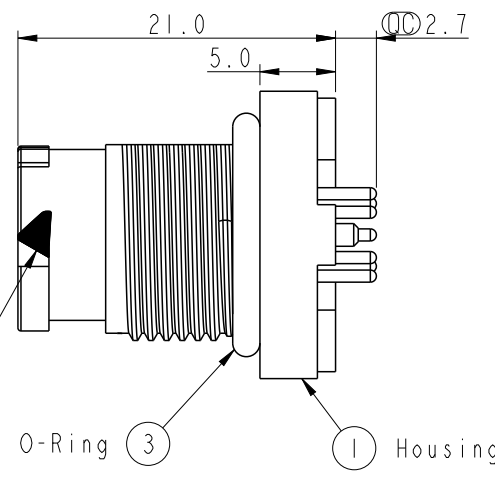
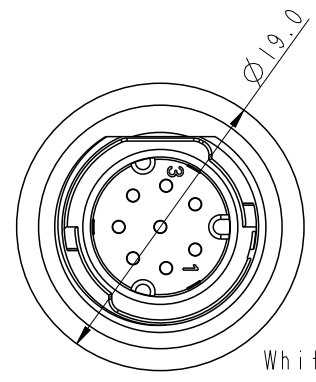


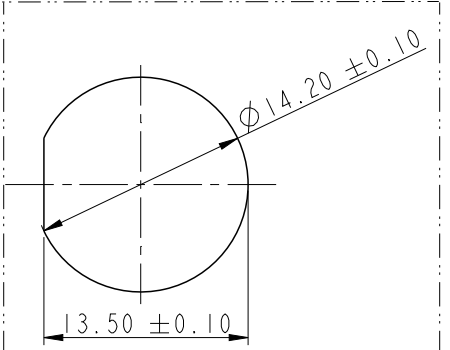
THIS DOCUMENT IS SUBJECT TO CHANGE WITHOUT NOTICE. IT IS CONFIDENTIAL AND A PROPERTY OF AMPHENOL LTW. DISCLOSURE TO THIRD PARTY HAS TO BE AUTHORIZED BY AMPHENOL LTW.

REV.	ECN NO.	DATE	SIGN	DESCRIPTION
A		2019/05/22	Gill Lai	02版轉A版

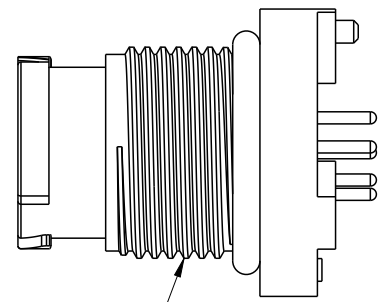
ALTW
CONFIDENTIAL
 2019-05-22
R&D DEPT.



Pin Assignments
Front View



Recommend Panel Cut Out



- Note:
- * CC Important Dimension To Check
 - * Waterproof Rate: IP68, Unmated.
In 1 meter water within 24 hours
 - * Housing: Thermoplastic, Black.
 - * Pin: Copper Alloy, Gold Plated.
 - * Nut: Thermoplastic, Black.
 - * Gasket: Rubber, Gray.
 - * Use Without Waterproof Cap
Panel Thickness Max: 4.0mm
 - * Use With Waterproof Cap
Panel Thickness Max: 3.0mm
 - * For PCB Thickness Max: 2.0mm
 - * Nut are packed separately in Zipper bags.

UNIT:mm

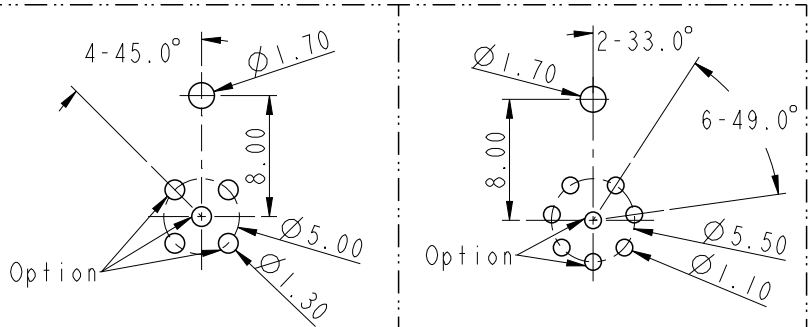
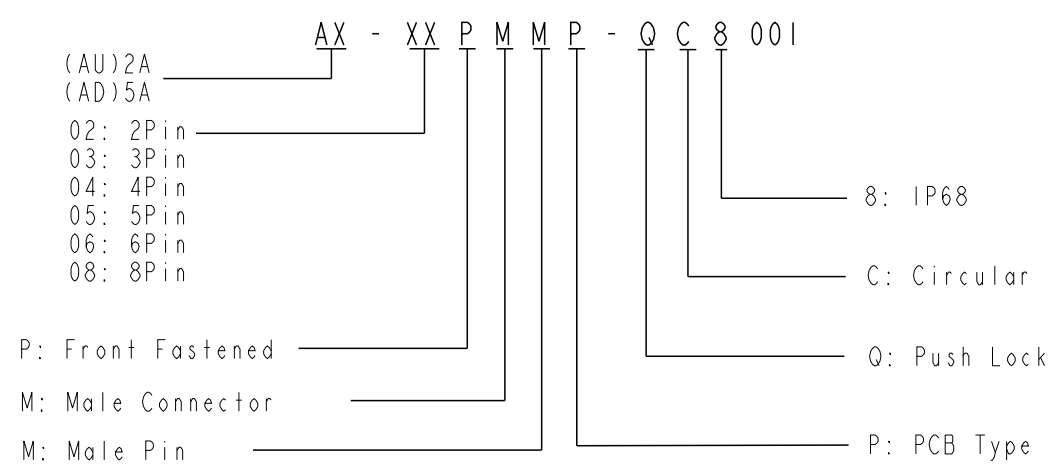
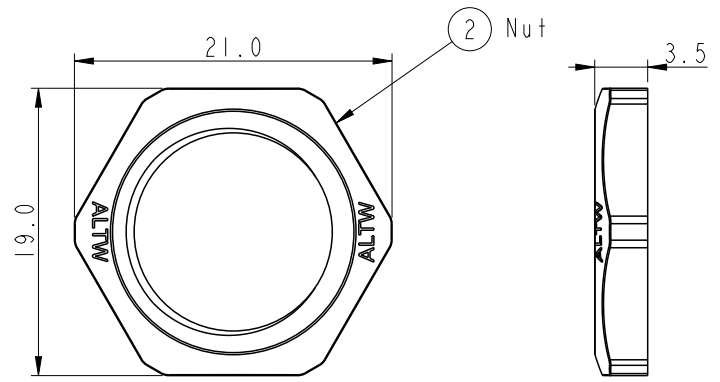
TOLERANCE ± 0.25

TITLE X Lok A-Size Receptacle Front Fastened M Conn M Pin			
SCALE 2:1	SIZE A4	SHEET 1 OF 2	
REV. A	WC-REV. A.5	CC : Inspection item	

Amphenol LTW
 安費諾亮泰企業股份有限公司

ITEM NO AX-XXPMP-OC8001	DRAWN BY Gill Lai	DATE 2019/05/22
DWG NO AX-XXPMP-OC8001	CHECKED BY Sam Ho	DATE 2019/05/22
CUSTOMER ALTW	APPROVED BY Fred Lee	DATE 2019/05/22

THIS DOCUMENT IS SUBJECT TO CHANGE WITHOUT NOTICE. IT IS CONFIDENTIAL AND A PROPERTY OF Amphenol LTW. DISCLOSURE TO THIRD PARTY HAS TO BE AUTHORIZED BY Amphenol LTW.



Recommended PCB Layout
Tolerance ± 0.05
ANGLES $\pm 1^\circ$

2PIN	3PIN	4PIN	5PIN	6PIN	8PIN
AD-02PMMP-QC8001	AD-03PMMP-QC8001	AD-04PMMP-QC8001	AD-05PMMP-QC8001	AU-06PMMP-QC8001	AU-08PMMP-QC8001

UNIT:mm			TITLE X Lok A-Size Receptacle Front Fastened M Conn M Pin		
TOLERANCE ± 0.25		SCALE 2:1	SIZE A4	SHEET 2 OF 2	
REV. A	WC-REV. A.5	QC: Inspection item			

Amphenol LTW
安費諾亮泰企業股份有限公司

ITEM NO AX-XXPMMP-QC8001	DRAWN BY Gill Lai	DATE 2019/05/22
DWG NO AX-XXPMMP-QC8001	CHECKED BY Sam Ho	DATE 2019/05/22
CUSTOMER ALTW	APPROVED BY Fred Lee	DATE 2019/05/22