

1. Scope

The present specifications shall apply to an FMN-2206S

2. Outline

| | |
|--------------|---|
| Type | Silicon Diode |
| Structure | ϕ ϕ Resin Molded Flammability : UL94V-0 (Equivalent) |
| Applications | High Frequency Rectification |

Not Recommended for New Designs

3. Absolute maximum ratings

| No. | Item | Symbol | Unit | Rating | Conditions |
|-----|--------------------------------|-------------|-------------|----------|------------------------------------|
| 1 | Transient Peak Reverse Voltage | V_{RSM} | V | 600 | |
| 2 | Peak Reverse Voltage | V_{RM} | V | 600 | |
| 3 | Average Forward Current | $I_{F(AV)}$ | A | 20 | Refer to Derating of 6 |
| 4 | Peak Surge Forward Current | I_{FSM} | A | 150 | 10msec. Half sinewave, one shot |
| 5 | I^2t Limiting Value | I^2t | A^2s | 112.5 | $1ms \leq t \leq 10s$ |
| 6 | Junction Temperature | T_j | $^{\circ}C$ | -40~+150 | |
| 7 | Storage Temperature | T_{stg} | $^{\circ}C$ | -40~+150 | |

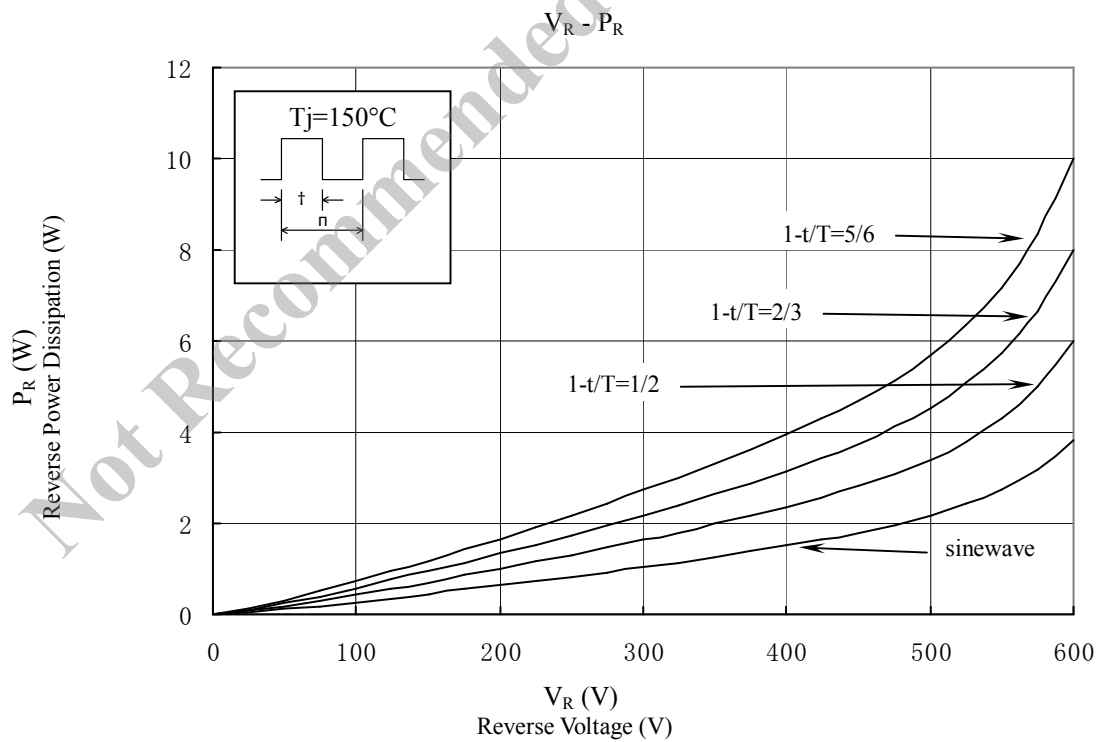
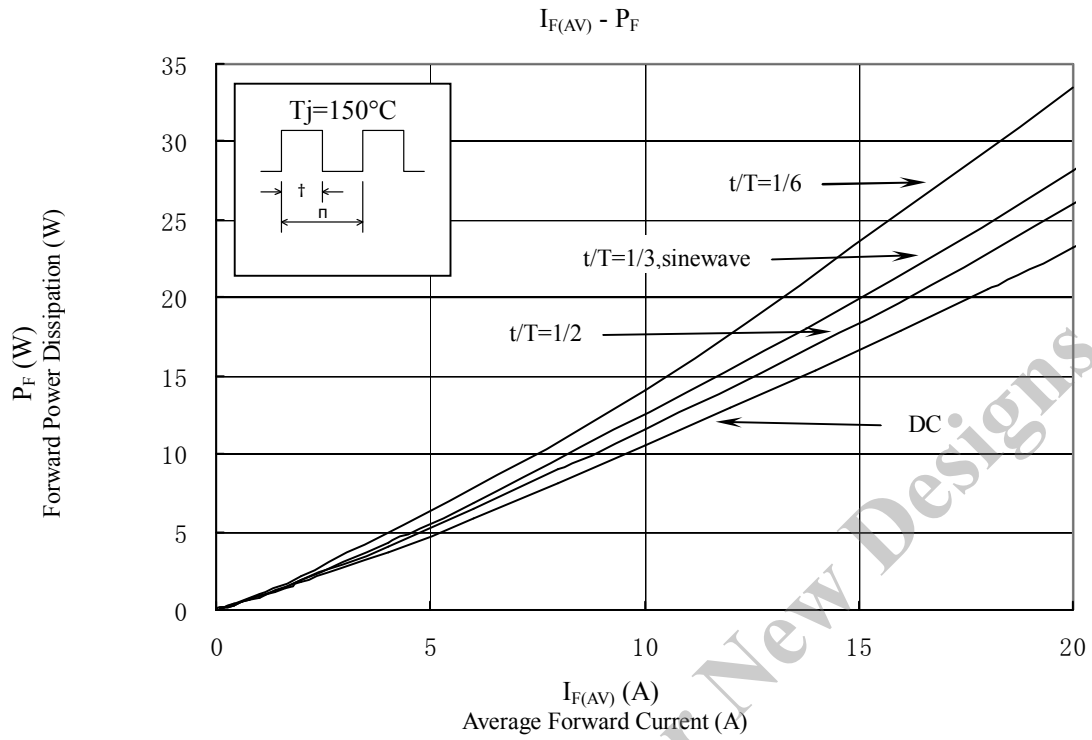
No.1,2,4&5 show ratings per one chip.

4. Electrical characteristics (Ta=25°C, unless otherwise specified)

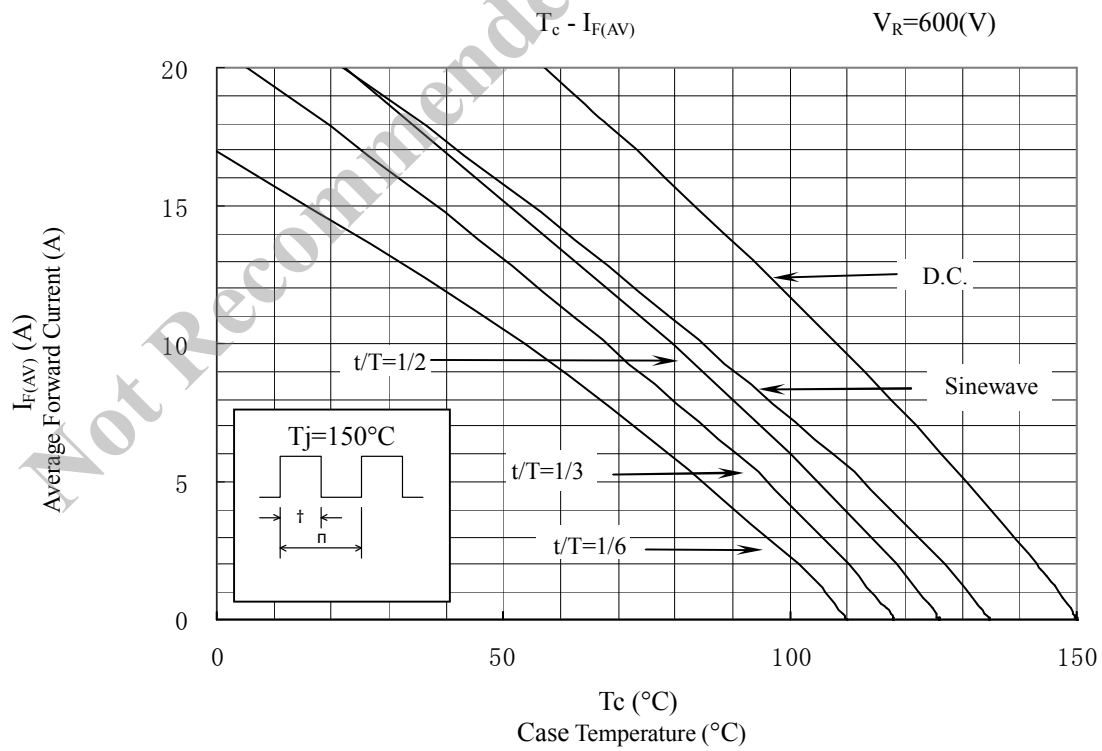
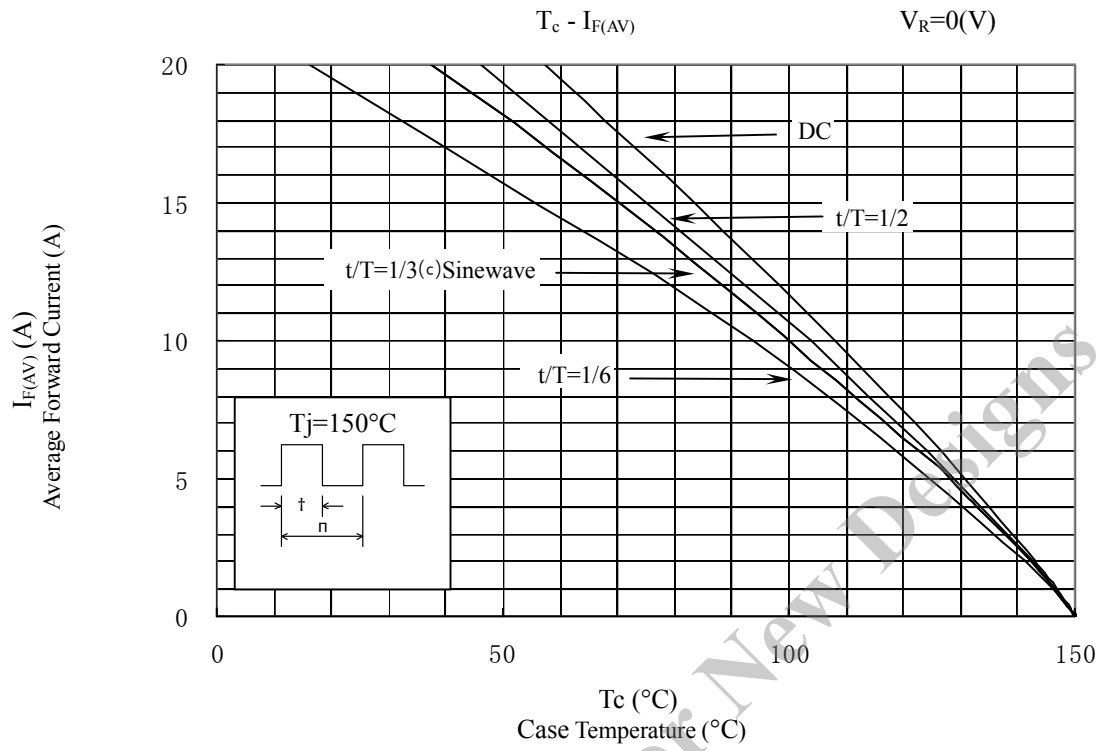
| No | Item | Symbol | Unit | Value | Conditions |
|----|--|---------------|---------------|----------|--|
| 1 | Forward Voltage Drop | V_F | V | 1.3 max. | $I_F = 10A$ |
| 2 | Reverse Leakage Current | I_R | μA | 100 max. | $V_R = V_{RM}$ |
| 3 | Reverse Leakage Current Under High Temperature | $H^n I_R$ | mA | 10 max. | $V_R = V_{RM}, T_j = 150^{\circ}C$ |
| 4 | Reverse Recovery Time | trr1 | ns | 100 max. | $I_F = I_R = 100mA$ 90% Recovery point, $T_j = 25^{\circ}C$ |
| | | trr2 | ns | 50 max. | $I_F = 100mA, I_R = 200mA,$ 75% Recovery point, $T_j = 25^{\circ}C$ |
| 5 | Thermal Resistance | $R_{th(j-c)}$ | $^{\circ}C/W$ | 4.0 max. | Between Junction and case |

No.1,2,3&4 show ratings per one chip.

5. Characteristics

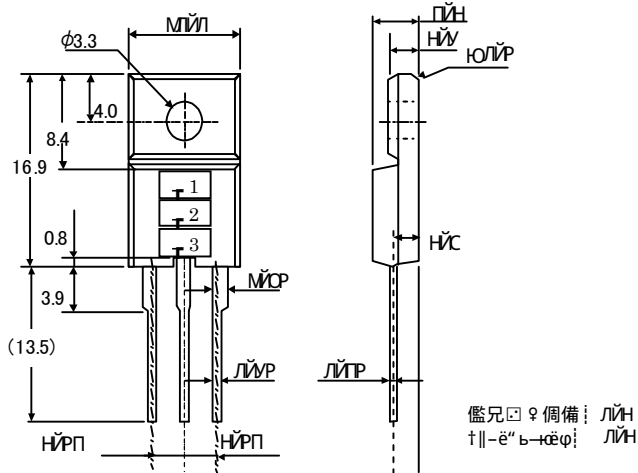


6. Derating



7. Package information

7-1 Package type, physical dimensions and material



Dimensions in 眩

7-2 Appearance

The body shall be clean and shall not bear any stain, rust or flaw.

7-3 Marking

| Type Name | Marking | | |
|-----------|------------------|-----------------|--|
| | *1φ Type Name | *2φ Polarity | *3φ Lot number |
| FMN-2206S | N2206 | | 1st letter: Last digit of year 2nd letter: Monthφ From 1 to 9 for Jan. to Sep., O for Oct., N for Nov., D for Dec. 3rd & 4th letter: Day ex. 5729φ (July,29, 2005) |

Not Recommended for New Designs