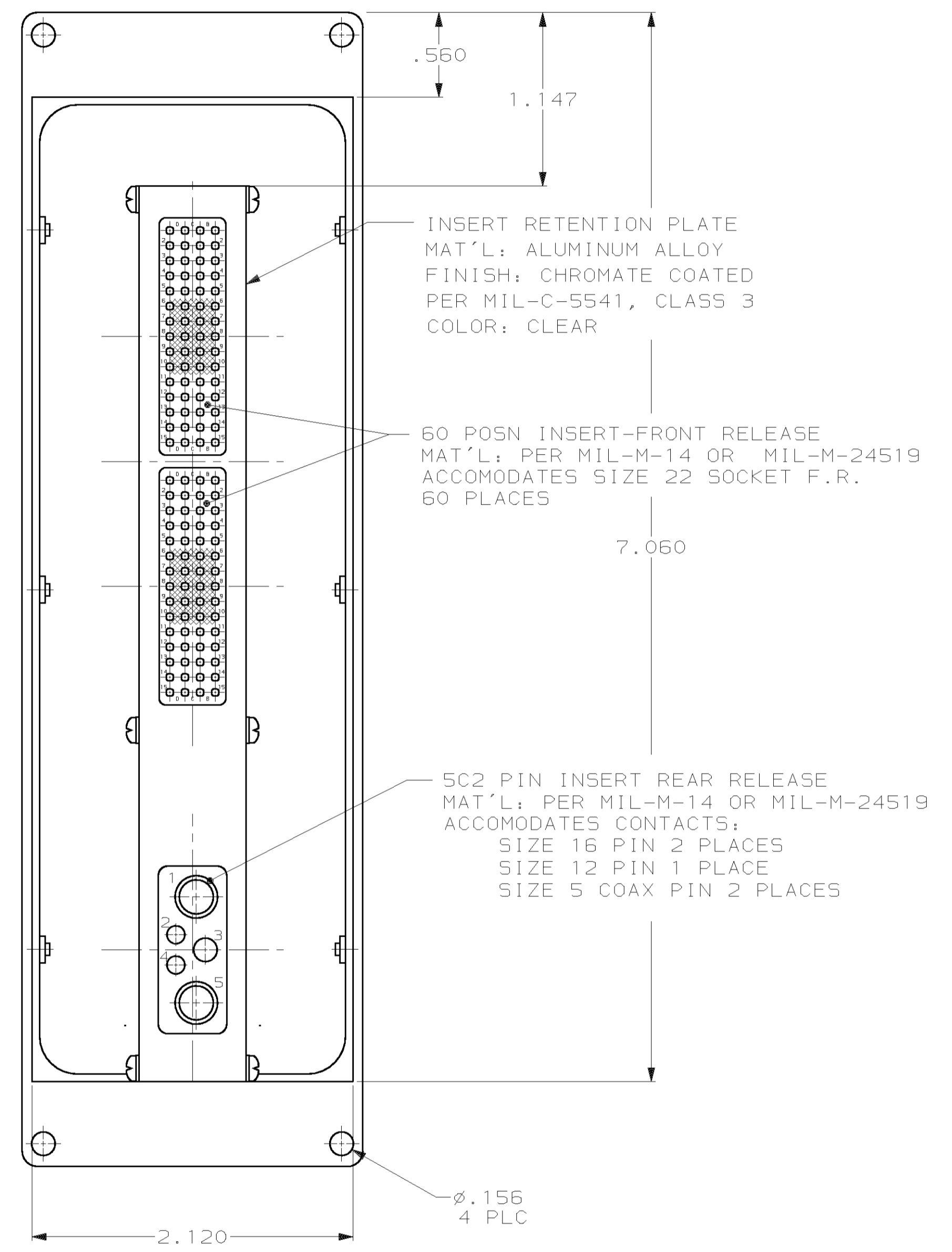
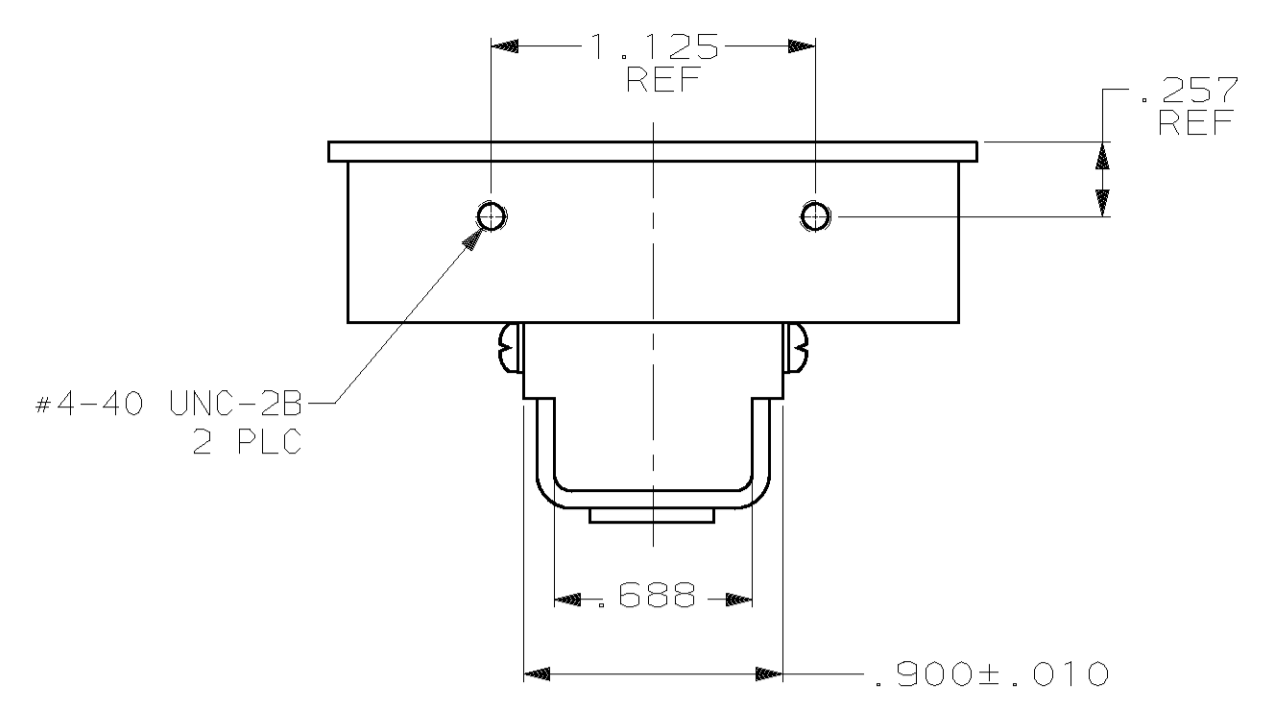
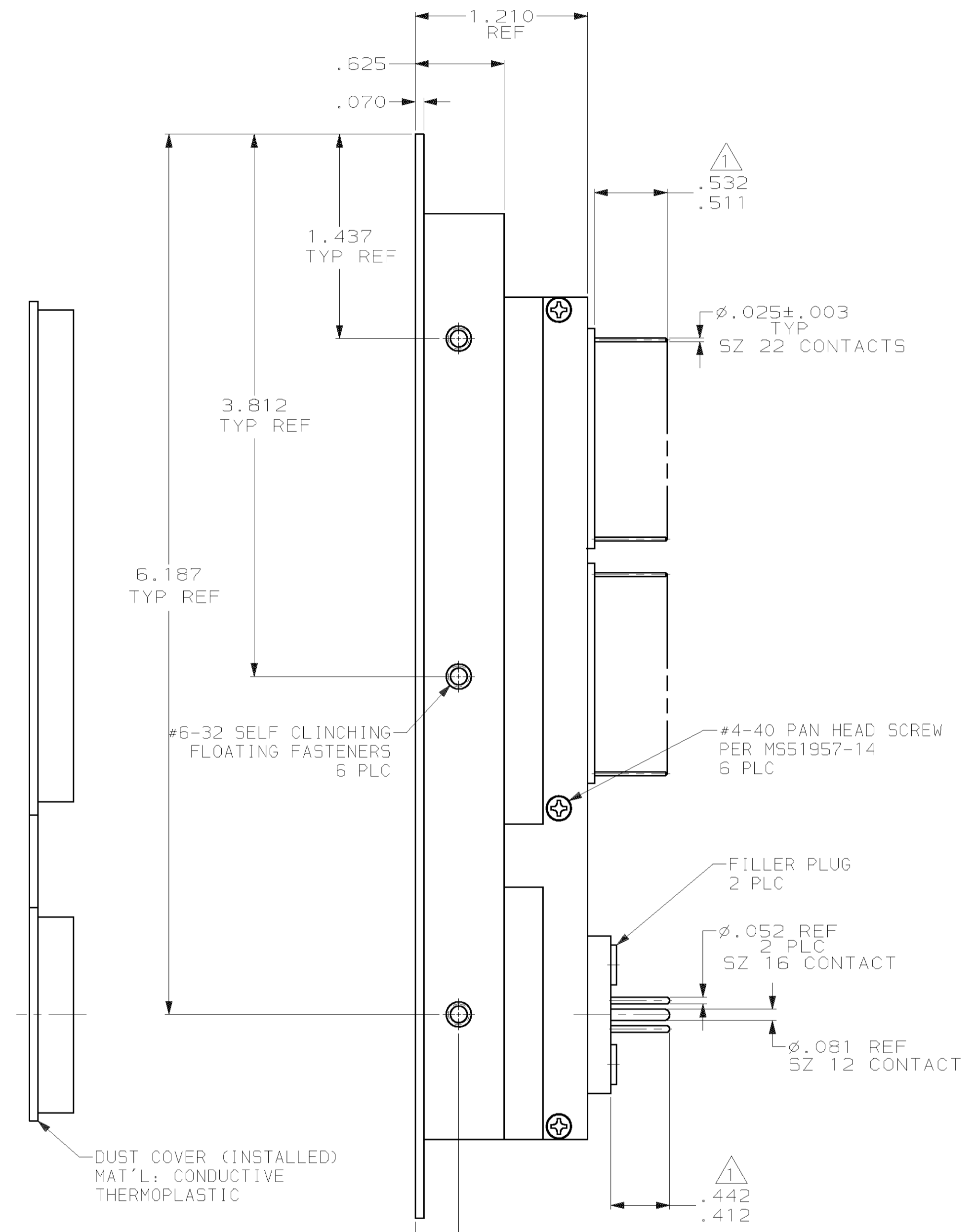
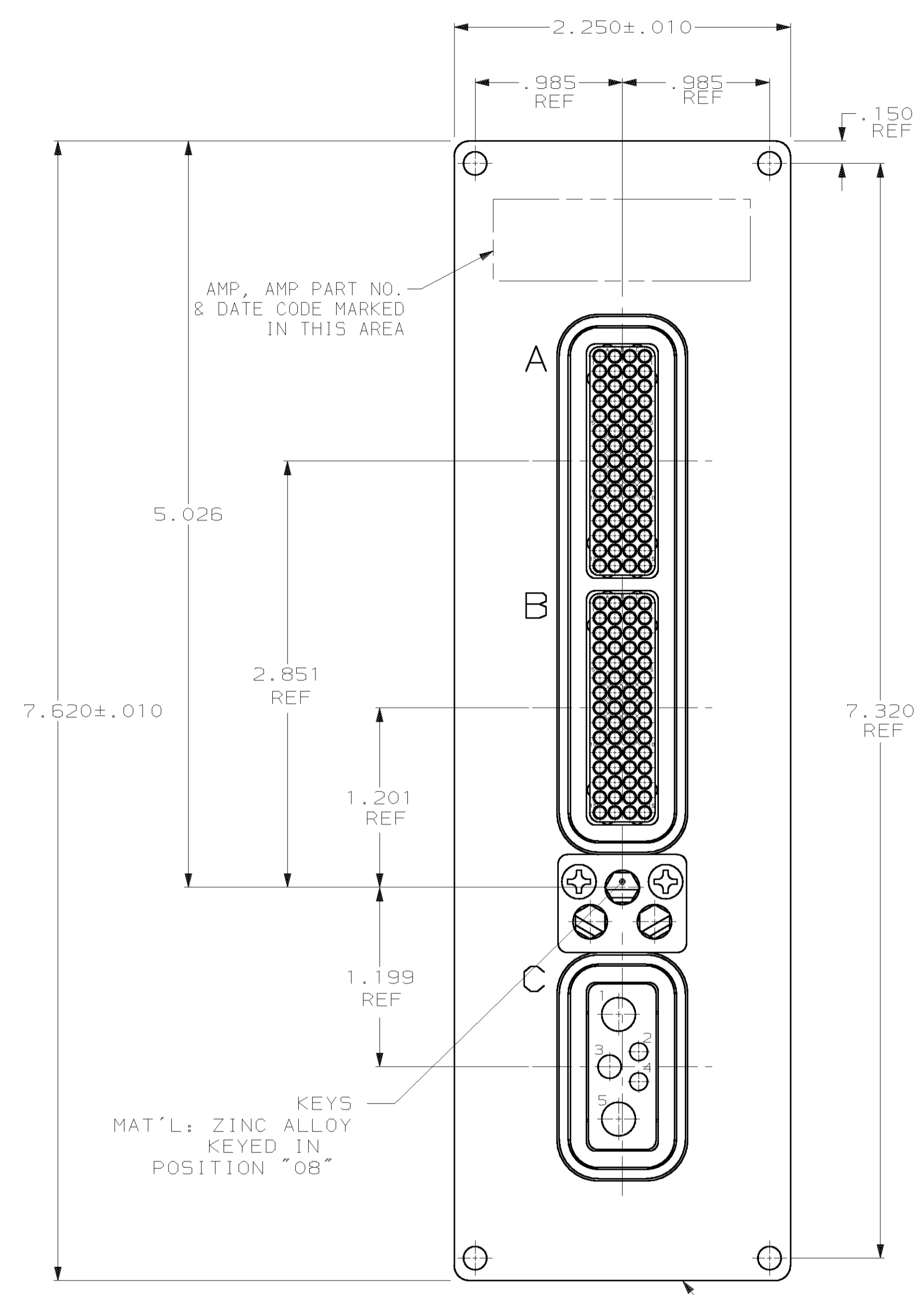
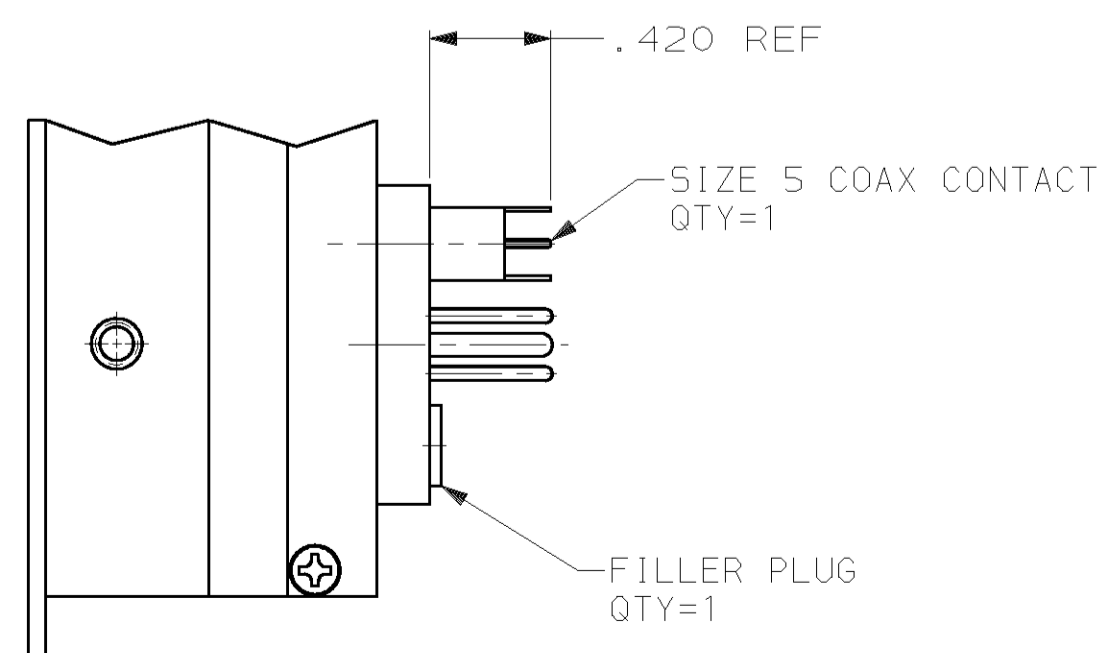


LOC	DIST	REV	DATE	APPV
DF	AO	B	1-03	CT 56

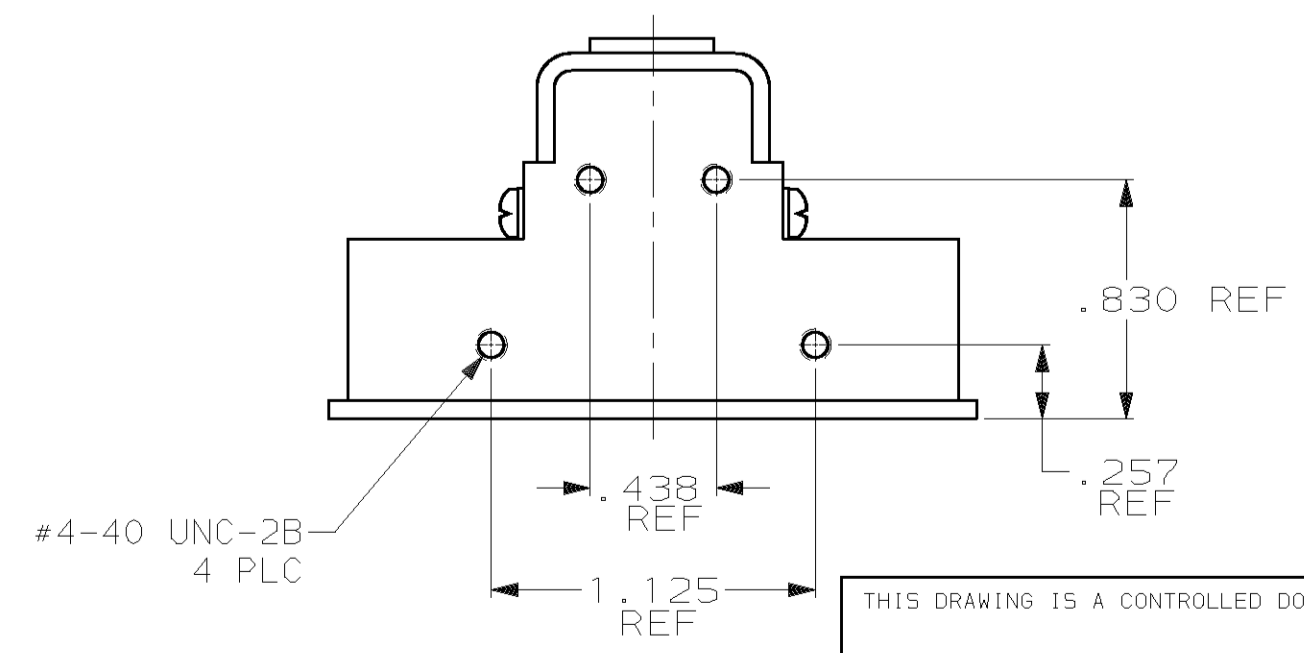


SHELL  
MAT'L: ALUMINUM ALLOY  
FINISH: CHROMATE COATED  
PER MIL-C-5541, CLASS 3  
COLOR: CLEAR



DETAIL C  
1484876-2 ONLY  
SAME AS -1 EXCEPT  
ONE (1) SIZE 5 CONTACT  
AS SHOWN

1. WITH CONTACTS FULLY SEATED TO REAR OF CAVITY.
2. CONTACT PART NUMBERS LOADED IN CONNECTOR:  
 (ALL SOLDER POSTS ARE SOLDER COATED)  
 SIZE 22 SOCKET CONTACT (120) AMP P/N 1-211431-6  
 SIZE 16 PIN CONTACT (2) AMP P/N 1663128-3  
 SIZE 12 PIN CONTACT (1) AMP P/N 1663129-3  
 SIZE 5 PIN CONTACT (1) AMP P/N 1663130-2 (1484876-2 ONLY)  
 SIZE 5 FILLER PLUG (2 ON -1/1 ON -2) AMP P/N 1663132-1



SEE DETAIL C	1484876-2
AS SHOWN	1484876-1
REMARKS	PART NUMBER

THIS DRAWING IS A CONTROLLED DOCUMENT.		DWN	C.C. THOMAS	5-15-02	 TYCO Electronics Harrisburg, PA 17105-3608
DIMENSIONS: INCHES (mm)		CHK	S. GLATFELTER	5-15-02	
TOLERANCES UNLESS OTHERWISE SPECIFIED:		APPV	S. GLATFELTER	5-15-02	RCPT ASSY, SIZE 1 SPECIAL, ARINC 600
0 PLC ±	1 PLC ±	MATERIAL		SEE CALLOUTS	SIZE CAGE CODE DRAWING NO. RESTRICTED TO A1 00779 1484876
2 PLC ±	3 PLC ±	FINISH		SEE CALLOUTS	WEIGHT -- CUSTOMER DRAWING SCALE 1.5:1 SHEET 1 OF 1 REV B
4 PLC ±	ANGLES ±	APPLICATION SPEC		SEE CALLOUTS	