

Contact assignment:

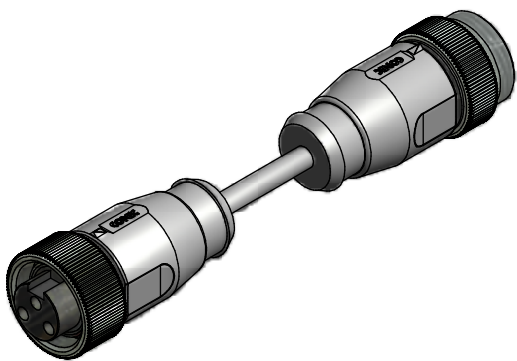
- PE) green-yellow
- 2) brown
- 3) blue

Technical specification:

Rated voltage: IEC 60664-1	300 V
Overvoltage category: IEC 60664-1	2
Overvoltage: IEC 60664-1	2,7 kV
Current rating: IEC 60512-3 at 40°C	0,75mm ² 1,5mm ² 8 A 12 A
Insulation resistance: IEC 60512	>=100 MΩ
Pollution degree: IEC 60664-1	3/2
Degree of protection: IEC 60529	IP 68, in mated condition
Temperature range: IEC 60664-1	-30°C ... +80°C
Mating cycles: IEC 60512-9a	>=100
Termination:	crimped

Materials:

Contact:	CuZn
Contact plating:	Nickel, gold plated
Contact carrier:	TPU, UL 94
Coupling nut/ screw:	CuZn, nickel plated
Moulding body:	TPU, UL 94, grey



Part no:	Description:	Length L:	Cable:
41-01193	SAL - 7/8 - RK2PE - RS2PE - 0,6 / A6	0,6m	PVC, UL 20207, grey, 3x0,75mm ² Cable: 781-A67500
41-01194	SAL - 7/8 - RK2PE - RS2PE - 1 / A6	1m	
41-01195	SAL - 7/8 - RK2PE - RS2PE - 1,5 / A6	1,5m	
41-01196	SAL - 7/8 - RK2PE - RS2PE - 2 / A6	2m	
41-xxxxx	SAL - 7/8 - RK2PE - RS2PE - ... / A6	x	
41-01241	SAL - 7/8 - RK2PE - RS2PE - 0,6 / A6 / 150	0,6m	PVC, UL 20207, grey, 3x1,50mm ² Cable: 781-A68300
41-01242	SAL - 7/8 - RK2PE - RS2PE - 1 / A6 / 150	1m	
41-01243	SAL - 7/8 - RK2PE - RS2PE - 1,5 / A6 / 150	1,5m	
41-01244	SAL - 7/8 - RK2PE - RS2PE - 2 / A6 / 150	2m	
41-xxxxx	SAL - 7/8 - RK2PE - RS2PE - ... / A6 / 150	x	

D see data sheet cable

DO NOT ALTER CAD DRAWING BY HAND	Directive 2002/95/EC RoHS compliant	Index: b 14.02.11 VF Ä3891 cable type changed, technical specification changed, part no. cable in table added, neutral line added	dim. in mm	title: Connecting cable 7/8", female connector axial - male connector axial		
		tolerance of cable: L ≤ 4m: L + 40mm L > 4m: L + 1%		date	name	dwg no:
		THIS DRAWING MAY NOT BE COPIED OR REPRODUCED IN ANY WAY, AND MAY NOT BE PASSED ON TO A THIRD PARTY WITHOUT WRITTEN PERMISSION. OWNERSHIP AND COPYRIGHT OF CONEC GmbH	drawn	11.02.08	Franz	
			appd.	11.02.08	Mankopf	part no: see table

