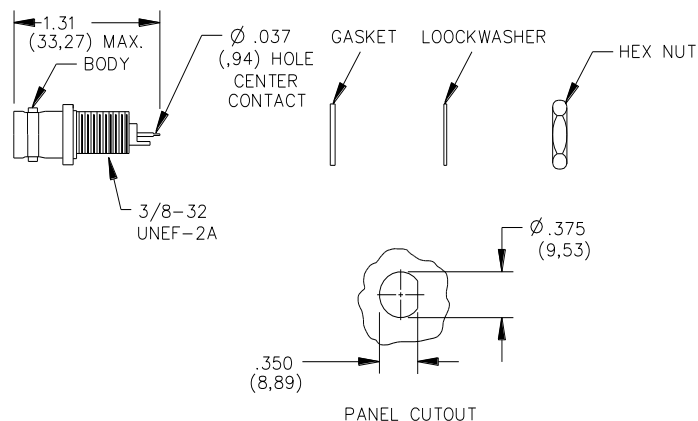
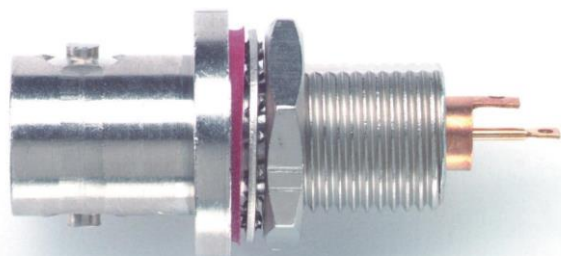


Model 4388
Triaxial BNC, Hermetic Sealed, Bulkhead Receptable



Features

- Mounts onto smooth surface panels up to 6.35mm (.25in)
- Hermetic Seal – 50 PSI differential pressure
- Leakage rate less than 10^{-7} cc/sec of tracer gas at one atmosphere

Materials

Body and Fittings: Brass, Alloy 360, 1/2 Hard

Dielectric: PTFE

Center and Intermediate Contacts: Gold Plated Beryllium Copper, Cond. HT.or Brass per body.

Gasket: Silicone rubber per ZZ-R-765, Class 11, Grade 50.

Finish: Body and Fittings – Tarnish resistant.

Center and Intermediate Contacts – Gold plate per requirements of MIL-C-49142.

Ratings

Nominal Impedance: 50Ω

Operating Voltage: 500 Vrms

Frequency: DC to 500 MHz

Operating Temperature: -65°C to +165°C (-85°F to +329°F)

Insulation Resistance: 5000 MΩ

Ordering Information

Model: 4388

USA: Sales: 800-490-2361
 Technical Support: technicalsupport@pomonatest.com
 Fax: 425-446-5844

Europe: 31-(0) 40 2675 150 **International:** 425-446-5500

Where to Buy: www.pomonaelectronics.com

All dimensions are in inches. Tolerances (except noted): .xx = $\pm .02$ " (.51 mm), .xxx = $\pm .005$ " (.127 mm). All specifications are to the latest revisions. Specifications are subject to change without notice. Registered trademarks are the property of their respective companies.