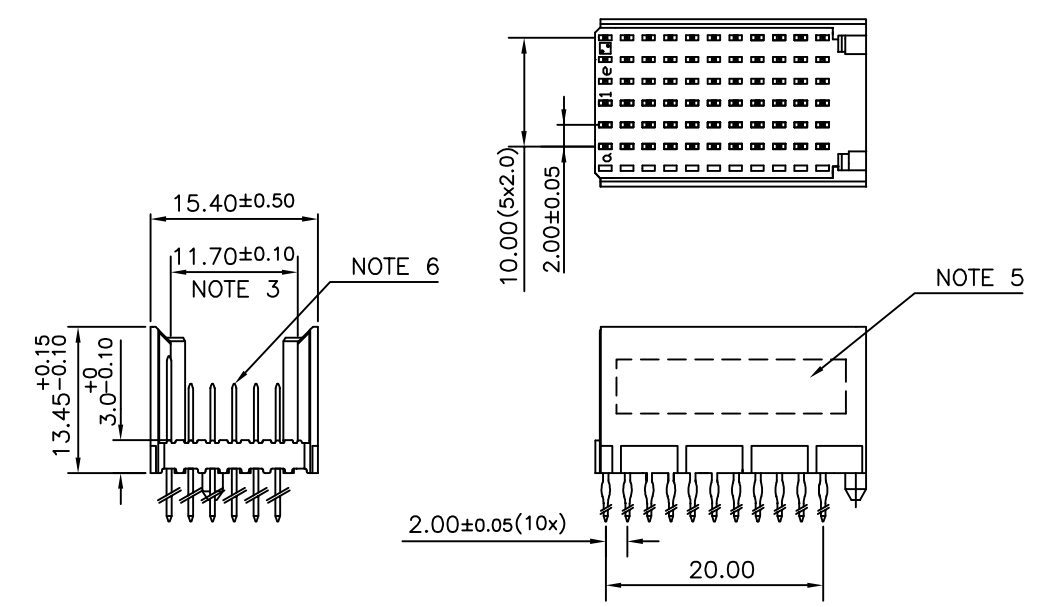


1 | 2 | 3 | 4 | 5 | 6

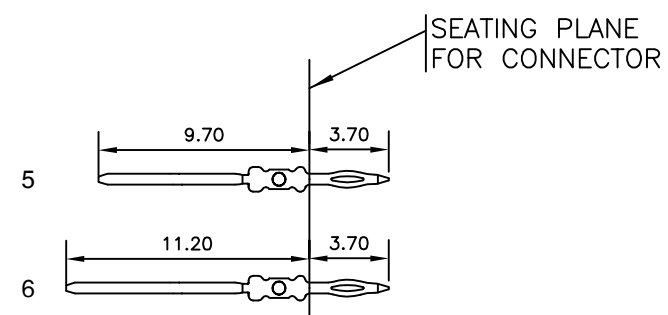
LOADING PATTERN MATING SIDE

f	6	6	6	6	6	6	6	6	6	6
e	5	5	5	5	5	5	5	5	5	6
d	5	5	5	5	5	5	5	5	5	6
c	5	5	5	5	5	5	5	5	5	6
b	5	5	5	5	5	5	5	5	5	5
a	5	5	5	5	5	5	5	5	5	6
z	0	0	0	0	0	0	0	0	0	0
P	0									
O	1									
S		5								
			1							

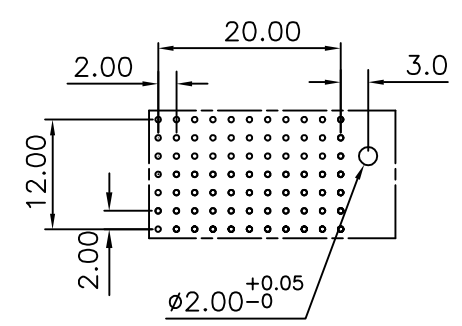
LOADED CONNECTOR ASSEMBLY
(FOR EXAMPLE)



CONTACT OVERVIEW



LAY-OUT P.C.B.-HOLE



HM2P09PDE3J5 LEAD FREE INDICATOR : LF = LEAD FREE (DIGIT 15 & 16)
PLATING CODE (DIGIT 13 AND 14) (REF DRW NO. BS,C , 201844 , 003)

NOTES

- THIS PRODUCT IS CSA APPROVED.
 - THIS PRODUCT IS UL RECOGNIZED.
 - MEASURED AT THE BOTTOM.
 - MATERIAL CONTACT: PHOSPHORBRONZE
HOUSING: CREAM WHITE GLASS FILLED POLYESTER UL-94V0
 - CONNECTOR PRINTED WITH P/N AND DATE CODE.
 - FOR ACTUAL CONTACT LOADINGS, SEE LOADING PATTERN MATING SIDE.
 - SHAPE OF CONNECTOR HOUSING CAN ALTER DEPENDING ON PRODUCTION LOCATION
 - THE PRODUCT (LF) MEETS EUROPEAN UNION DIRECTIVES AND OTHER COUNTRY REGULATIONS AS DESCRIBED IN GS-22-008
 - FOR RECOMMENDED PTH DIMENSIONS REFER DRAWING : BS, A , 201572 , 001
- CATALOG NO: HM2P09PDE3J5- ---

mat'l. code SEE NOTE 4				surface ISO 1302 <input checked="" type="checkbox"/> ISO 406 ISO 1101		tolerance ISO 406 ISO 1101		projection 		product family MLLIPACS			
ltr				ecn no		dr		date		title			
A				I04-0075		MINI		2004/09/07		MPACS 5+2R STR HDR PF CONN TYPE C			
B				I05-0189		MINI		2005/10/13					
C				I06-0090		MINI		2006/06/27					
						dr		MINI K VANDANATH 2004/09/07		dwg no		sheet 1 of 1 size	
						enr		BIJU K PAUL 2004/09/07		BS, C ,203028, 143		A3	
						chr		BIJU K PAUL 2006/06/27		type		Product Customer Drawing	
						appd		BIJU K PAUL 2006/06/27					
sheet index		revision sheet		c									
		1											

FCI
FCIconnect.com

Copyright FCI