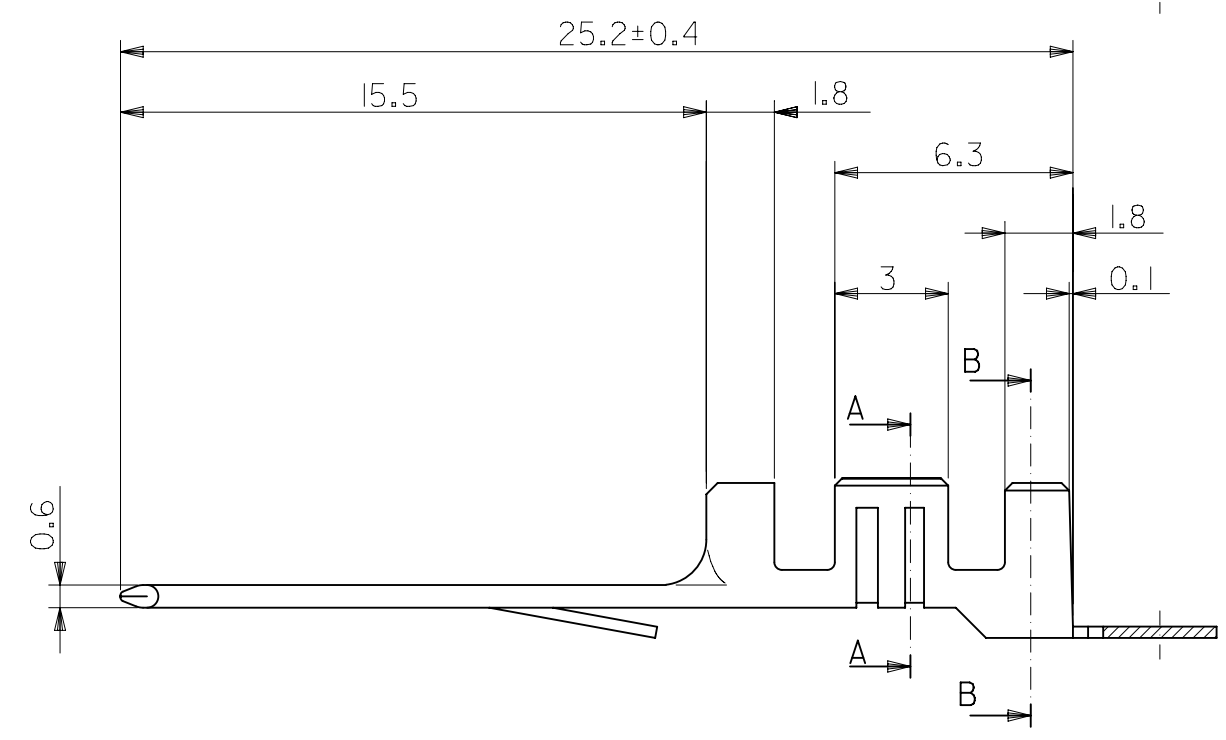
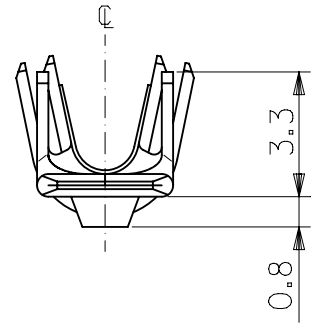


- 注)
NOTES:
1. 材質
MATERIAL
黄銅 (板厚: 0.3)
BRASS (THICKNESS: 0.3)
 2. メッキ仕様
TERMINAL PLATING
接点部 : 金メッキ 0.25 μm MIN.
CONTACT AREA : GOLD 0.25 MICROMETER MIN.
圧着部 : 錫メッキ 1.0 μm MIN.
CRIMP AREA : TIN 1.0 MICROMETER MIN.
下地メッキ : ニッケルメッキ 2.0 μm MIN.
UNDER PLATE : NICKEL 2.0 MICROMETER MIN.
 3. 適用電線範囲 : UL 2517 , AWG #16
APPLICABLE WIRE RANGE : UL2517 , AWG #16
 4. 被覆外径 : φ2.2~φ2.7
INSULATION EXTERNAL DIA : φ2.2~φ2.7
 5. 適用ハウジングアッセンブリ : 51194 シリーズ
APPLICABLE HOUSING ASS'Y : 51194 SERIES
 6. 本製品は59320-**-90の鉛フリー品である。
THIS PRODUCT IS LEAD FREE OF 59320-**-90.



GENERAL TOLERANCES:
(UNLESS SPECIFIED)
一般公差

10 UNDER 未満	±0.2
10 OVER 以上 30 UNDER 未満	±0.25
30 OVER 以上	±0.3
ANGLE 角度	± 3°

THIS DRAWING CONTAINS INFORMATION THAT IS PROPRIETARY TO MOLEX ELECTRONIC TECHNOLOGIES, LLC AND SHOULD NOT BE USED WITHOUT WRITTEN PERMISSION

DIMENSION UNITS	SCALE
mm	1:1
GENERAL TOLERANCES (UNLESS SPECIFIED)	
4 PLACES	±
3 PLACES	±
2 PLACES	±
1 PLACE	±
0 PLACES	±
ANGULAR TOL	± °
DRAFT WHERE APPLICABLE MUST REMAIN WITHIN DIMENSIONS	

連鎖状 CHAIN	59320-9028	59320-**-28
端子形状 TERMINAL CONFIGURATION	MATERIAL No.	MODEL NO.
molex		
POWER PLUG CRIMP TERM -LEAD FREE-		
PRODUCT CUSTOMER DRAWING		
EC NO: 667388 DRWN: SKANDB CHKD: GGA APPR: GGA	2021/04/22 2021/07/05 2021/07/05	DOCUMENT NUMBER SD-59320-002
INITIAL REVISION: DRWN: Y.WADA APPR: M.SASAO	2004/03/29 2004/03/29	DOC TYPE PSD
THIRD ANGLE PROJECTION	DRAWING B-SIZE	SERIES 59320
MATERIAL NUMBER SEE TABLE	CUSTOMER GENERAL MARKET	REVISION A
SHEET NUMBER 1 OF 1		