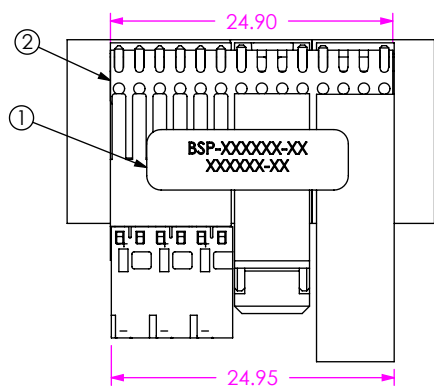
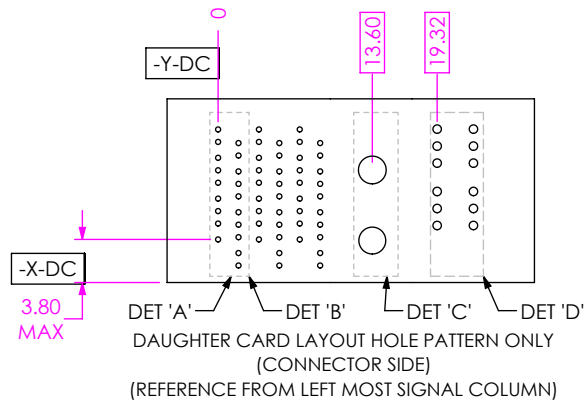
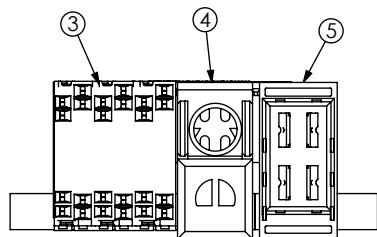


REVISION

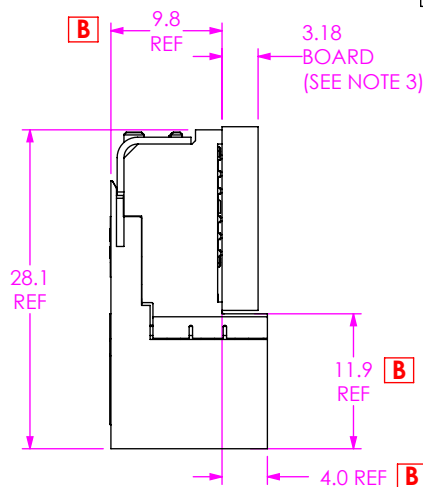
0	TB	J Sprigler
3/15/2022	ECN-429957	ISSUE FOR REVIEW
A	Tq	J Sprigler
4/14/2022	ECN-431813	RELEASE FOR PRODUCTION; DEL *** CONCEPT DRAWING ***
B	JB	J Sprigler
4/25/2022	ECN-432510	RIGHT VIEW: CHG 9.80 REF TO 9.8 REF, 4.00 DREF TO 4.0 REF, & 11.90 TO 11.9; BTM VIEW: CHG 13.90 REF TO 13.9 REF.



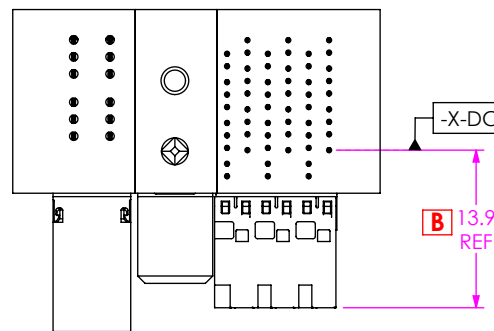
TOP VIEW



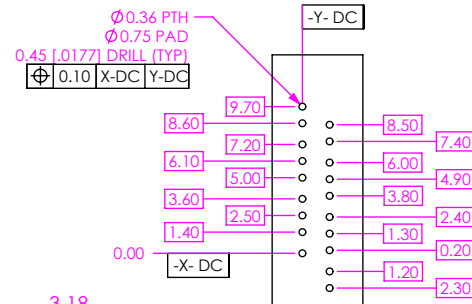
FRONT VIEW



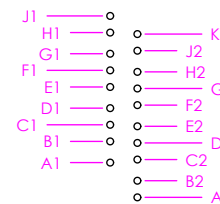
RIGHT VIEW



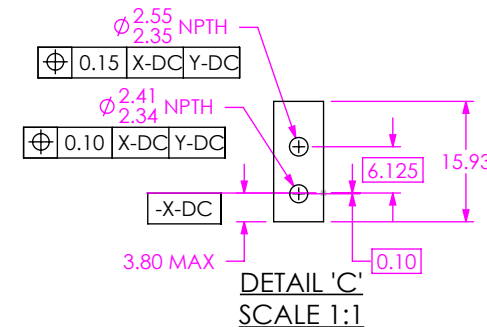
BOTTOM VIEW



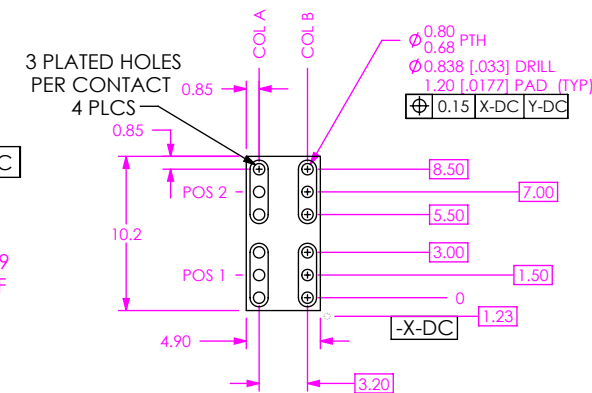
DETAIL 'A' SCALE 2:1



DETAIL 'B' SCALE 2:1



DETAIL 'C' SCALE 1:1



DETAIL 'D' SCALE 2:1

- NOTES:
- Ⓢ REPRESENTS A CRITICAL DIMENSION.
 - NO SURFACE TRACES IN KEEP OUT ZONE
 - REFER TO SAMTEC XCEDE® HD PRODUCT SPECIFICATION.

PROPRIETARY NOTE
 THIS DOCUMENT CONTAINS CONFIDENTIAL AND PROPRIETARY INFORMATION AND ALL DESIGN, MANUFACTURING, REPRODUCTION, USE, PATENT RIGHTS AND SALES RIGHTS ARE EXPRESSLY RESERVED BY SAMTEC, INC. THIS DOCUMENT SHALL NOT BE DISCLOSED, IN WHOLE OR PART, TO ANY UNAUTHORIZED PERSON OR ENTITY NOR REPRODUCED, TRANSFERRED OR INCORPORATED IN ANY OTHER PROJECT IN ANY MANNER WITHOUT THE EXPRESS WRITTEN CONSENT OF SAMTEC, INC.



520 PARK EAST BLVD, NEW ALBANY, IN 47150
 PHONE: 812-944-6733 FAX: 812-948-5047
 e-Mail info@SAMTEC.com code 55322

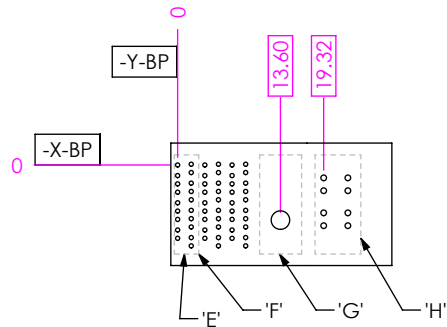
TOLERANCES DO NOT APPLY TO REFERENCE DIMENSIONS.
 UNLESS OTHERWISE SPECIFIED, DIMENSIONS ARE IN MILLIMETERS.
 TOLERANCES ARE:
 DECIMALS ANGLES
 .X: ±.25[0.1] 3°
 .XX: ±.125[0.05]
 DO NOT SCALE DRAWING SCALE: 1:5:1

DESCRIPTION:
 XCEDE® HD DAUGHTER CARD ASSEMBLY
 DWG. NO.
BSP-226769-01
 BY: T BEHAGG 03/15/22 SHEET 1 OF 2

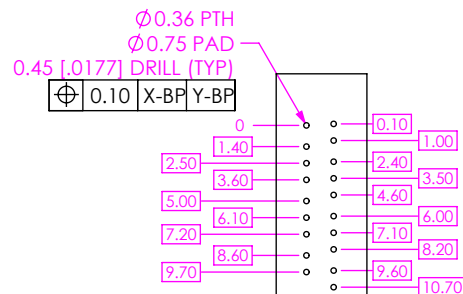
BSP-226759-01 BOM

ITEM NO.	PART NUMBER	DESCRIPTION	QTY
1	HDRL-10	LABEL	1
2	SUB-WT-107-024.9	XCEDE HD 3-PAIR STIFFENER	1
3	SUB-HDTF-3-06-S-RA-LC-100	XCEDE HD SIGNAL MODULE 3-PAIR 6-COLUMN, STD GOLD, RA, STANDARD, 100 OHMS	1
4	SUB-HGPF-3-RA-P-1	XCEDE HD 3-PAIR POLYMER GUIDE MODULE NO GND, NO KEY	1
5	SUB-HPTT-3-S-6-6-D-RA	XCEDE HD POWER MODULE 3-PAIR, 5.5MM, STD GOLD	1

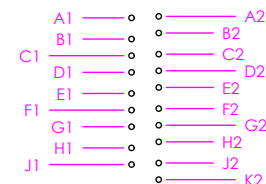
RECOMMENDED BACKPLANE - FOR CUSTOMER LAYOUT PURPOSES ONLY



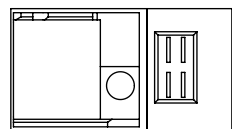
BACKPLANE LAYOUT HOLE PATTERN ONLY
(CONNECTOR SIDE)
(REFERENCE FROM LEFT MOST SIGNAL COLUMN)



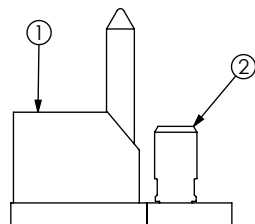
DETAIL 'E'
SCALE 2 : 1



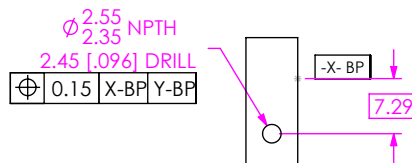
DETAIL 'F'
SCALE 2 : 1



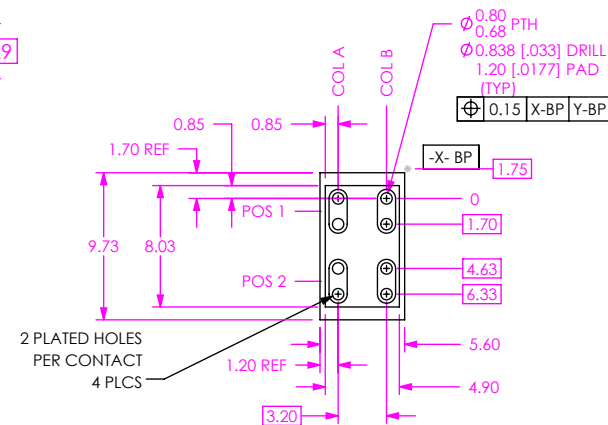
TOP VIEW



FRONT VIEW



DETAIL 'G'
SCALE 2 : 1



DETAIL 'H'
SCALE 1 : 1

PROPRIETARY NOTE
 THIS DOCUMENT CONTAINS CONFIDENTIAL AND PROPRIETARY INFORMATION AND ALL DESIGN, MANUFACTURING, REPRODUCTION, USE, PATENT RIGHTS AND SALES RIGHTS ARE EXPRESSLY RESERVED BY SAMTEC, INC. THIS DOCUMENT SHALL NOT BE DISCLOSED, IN WHOLE OR PART, TO ANY UNAUTHORIZED PERSON OR ENTITY NOR REPRODUCED, TRANSFERRED OR INCORPORATED IN ANY OTHER PROJECT IN ANY MANNER WITHOUT THE EXPRESS WRITTEN CONSENT OF SAMTEC, INC.



520 PARK EAST BLVD., NEW ALBANY, IN 47150
 PHONE: 812-944-6733 FAX: 812-948-5047
 e-Mail info@SAMTEC.com code 55322

DO NOT SCALE DRAWING

DESCRIPTION:
 XCEDE® HD DAUGHTER CARD ASSEMBLY
 DWG. NO.

BSP-226769-01

SHEET SCALE: 1:1

BY: T BEHAGG 03/15/22 SHEET 2 OF 2

BSP-226769-01-VT BOM

ITEM NO.	PART NUMBER	DESCRIPTION	QTY
1	HDTM-3-06-1-S-VT-5-R-2	XCEDE HD 3-PAIR 6-COLUMN VT, RT POL, NO KEY, 2MM WIPE, .0177" DRILL, STD GOLD	1
2	HPTS-3-S-D-VT	XCEDE HD 3-PAIR POWER MODULE, STD GOLD	1