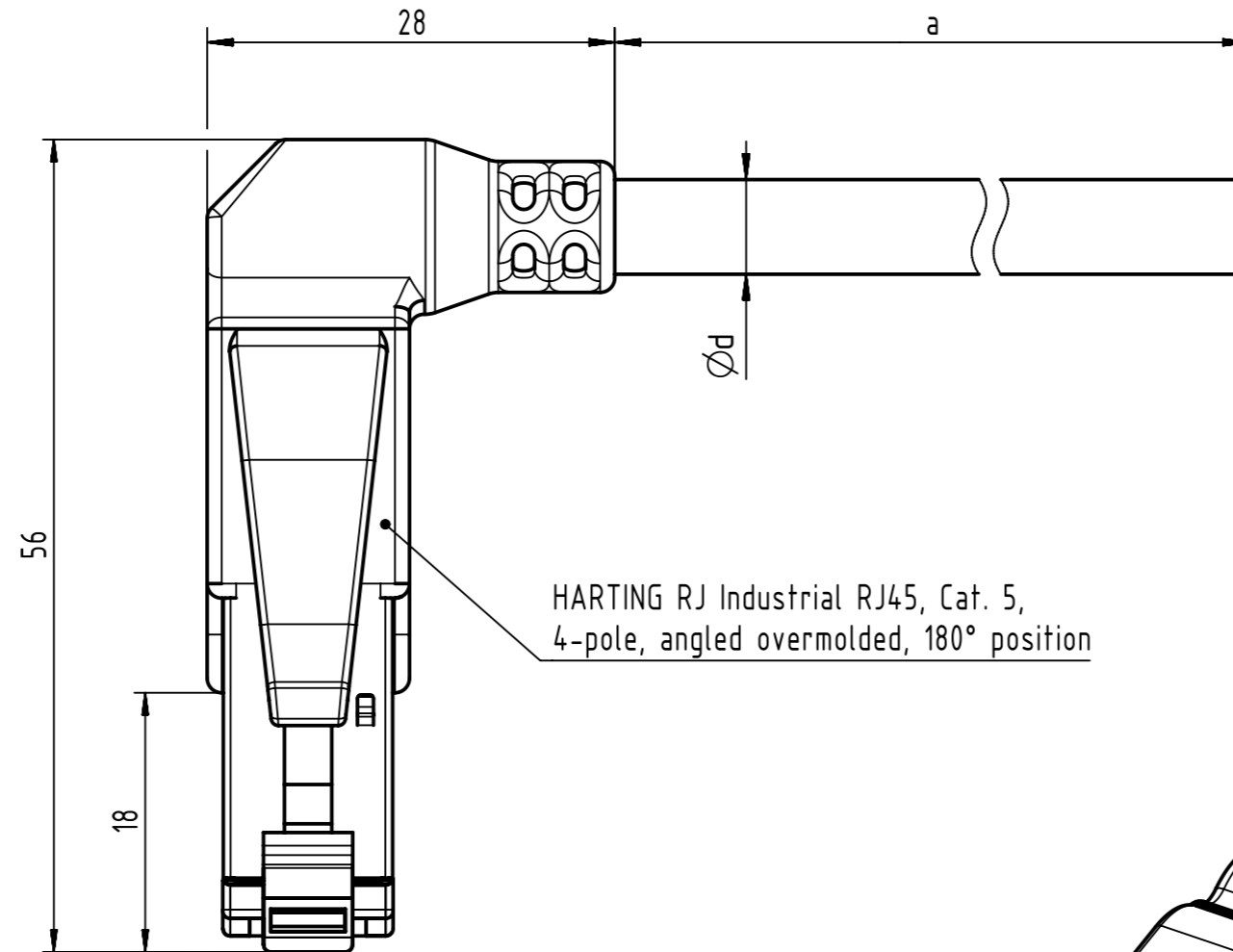


Connector Location A

Connector Location B

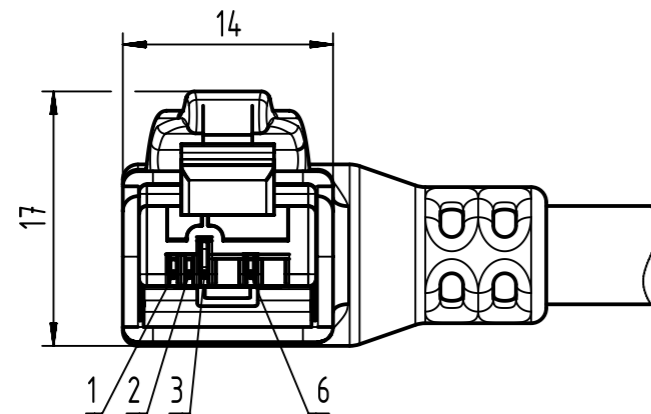
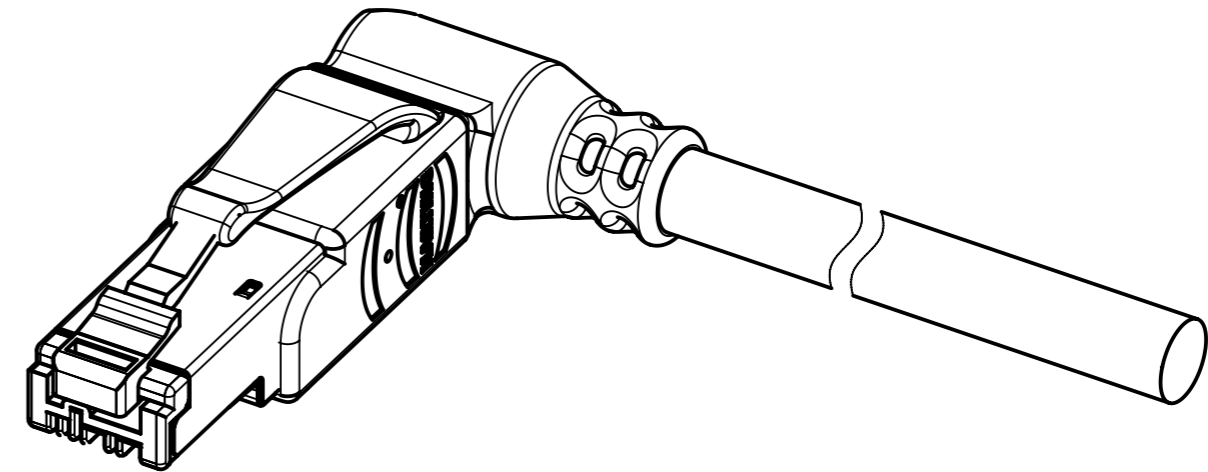


HARTING RJ Industrial RJ45, Cat. 5,  
4-pole, angled overmolded, 180° position

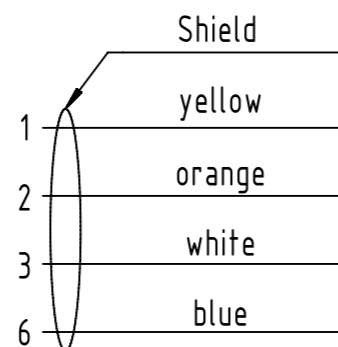
Mating face RJ45 acc. to IEC 60603-7



X  
male



Loading Plan




- Protection level: IP20
- Temperature range: -40°C ... +70°C

		All Dimensions in mm		Tech. Character.		Free size tol.		According to production drawing	
All rights reserved Department HCS - RO		Created by BANCIUD Banciu		Inspected by COSTEA Costea		Standardisation MUNTEANV Muntean		Date 2019-08-08	
HARTING Customised Solutions D-32339 Espelkamp		Title RJ Industrial Cable Assembly				State Final Release		Doc-Key / ECM-Nr. 100081066/UGD/014/F 500000156257	
		Type TB		Number 094705000XX		Rev. F		Page 1/2	

Cont. no.	Part no.	Type of cable	Dim. d [mm]	Dim. a [m]
52	09470500052	RJI Ethernet Trailing Cable, 4xAWG 22/7, PUR, Cat. 5+, green	Ø6.5	6
51	09470500051			5
50	09470500050			4
49	09470500049			3
48	09470500048			2
47	09470500047			1.5
46	09470500046			1
45	09470500045			0.5
44	09470500044			100
43	09470500043			90
42	09470500042	RJI Ethernet Stranded Cable, 4xAWG 22/7, PVC, Cat. 5+, green	Ø6.5	80
41	09470500041			70
40	09470500040			60
39	09470500039			50
38	09470500038			40
37	09470500037			30
36	09470500036			20
35	09470500035			15
34	09470500034			10
33	09470500033			9
32	09470500032	RJI Ethernet Standard Cable, 4xAWG 22/1, PVC, Cat. 5+, green	Ø6.5	8
31	09470500031			7
30	09470500030			6
29	09470500029			5
28	09470500028			4
27	09470500027			3
26	09470500026			2
25	09470500025			1.5
24	09470500024			1
23	09470500023			0.5
22	09470500022	RJI Ethernet Trailing Cable, 4xAWG 22/7, PUR, Cat. 5+, green	Ø6.5	100
21	09470500021			90
20	09470500020			80
19	09470500019			70
18	09470500018			60
17	09470500017			50
16	09470500016			40
15	09470500015			30
14	09470500014			20
13	09470500013			15
12	09470500012	RJI Ethernet Standard Cable, 4xAWG 22/1, PVC, Cat. 5+, green	Ø6.5	10
11	09470500011			9
10	09470500010			8
9	09470500009			7
8	09470500008			6
7	09470500007			5
6	09470500006			4
5	09470500005			3
4	09470500004			2
3	09470500003			1.5
2	09470500002	RJI Ethernet Standard Cable, 4xAWG 22/1, PVC, Cat. 5+, green	Ø6.5	1
1	09470500001			0.5

Cont. no.	Part no.	Type of cable	Dim. d [mm]	Dim. a [m]
89	09470500089	RJI Ha-VIS EtherRail Flexible Data Cable, 4xAWG 22/7, Cat. 5/5e, black	Ø6.6	1.5
88	09470500088	RJI Ethernet Stranded Cable, 4xAWG 22/7, PVC outdoor, Cat. 5+, black	Ø6.5	100
87	09470500087			90
86	09470500086			80
85	09470500085			70
84	09470500084			60
83	09470500083			50
82	09470500082			40
81	09470500081			30
80	09470500080			20
79	09470500079			15
78	09470500078	RJI Ethernet Trailing Cable, 4xAWG 22/7, PUR, Cat. 5+, green	Ø6.5	10
77	09470500077			9
76	09470500076			8
75	09470500075			7
74	09470500074			6
73	09470500073			5
72	09470500072			4
71	09470500071			3
70	09470500070			2
69	09470500069			1.5
68	09470500068	RJI Ethernet Standard Cable, 4xAWG 22/1, PVC, Cat. 5+, green	Ø6.5	1
67	09470500067			0.5
66	09470500066			100
65	09470500065			90
64	09470500064			80
63	09470500063			70
62	09470500062			60
61	09470500061			50
60	09470500060			40
59	09470500059			30
58	09470500058	RJI Ethernet Standard Cable, 4xAWG 22/1, PVC, Cat. 5+, green	Ø6.5	20
57	09470500057			15
56	09470500056			10
55	09470500055			9
54	09470500054			8
53	09470500053			7



**HARTING**  
Customised Solutions  
D-32339 Espelkamp

All rights reserved  
Department HCS - RO

Created by  
BANCIUD  
Banciu

Inspected by  
COSTEA  
Costea

Standardisation  
MUNTEANV  
Muntean

Date  
2019-08-08

State  
Final Release

Title  
**RJ Industrial Cable Assembly**

Doc-Key / ECM-Nr.  
100081066/UGD/014/F  
500000156257

Type **TB**

Number **094705000XX**

Rev. **F**

Page **2/2**