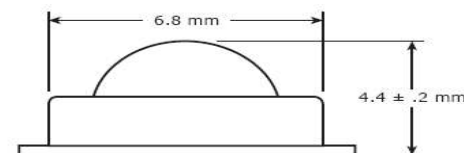
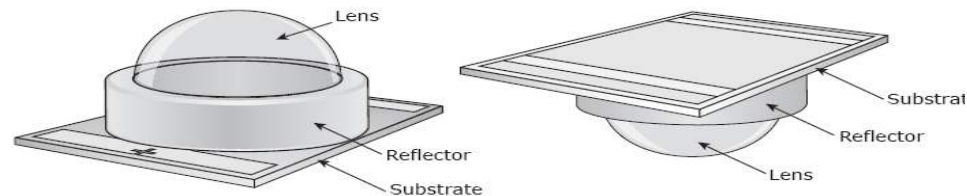
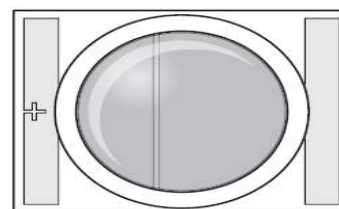


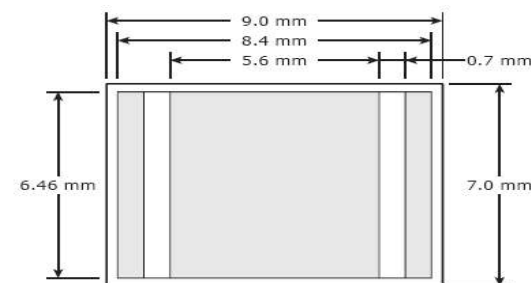
STAR MCPCB
White mask Gold letter



Side View



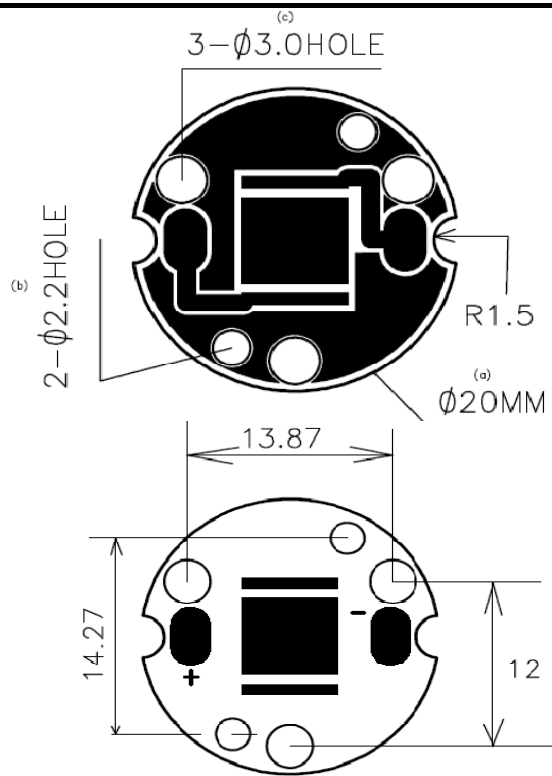
Top View



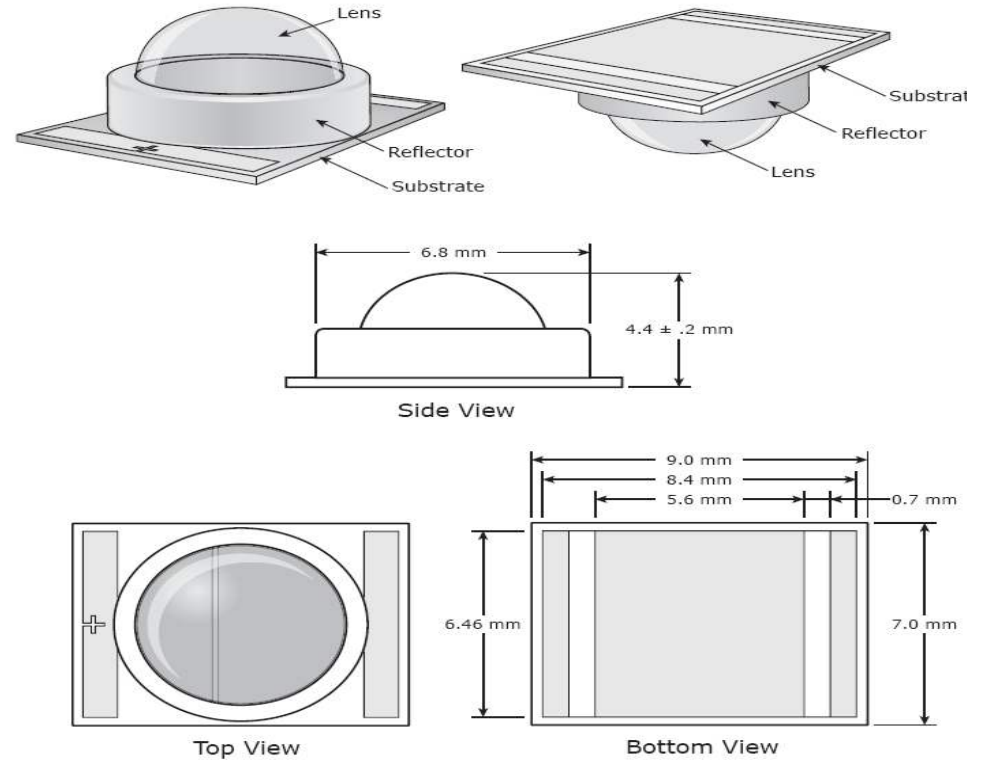
Bottom View

XRC / XRE XLamp

PART NO.	BRD	BRD Drawing NO.	BRD Thickness	LED Color	LED Color bins	LED Flux Code	LED Lumen (min.)	LED VF (typ.) @350mA	LED Viewing Angle
XRCRED-L1-0000-00M01-STAR	star	0194013A	2mm	RED	R2, R3	M	39.8lm	2.2V	90deg
XRCAMB-L1-0000-00M01-STAR	star	0194013A	2mm	AMBER	A2, A3	M	39.8lm	2.2V	90deg
XREGRN-L1-0000-00P01-STAR	star	0194013A	2mm	GREEN	G2, G3, G4	P	67.2lm	3.3V	100deg
XREBLU-L1-0000-00J01-STAR	star	0194013A	2mm	BLUE	B3, B4, B5, B6	J	23.5lm	3.3V	100deg
XREBLU-L1-0000-00K01-STAR	star	0194013A	2mm	BLUE	B3, B4, B5, B6	K	30.6lm	3.3V	100deg
XREWHT-L1-0000-00902-STAR	star	0194013A	2mm	Cool White	WC, WD, WG, WF	P4	80.6lm	3.3V	90deg
XREWHT-L1-0000-00A02-STAR	star	0194013A	2mm	Cool White	WC, WD, WG, WF	Q2	87.4lm	3.3V	90deg
XREWHT-L1-0000-00B02-STAR	star	0194013A	2mm	Cool White	WC, WD, WG, WF	Q3	93.9lm	3.3V	90deg
XREWHT-L1-0000-00C02-STAR	star	0194013A	2mm	Cool White	WC, WD, WG, WF	Q4	100lm	3.3V	90deg
XREWHT-L1-0000-00D02-STAR	star	0194013A	2mm	Cool White	WC, WD, WG, WF	Q5	107lm	3.3V	90deg
XREWHT-L1-0000-00E02-STAR	star	0194013A	2mm	Cool White	WC, WD, WG, WF	R2	114lm	3.3V	90deg
XREWHT-L1-0000-009E4-STAR	star	0194013A	2mm	Neutral White	4A, 4B, 4C, 4D	P4	80.6lm	3.3V	90deg
XREWHT-L1-0000-00AE4-STAR	star	0194013A	2mm	Neutral White	4A, 4B, 4C, 4D	Q2	87.4lm	3.3V	90deg
XREWHT-L1-0000-008E7-STAR	star	0194013A	2mm	Warm White	7A, 7B, 7C, 7D	P3	73.9lm	3.3V	90deg
XREWHT-L1-0000-009E7-STAR	star	0194013A	2mm	Warm White	7A, 7B, 7C, 7D	P4	80.6lm	3.3V	90deg

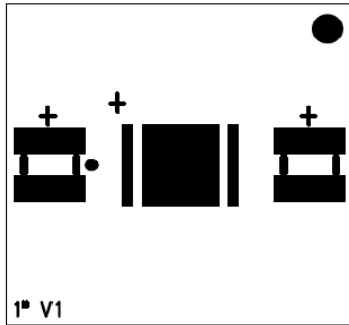
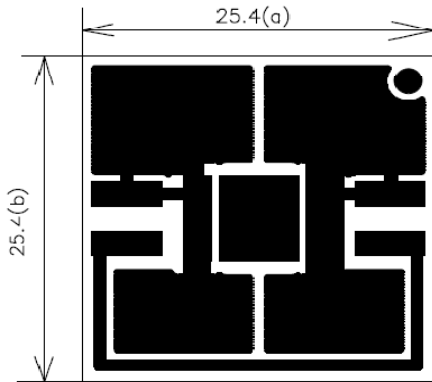


LBB 3 MCPCB
White mask Gold letter

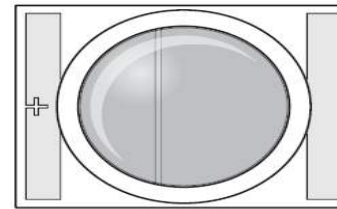
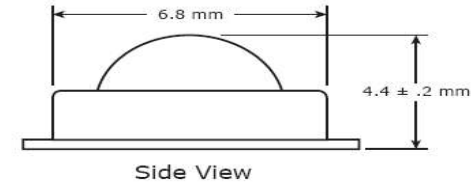
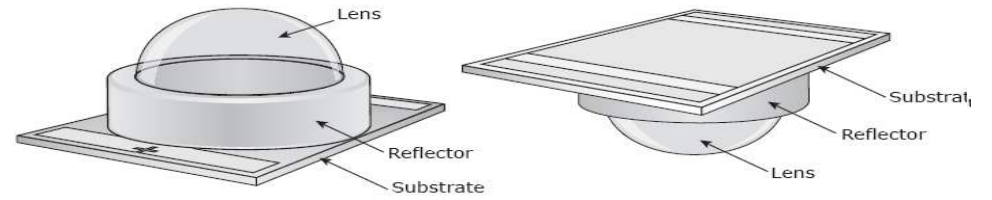


XRC / XRE XLamp

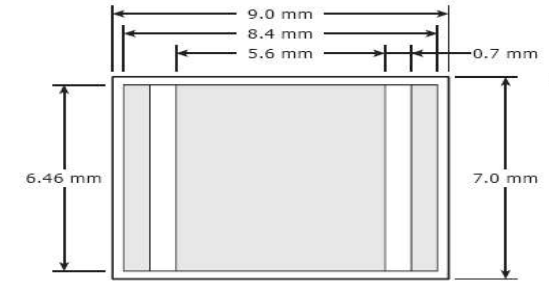
PART NO.	BRD	BRD Drawing NO.	BRD Thickness	LED Color	LED Color bins	LED Flux Code	LED Lumen (min.)	LED VF (typ.) @350mA	LED Viewing Angle
XRCRED-L1-0000-00M01-LBB3	LBB3	0194012A	2mm	RED	R2, R3	M	39.8lm	2.2V	90deg
XRCAMB-L1-0000-00M01-LBB3	LBB3	0194012A	2mm	AMBER	A2, A3	M	39.8lm	2.2V	90deg
XREGRN-L1-0000-00P01-LBB3	LBB3	0194012A	2mm	GREEN	G2, G3, G4	P	67.2lm	3.3V	100deg
XREBLU-L1-0000-00J01-LBB3	LBB3	0194012A	2mm	BLUE	B3, B4, B5, B6	J	23.5lm	3.3V	100deg
XREBLU-L1-0000-00K01-LBB3	LBB3	0194012A	2mm	BLUE	B3, B4, B5, B6	K	30.6lm	3.3V	100deg
XREWHT-L1-0000-00902-LBB3	LBB3	0194012A	2mm	Cool White	WC, WD, WG, WF	P4	80.6lm	3.3V	90deg
XREWHT-L1-0000-00A02-LBB3	LBB3	0194012A	2mm	Cool White	WC, WD, WG, WF	Q2	87.4lm	3.3V	90deg
XREWHT-L1-0000-00B02-LBB3	LBB3	0194012A	2mm	Cool White	WC, WD, WG, WF	Q3	93.9lm	3.3V	90deg
XREWHT-L1-0000-00C02-LBB3	LBB3	0194012A	2mm	Cool White	WC, WD, WG, WF	Q4	100lm	3.3V	90deg
XREWHT-L1-0000-00D02-LBB3	LBB3	0194012A	2mm	Cool White	WC, WD, WG, WF	Q5	107lm	3.3V	90deg
XREWHT-L1-0000-00E02-LBB3	LBB3	0194012A	2mm	Cool White	WC, WD, WG, WF	R2	114lm	3.3V	90deg
XREWHT-L1-0000-009E4-LBB3	LBB3	0194012A	2mm	Neutral White	4A, 4B, 4C, 4D	P4	80.6lm	3.3V	90deg
XREWHT-L1-0000-00AE4-LBB3	LBB3	0194012A	2mm	Neutral White	4A, 4B, 4C, 4D	Q2	87.4lm	3.3V	90deg
XREWHT-L1-0000-008E7-LBB3	LBB3	0194012A	2mm	Warm White	7A, 7B, 7C, 7D	P3	73.9lm	3.3V	90deg
XREWHT-L1-0000-009E7-LBB3	LBB3	0194012A	2mm	Warm White	7A, 7B, 7C, 7D	P4	80.6lm	3.3V	90deg



1" SQUARE MCPCB
White mask Black letter



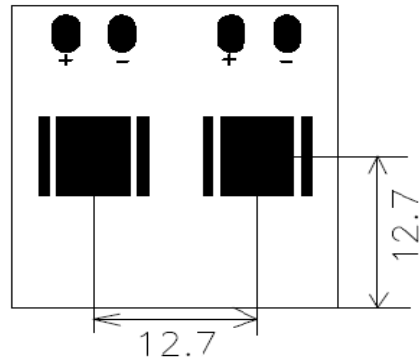
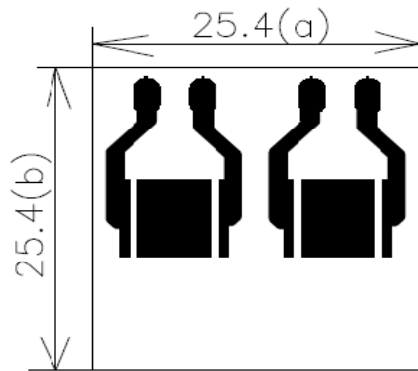
Top View



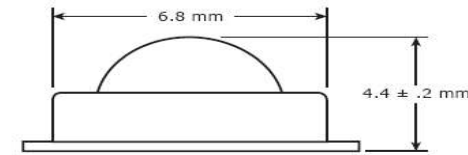
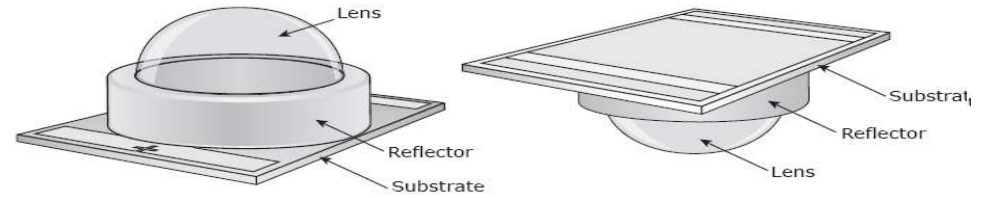
Bottom View

XRC / XRE XLamp

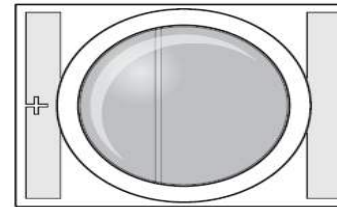
PART NO.	BRD	BRD Drawing NO.	BRD Thickness	LED Color	LED Color bins	LED Flux Code	LED Lumen (min.)	LED VF (typ.) @350mA	LED Viewing Angle
XRCRED-L1-0000-00M01-SQU-1LED	1" Square	0194105A	1.54mm	RED	R2, R3	M	39.8lm	2.2V	90deg
XRCAMB-L1-0000-00M01-SQU-1LED	1" Square	0194105A	1.54mm	AMBER	A2, A3	M	39.8lm	2.2V	90deg
XREGRN-L1-0000-00P01-SQU-1LED	1" Square	0194105A	1.54mm	GREEN	G2, G3, G4	P	67.2lm	3.3V	100deg
XREBLU-L1-0000-00J01-SQU-1LED	1" Square	0194105A	1.54mm	BLUE	B3, B4, B5, B6	J	23.5lm	3.3V	100deg
XREBLU-L1-0000-00K01-SQU-1LED	1" Square	0194105A	1.54mm	BLUE	B3, B4, B5, B6	K	30.6lm	3.3V	100deg
XREWHT-L1-0000-00902-SQU-1LED	1" Square	0194105A	1.54mm	Cool White	WC, WD, WG, WF	P4	80.6lm	3.3V	90deg
XREWHT-L1-0000-00A02-SQU-1LED	1" Square	0194105A	1.54mm	Cool White	WC, WD, WG, WF	Q2	87.4lm	3.3V	90deg
XREWHT-L1-0000-00B02-SQU-1LED	1" Square	0194105A	1.54mm	Cool White	WC, WD, WG, WF	Q3	93.9lm	3.3V	90deg
XREWHT-L1-0000-00C02-SQU-1LED	1" Square	0194105A	1.54mm	Cool White	WC, WD, WG, WF	Q4	100lm	3.3V	90deg
XREWHT-L1-0000-00D02-SQU-1LED	1" Square	0194105A	1.54mm	Cool White	WC, WD, WG, WF	Q5	107lm	3.3V	90deg
XREWHT-L1-0000-00E02-SQU-1LED	1" Square	0194105A	1.54mm	Cool White	WC, WD, WG, WF	R2	114lm	3.3V	90deg
XREWHT-L1-0000-009E4-SQU-1LED	1" Square	0194105A	1.54mm	Neutral White	4A, 4B, 4C, 4D	P4	80.6lm	3.3V	90deg
XREWHT-L1-0000-00AE4-SQU-1LED	1" Square	0194105A	1.54mm	Neutral White	4A, 4B, 4C, 4D	Q2	87.4lm	3.3V	90deg
XREWHT-L1-0000-008E7-SQU-1LED	1" Square	0194105A	1.54mm	Warm White	7A, 7B, 7C, 7D	P3	73.9lm	3.3V	90deg
XREWHT-L1-0000-009E7-SQU-1LED	1" Square	0194105A	1.54mm	Warm White	7A, 7B, 7C, 7D	P4	80.6lm	3.3V	90deg



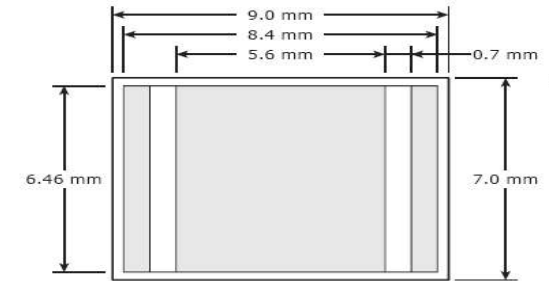
1" SQUARE MCPCB
White mask Gold letter



Side View



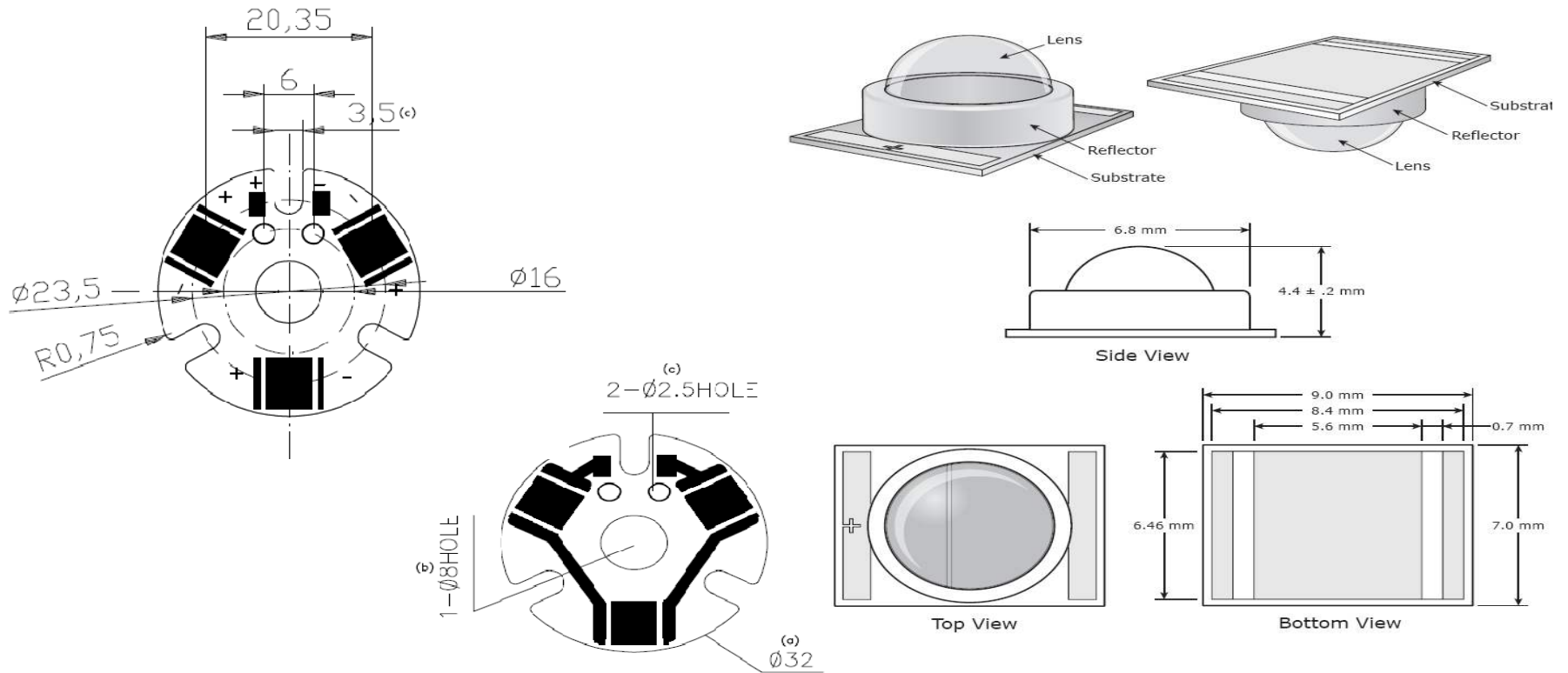
Top View



Bottom View

XRC / XRE XLamp

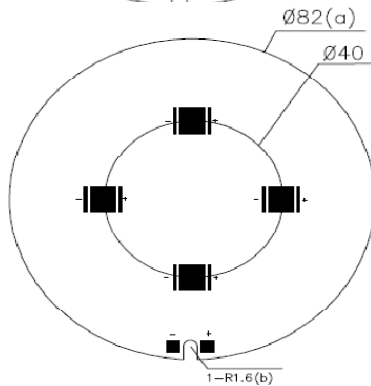
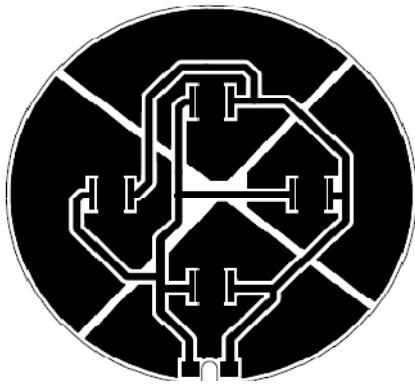
PART NO.	BRD	BRD Drawing NO.	BRD Thickness	LED Color	LED Color bins	each LED Flux Code	each LED Lumen (min.)	each LED VF (typ.) @350mA	each LED Viewing Angle
XRCRED-L1-0000-00M01-SQU-2LED	1" Square	0194179A	1.54mm	RED	R2, R3	M	39.8lm	2.2V	90deg
XRCAMB-L1-0000-00M01-SQU-2LED	1" Square	0194179A	1.54mm	AMBER	A2, A3	M	39.8lm	2.2V	90deg
XREGRN-L1-0000-00P01-SQU-2LED	1" Square	0194179A	1.54mm	GREEN	G2, G3, G4	P	67.2lm	3.3V	100deg
XREBLU-L1-0000-00J01-SQU-2LED	1" Square	0194179A	1.54mm	BLUE	B3, B4, B5, B6	J	23.5lm	3.3V	100deg
XREBLU-L1-0000-00K01-SQU-2LED	1" Square	0194179A	1.54mm	BLUE	B3, B4, B5, B6	K	30.6lm	3.3V	100deg
XREWHT-L1-0000-00902-SQU-2LED	1" Square	0194179A	1.54mm	Cool White	WC, WD, WG, WF	P4	80.6lm	3.3V	90deg
XREWHT-L1-0000-00A02-SQU-2LED	1" Square	0194179A	1.54mm	Cool White	WC, WD, WG, WF	Q2	87.4lm	3.3V	90deg
XREWHT-L1-0000-00B02-SQU-2LED	1" Square	0194179A	1.54mm	Cool White	WC, WD, WG, WF	Q3	93.9lm	3.3V	90deg
XREWHT-L1-0000-00C02-SQU-2LED	1" Square	0194179A	1.54mm	Cool White	WC, WD, WG, WF	Q4	100lm	3.3V	90deg
XREWHT-L1-0000-00D02-SQU-2LED	1" Square	0194179A	1.54mm	Cool White	WC, WD, WG, WF	Q5	107lm	3.3V	90deg
XREWHT-L1-0000-00E02-SQU-2LED	1" Square	0194179A	1.54mm	Cool White	WC, WD, WG, WF	R2	114lm	3.3V	90deg
XREWHT-L1-0000-009E4-SQU-2LED	1" Square	0194179A	1.54mm	Neutral White	4A, 4B, 4C, 4D	P4	80.6lm	3.3V	90deg
XREWHT-L1-0000-00AE4-SQU-2LED	1" Square	0194179A	1.54mm	Neutral White	4A, 4B, 4C, 4D	Q2	87.4lm	3.3V	90deg
XREWHT-L1-0000-008E7-SQU-2LED	1" Square	0194179A	1.54mm	Warm White	7A, 7B, 7C, 7D	P3	73.9lm	3.3V	90deg
XREWHT-L1-0000-009E7-SQU-2LED	1" Square	0194179A	1.54mm	Warm White	7A, 7B, 7C, 7D	P4	80.6lm	3.3V	90deg



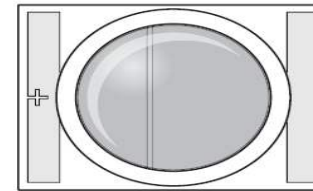
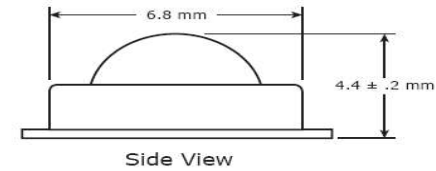
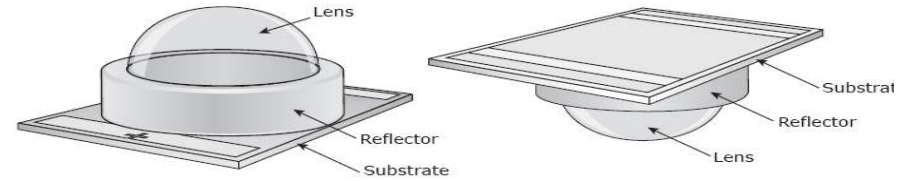
Round 3LED MCPCB
White mask Gold letter

XRC / XRE XLamp

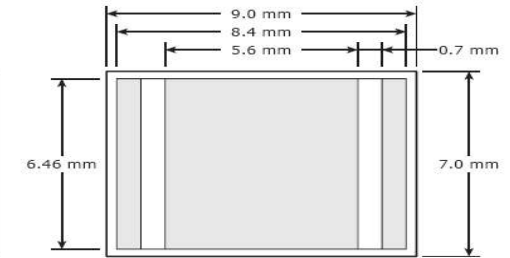
PART NO.	BRD	BRD Drawing NO.	BRD Thickness	LED Color	LED Color bins	each LED Flux Code	each LED Lumen (min.)	each LED VF (typ.) @350mA	each LED Viewing Angle
XRCRED-L1-0000-00M01-RND-3LED	MR16 3LED	0194104A	2mm	RED	R2, R3	M	39.8lm	2.2V	90deg
XRCAMB-L1-0000-00M01-RND-3LED	MR16 3LED	0194104A	2mm	AMBER	A2, A3	M	39.8lm	2.2V	90deg
XREGRN-L1-0000-00P01-RND-3LED	MR16 3LED	0194104A	2mm	GREEN	G2, G3, G4	P	67.2lm	3.3V	100deg
XREBLU-L1-0000-00J01-RND-3LED	MR16 3LED	0194104A	2mm	BLUE	B3, B4, B5, B6	J	23.5lm	3.3V	100deg
XREBLU-L1-0000-00K01-RND-3LED	MR16 3LED	0194104A	2mm	BLUE	B3, B4, B5, B6	K	30.6lm	3.3V	100deg
XREWHT-L1-0000-00902-RND-3LED	MR16 3LED	0194104A	2mm	Cool White	WC, WD, WG, WF	P4	80.6lm	3.3V	90deg
XREWHT-L1-0000-00A02-RND-3LED	MR16 3LED	0194104A	2mm	Cool White	WC, WD, WG, WF	Q2	87.4lm	3.3V	90deg
XREWHT-L1-0000-00B02-RND-3LED	MR16 3LED	0194104A	2mm	Cool White	WC, WD, WG, WF	Q3	93.9lm	3.3V	90deg
XREWHT-L1-0000-00C02-RND-3LED	MR16 3LED	0194104A	2mm	Cool White	WC, WD, WG, WF	Q4	100lm	3.3V	90deg
XREWHT-L1-0000-00D02-RND-3LED	MR16 3LED	0194104A	2mm	Cool White	WC, WD, WG, WF	Q5	107lm	3.3V	90deg
XREWHT-L1-0000-00E02-RND-3LED	MR16 3LED	0194104A	2mm	Cool White	WC, WD, WG, WF	R2	114lm	3.3V	90deg
XREWHT-L1-0000-009E4-RND-3LED	MR16 3LED	0194104A	2mm	Neutral White	4A, 4B, 4C, 4D	P4	80.6lm	3.3V	90deg
XREWHT-L1-0000-00AE4-RND-3LED	MR16 3LED	0194104A	2mm	Neutral White	4A, 4B, 4C, 4D	Q2	87.4lm	3.3V	90deg
XREWHT-L1-0000-008E7-RND-3LED	MR16 3LED	0194104A	2mm	Warm White	7A, 7B, 7C, 7D	P3	73.9lm	3.3V	90deg
XREWHT-L1-0000-009E7-RND-3LED	MR16 3LED	0194104A	2mm	Warm White	7A, 7B, 7C, 7D	P4	80.6lm	3.3V	90deg



Round 4LED MCPCB
White mask Gold letter



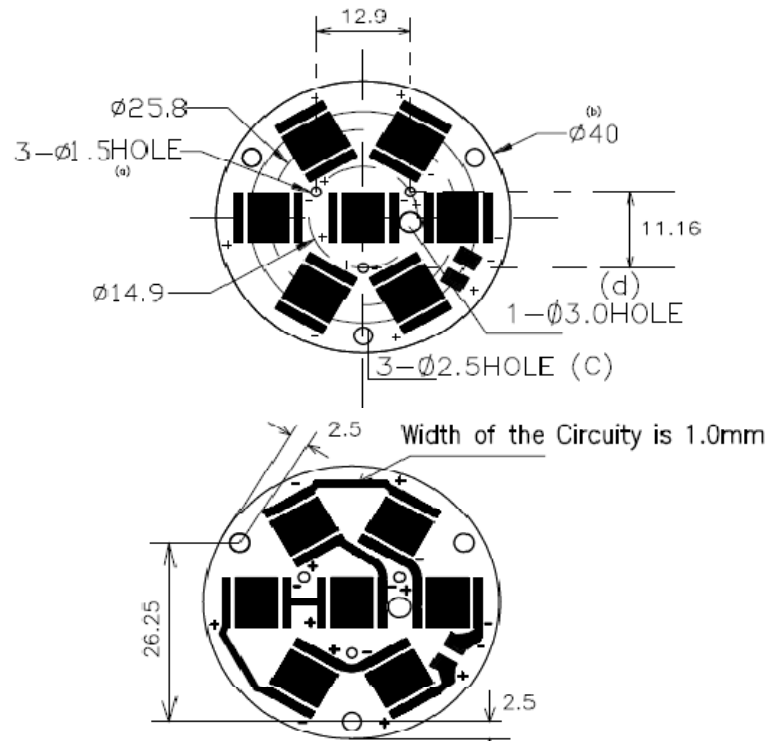
Top View



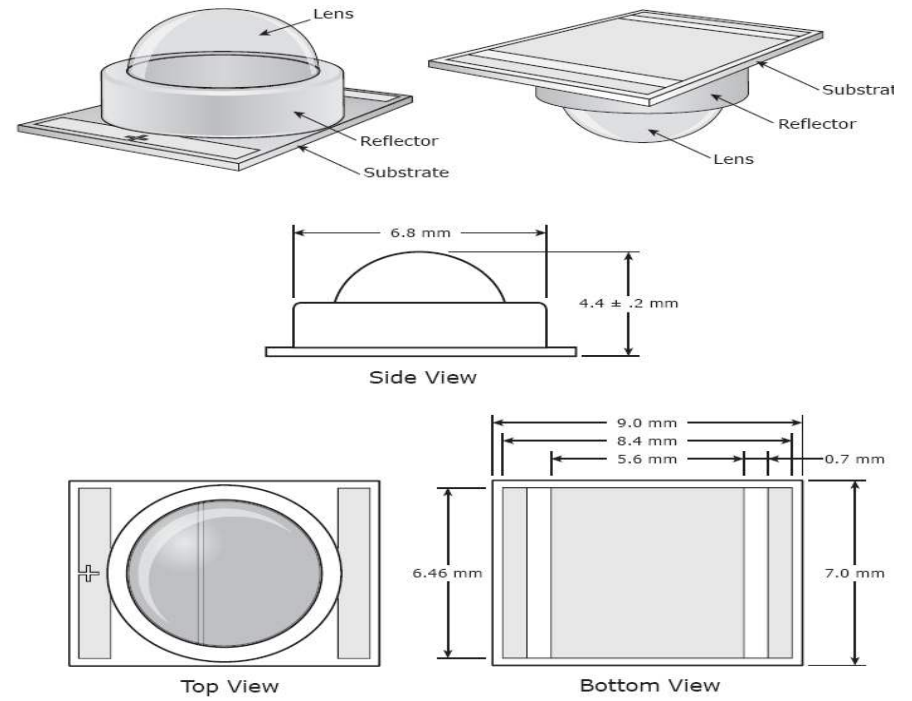
Bottom View

XRC / XRE XLamp

PART NO.	BRD	BRD Drawing NO.	BRD Thickness	LED Color	LED Color bins	each LED Flux Code	each LED Lumen (min.)	each LED VF (typ.) @350mA	each LED Viewing Angle
XRCRED-L1-0000-00M01-RND-4LED	Round 4LED	0194138B	2mm	RED	R2, R3	M	39.8lm	2.2V	90deg
XRCAMB-L1-0000-00M01-RND-4LED	Round 4LED	0194138B	2mm	AMBER	A2, A3	M	39.8lm	2.2V	90deg
XREGRN-L1-0000-00P01-RND-4LED	Round 4LED	0194138B	2mm	GREEN	G2, G3, G4	P	67.2lm	3.3V	100deg
XREBLU-L1-0000-00J01-RND-4LED	Round 4LED	0194138B	2mm	BLUE	B3, B4, B5, B6	J	23.5lm	3.3V	100deg
XREBLU-L1-0000-00K01-RND-4LED	Round 4LED	0194138B	2mm	BLUE	B3, B4, B5, B6	K	30.6lm	3.3V	100deg
XREWHT-L1-0000-00902-RND-4LED	Round 4LED	0194138B	2mm	Cool White	WC, WD, WG, WF	P4	80.6lm	3.3V	90deg
XREWHT-L1-0000-00A02-RND-4LED	Round 4LED	0194138B	2mm	Cool White	WC, WD, WG, WF	Q2	87.4lm	3.3V	90deg
XREWHT-L1-0000-00B02-RND-4LED	Round 4LED	0194138B	2mm	Cool White	WC, WD, WG, WF	Q3	93.9lm	3.3V	90deg
XREWHT-L1-0000-00C02-RND-4LED	Round 4LED	0194138B	2mm	Cool White	WC, WD, WG, WF	Q4	100lm	3.3V	90deg
XREWHT-L1-0000-00D02-RND-4LED	Round 4LED	0194138B	2mm	Cool White	WC, WD, WG, WF	Q5	107lm	3.3V	90deg
XREWHT-L1-0000-00E02-RND-4LED	Round 4LED	0194138B	2mm	Cool White	WC, WD, WG, WF	R2	114lm	3.3V	90deg
XREWHT-L1-0000-009E4-RND-4LED	Round 4LED	0194138B	2mm	Neutral White	4A, 4B, 4C, 4D	P4	80.6lm	3.3V	90deg
XREWHT-L1-0000-00AE4-RND-4LED	Round 4LED	0194138B	2mm	Neutral White	4A, 4B, 4C, 4D	Q2	87.4lm	3.3V	90deg
XREWHT-L1-0000-008E7-RND-4LED	Round 4LED	0194138B	2mm	Warm White	7A, 7B, 7C, 7D	P3	73.9lm	3.3V	90deg
XREWHT-L1-0000-009E7-RND-4LED	Round 4LED	0194138B	2mm	Warm White	7A, 7B, 7C, 7D	P4	80.6lm	3.3V	90deg

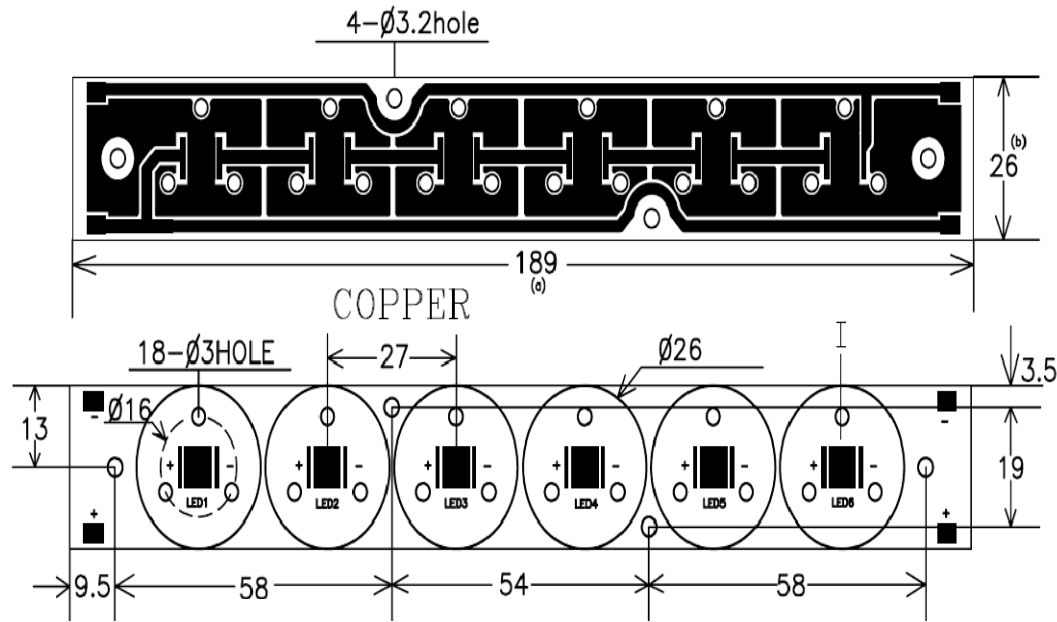


Round 7LED MCPCB
White mask Gold letter

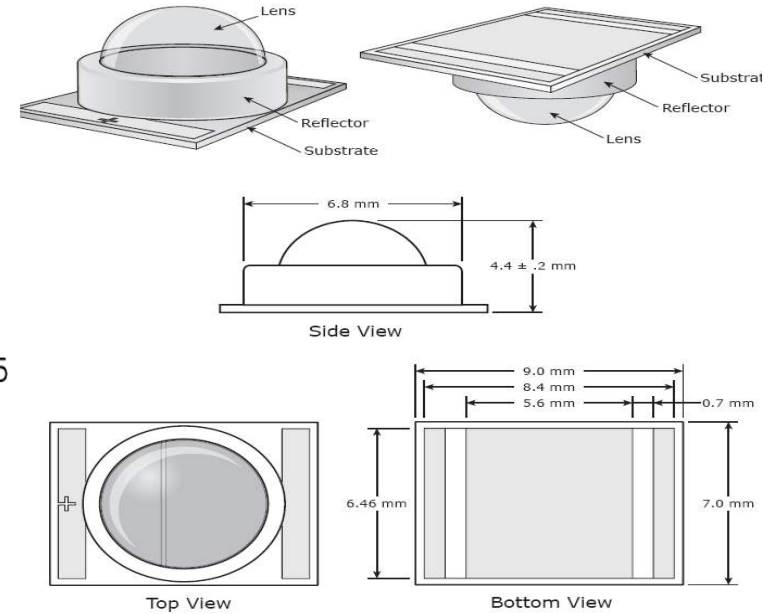


XRC / XRE XLamp

PART NO.	BRD	BRD Drawing NO.	BRD Thickness	LED Color	LED Color bins	each LED Flux Code	each LED Lumen (min.)	each LED VF (typ.) @350mA	each LED Viewing Angle
XRCRED-L1-0000-00M01-RND-7LED	Round 7LED	0194097B	2mm	RED	R2, R3	M	39.8lm	2.2V	90deg
XRCAMB-L1-0000-00M01-RND-7LED	Round 7LED	0194097B	2mm	AMBER	A2, A3	M	39.8lm	2.2V	90deg
XREGRN-L1-0000-00P01-RND-7LED	Round 7LED	0194097B	2mm	GREEN	G2, G3, G4	P	67.2lm	3.3V	100deg
XREBLU-L1-0000-00J01-RND-7LED	Round 7LED	0194097B	2mm	BLUE	B3, B4, B5, B6	J	23.5lm	3.3V	100deg
XREBLU-L1-0000-00K01-RND-7LED	Round 7LED	0194097B	2mm	BLUE	B3, B4, B5, B6	K	30.6lm	3.3V	100deg
XREWHT-L1-0000-00902-RND-7LED	Round 7LED	0194097B	2mm	Cool White	WC, WD, WG, WF	P4	80.6lm	3.3V	90deg
XREWHT-L1-0000-00A02-RND-7LED	Round 7LED	0194097B	2mm	Cool White	WC, WD, WG, WF	Q2	87.4lm	3.3V	90deg
XREWHT-L1-0000-00B02-RND-7LED	Round 7LED	0194097B	2mm	Cool White	WC, WD, WG, WF	Q3	93.9lm	3.3V	90deg
XREWHT-L1-0000-00C02-RND-7LED	Round 7LED	0194097B	2mm	Cool White	WC, WD, WG, WF	Q4	100lm	3.3V	90deg
XREWHT-L1-0000-00D02-RND-7LED	Round 7LED	0194097B	2mm	Cool White	WC, WD, WG, WF	Q5	107lm	3.3V	90deg
XREWHT-L1-0000-00E02-RND-7LED	Round 7LED	0194097B	2mm	Cool White	WC, WD, WG, WF	R2	114lm	3.3V	90deg
XREWHT-L1-0000-009E4-RND-7LED	Round 7LED	0194097B	2mm	Neutral White	4A, 4B, 4C, 4D	P4	80.6lm	3.3V	90deg
XREWHT-L1-0000-00AE4-RND-7LED	Round 7LED	0194097B	2mm	Neutral White	4A, 4B, 4C, 4D	Q2	87.4lm	3.3V	90deg
XREWHT-L1-0000-008E7-RND-7LED	Round 7LED	0194097B	2mm	Warm White	7A, 7B, 7C, 7D	P3	73.9lm	3.3V	90deg
XREWHT-L1-0000-009E7-RND-7LED	Round 7LED	0194097B	2mm	Warm White	7A, 7B, 7C, 7D	P4	80.6lm	3.3V	90deg



Linear 6LED MCPCB
White mask Black letter



XRC / XRE XLamp

PART NO.	BRD	BRD Drawing NO.	BRD Thickness	LED Color	LED Color bins	each LED Flux Code	each LED Lumen (min.)	each LED VF (typ.) @350mA	each LED Viewing Angle
XRCRED-L1-0000-00M01-LIN-6LED	Linear 6LED	0194281A	1.54mm	RED	R2, R3	M	39.8lm	2.2V	90deg
XRCAMB-L1-0000-00M01-LIN-6LED	Linear 6LED	0194281A	1.54mm	AMBER	A2, A3	M	39.8lm	2.2V	90deg
XREGRN-L1-0000-00P01-LIN-6LED	Linear 6LED	0194281A	1.54mm	GREEN	G2, G3, G4	P	67.2lm	3.3V	100deg
XREBLU-L1-0000-00J01-LIN-6LED	Linear 6LED	0194281A	1.54mm	BLUE	B3, B4, B5, B6	J	23.5lm	3.3V	100deg
XREBLU-L1-0000-00K01-LIN-6LED	Linear 6LED	0194281A	1.54mm	BLUE	B3, B4, B5, B6	K	30.6lm	3.3V	100deg
XREWHT-L1-0000-00902-LIN-6LED	Linear 6LED	0194281A	1.54mm	Cool White	WC, WD, WG, WF	P4	80.6lm	3.3V	90deg
XREWHT-L1-0000-00A02-LIN-6LED	Linear 6LED	0194281A	1.54mm	Cool White	WC, WD, WG, WF	Q2	87.4lm	3.3V	90deg
XREWHT-L1-0000-00B02-LIN-6LED	Linear 6LED	0194281A	1.54mm	Cool White	WC, WD, WG, WF	Q3	93.9lm	3.3V	90deg
XREWHT-L1-0000-00C02-LIN-6LED	Linear 6LED	0194281A	1.54mm	Cool White	WC, WD, WG, WF	Q4	100lm	3.3V	90deg
XREWHT-L1-0000-00D02-LIN-6LED	Linear 6LED	0194281A	1.54mm	Cool White	WC, WD, WG, WF	Q5	107lm	3.3V	90deg
XREWHT-L1-0000-00E02-LIN-6LED	Linear 6LED	0194281A	1.54mm	Cool White	WC, WD, WG, WF	R2	114lm	3.3V	90deg
XREWHT-L1-0000-009E4-LIN-6LED	Linear 6LED	0194281A	1.54mm	Neutral White	4A, 4B, 4C, 4D	P4	80.6lm	3.3V	90deg
XREWHT-L1-0000-00AE4-LIN-6LED	Linear 6LED	0194281A	1.54mm	Neutral White	4A, 4B, 4C, 4D	Q2	87.4lm	3.3V	90deg
XREWHT-L1-0000-008E7-LIN-6LED	Linear 6LED	0194281A	1.54mm	Warm White	7A, 7B, 7C, 7D	P3	73.9lm	3.3V	90deg
XREWHT-L1-0000-009E7-LIN-6LED	Linear 6LED	0194281A	1.54mm	Warm White	7A, 7B, 7C, 7D	P4	80.6lm	3.3V	90deg