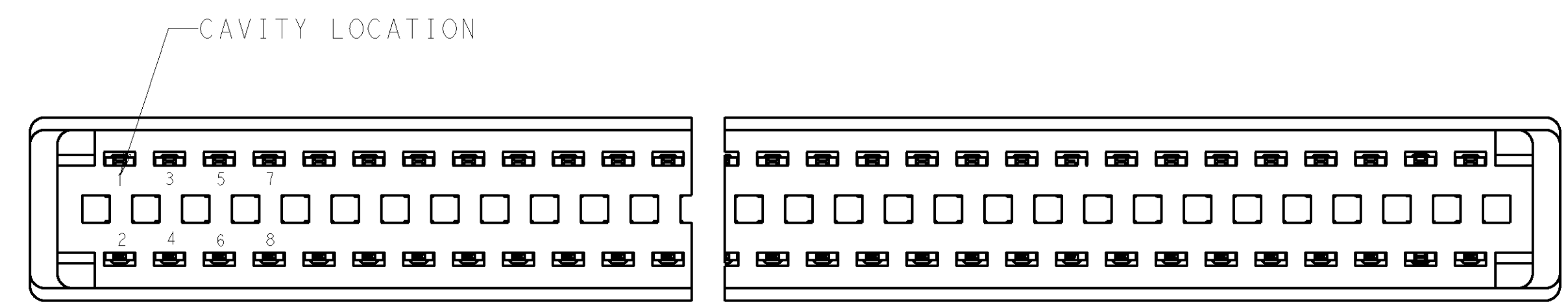
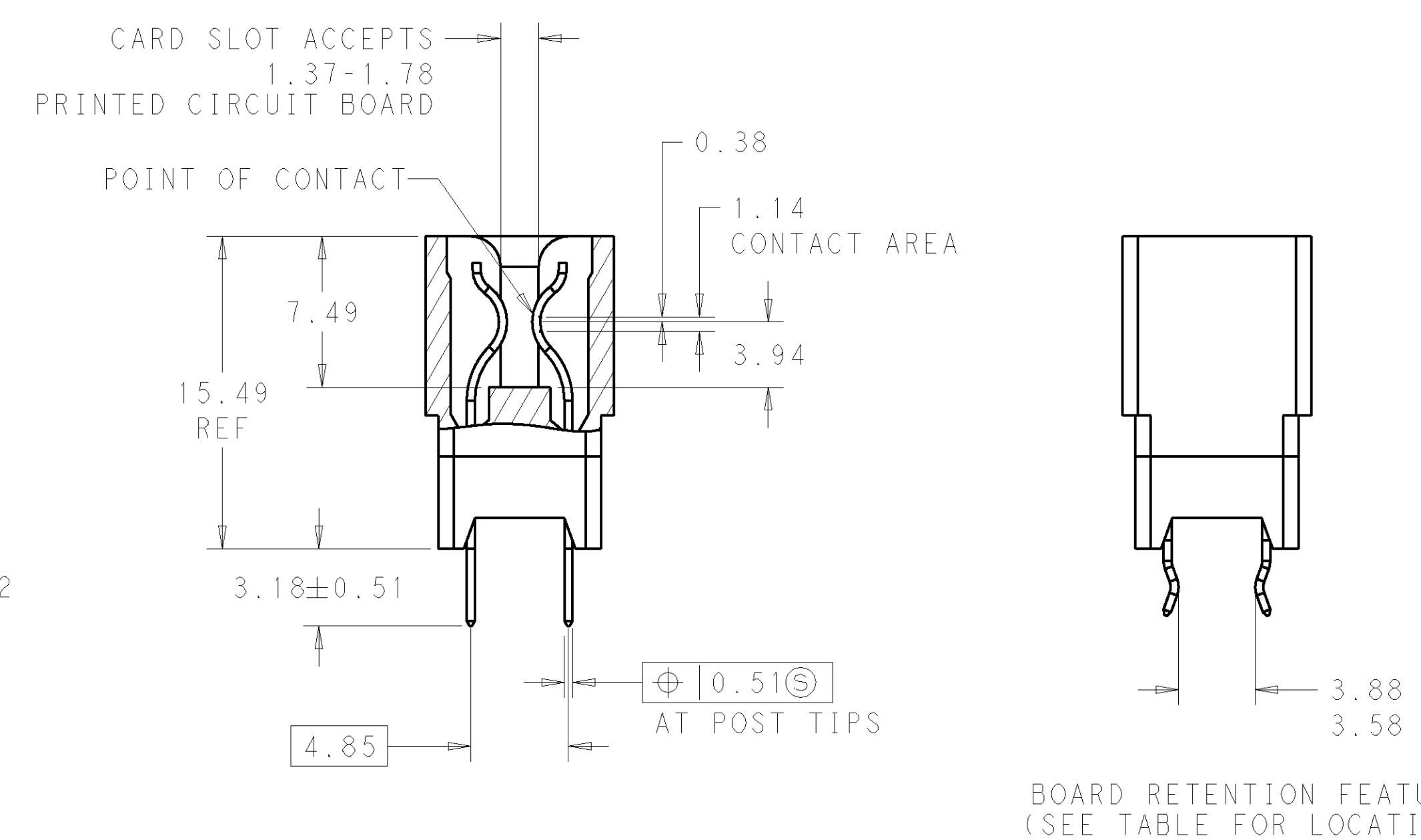
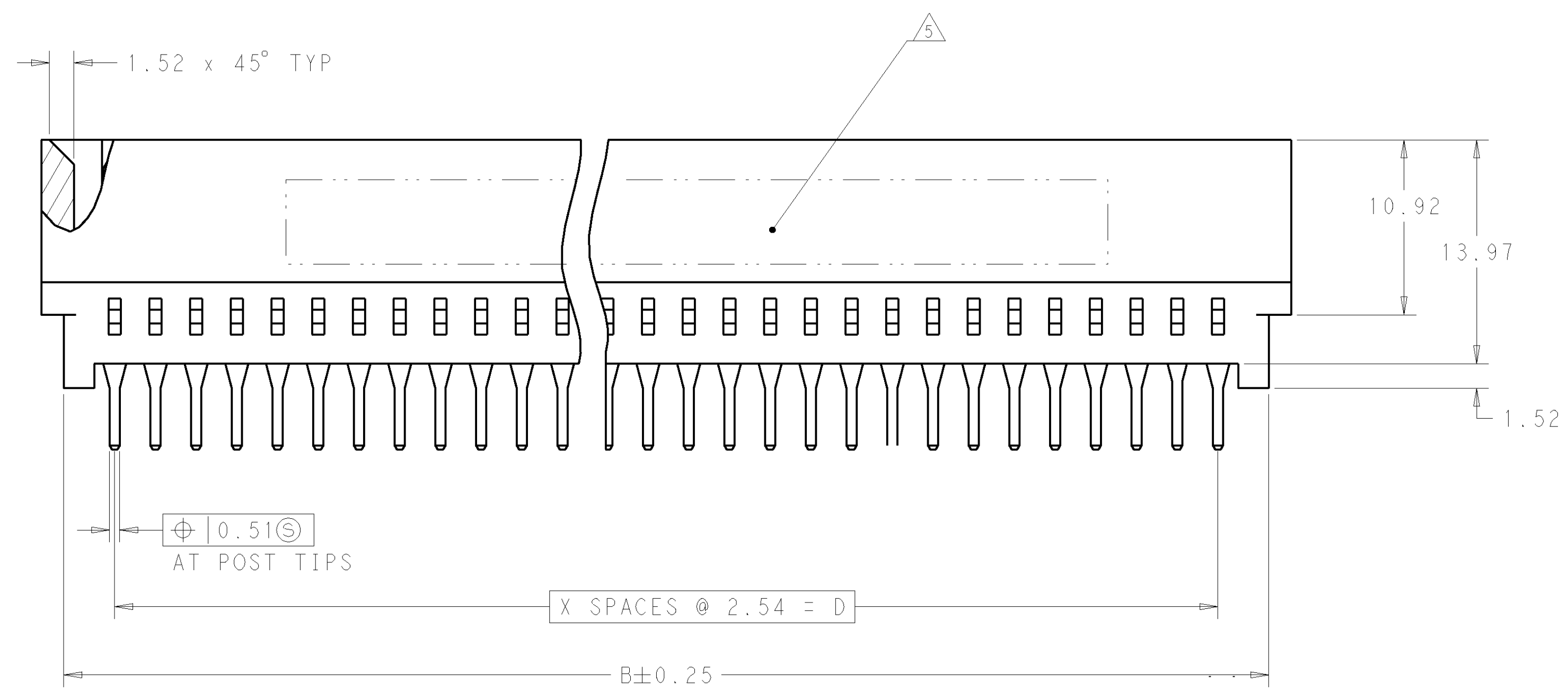
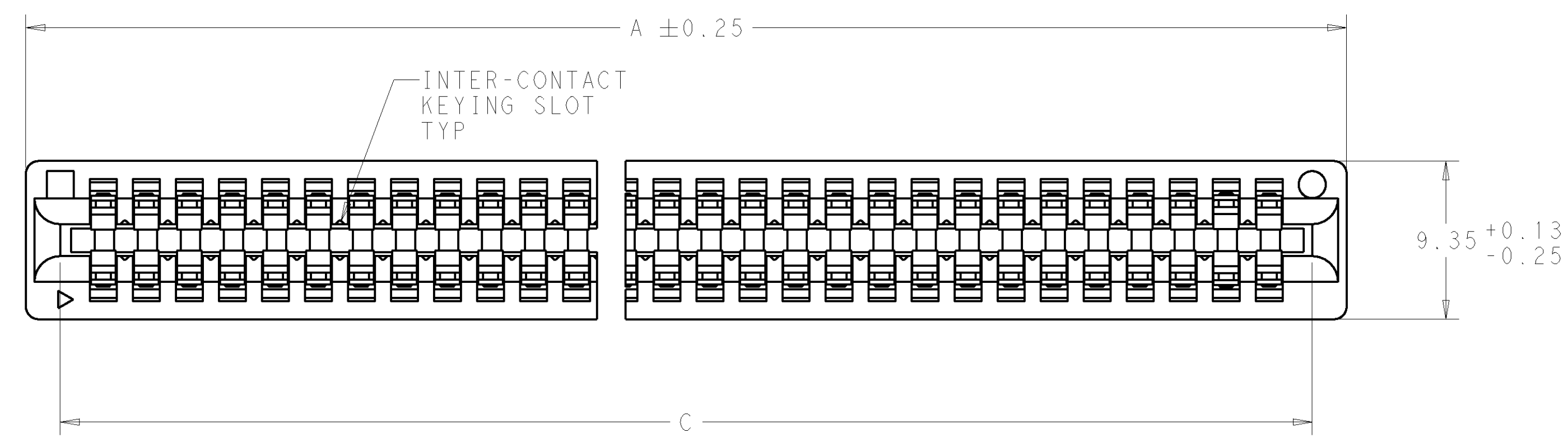


LOC	DIST	REV	LYR	DESCRIPTION	DATE	DWN	APVD
GP	00						
		AG		REV PER ECO-09-020951	15SEP2009	RG	EH
		AG1		REVISED PER ECO-10-000443	15JAN10	KK	AEG

- MATERIAL:  
 HOUSING: GLASS FILLED POLYESTER: COLOR, BLACK  
 CONTACT: PHOS BRONZE
- FINISH:  
 (SEE TABLE) GOLD PLATING IN CONTACT AREA,  
 0.00254 MIN TIN/LEAD ON SOLDER POSTS, ALL OVER 0.00127 MIN NICKEL
- 0.00076 MIN GOLD
- 0.000076 MIN GOLD FLASH
- AMP LOGO, TE PART NUMBER, DATE CODE AND CSA LOGO INK STAMPED  
 WHITE (HOT STAMPED OR LAZER PRINTED) IN THE APPROXIMATE AREA SHOWN,  
 EITHER SIDE PERMISSABLE, WHEN HOUSING SIZE PERMITS
- RECOMMENDED PCB FINISHED HOLE DIAMETER = 1.02±0.08
- THE RETENTION FEATURE OF THIS CONNECTOR IS DESIGNED FOR FULL SEATING  
 IN 1.57±0.20 THICK CIRCUIT BOARDS. FOR APPLICATIONS IN BOARDS OF OTHER  
 THICKNESS, CONTACT TYCO ELECTRONICS.



SUPERSEDED	2-645235-1
OBSOLETE	1-645235-7
SUPERSEDED	1-645235-3
SUPERSEDED	645235-7
	PART NUMBER

4	3-6, 55-58, 63-66, 115-118	149.86	154.94	156.21	159.00	59	60	1-645235-8
3	3-6, 65-68	86.36	91.44	92.71	95.50	34	35	1-645235-1
3	3-6, 31-34	43.18	48.26	49.53	52.32	17	18	645235-4
3	3-6, 49-52, 95-98	124.46	129.54	130.81	133.60	49	50	645235-3
3	3-6, 29-32 OR 31-34, 57-60	76.20	81.28	82.55	85.34	30	31	645235-1
GOLD PLATING	BOARD RETENTION FEATURE LOCATION	D	C	B	A	X	NO. OF DUAL POSITIONS	PART NUMBER

DIMENSIONS: mm		TOLERANCES UNLESS OTHERWISE SPECIFIED:		DWN: MAYER/GBZTBOWSKI		15SEP2009		Tyco Electronics	
0 PLC ±		1 PLC ±0.13		E. HOWARD		15SEP2009		Harrisburg, PA 17105-3608	
2 PLC ±		3 PLC ±		APVD: FELICKINGER/SPECHEKEL		NAME:		CONNECTOR ASSEMBLY	
4 PLC ±		ANGLES ±		PRODUCT SPEC: 108-9039		SIZE: CAGE CODE: DRAWING NO:		STANDARD EDGE, II	
MATERIAL: SEE NOTE 1		FINISH: SEE NOTE 2		APPLICATION SPEC: 114-13018		SCALE: 4:1		SHEET 1 OF 1	
				WEIGHT: -		A100779C=645235		REV: AG1	
				CUSTOMER DRAWING					