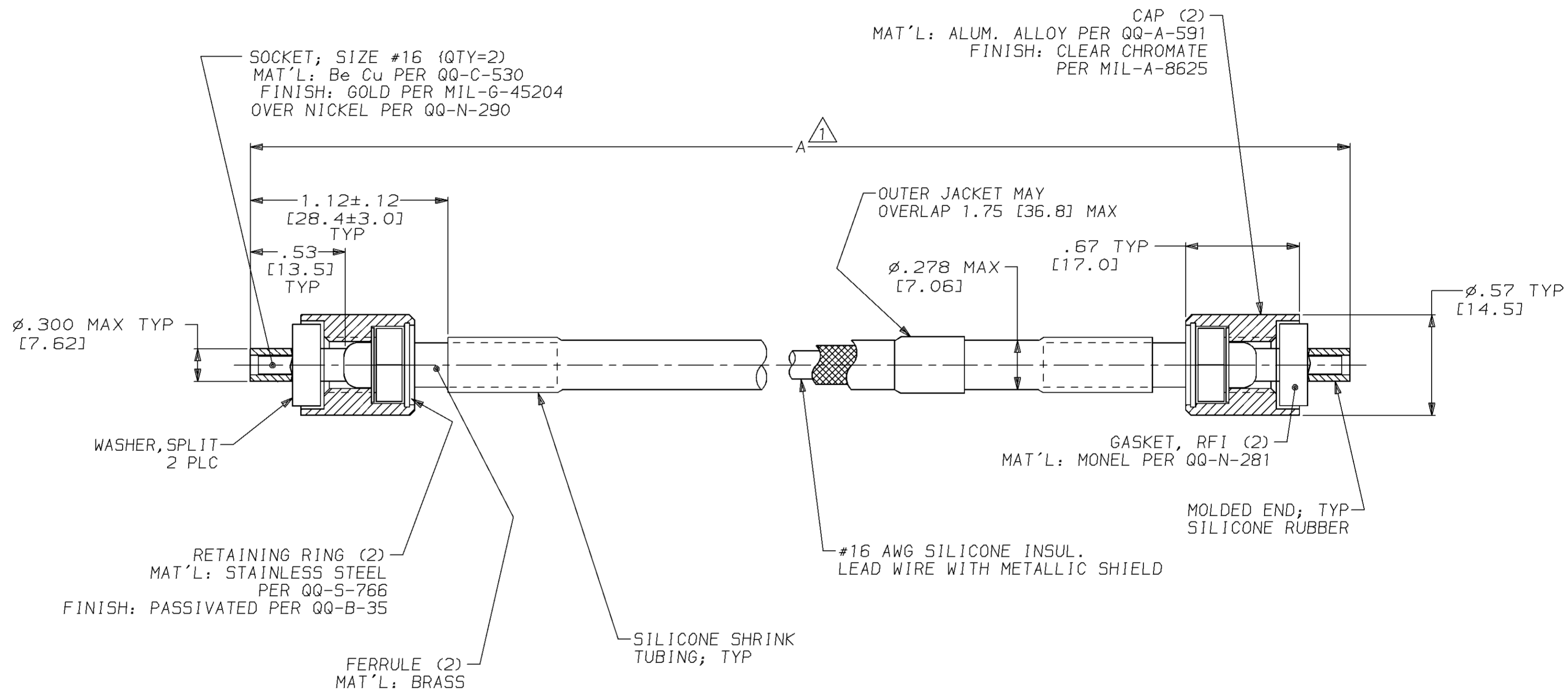


THIS DRAWING IS UNPUBLISHED. RELEASED FOR PUBLICATION ,19 .
 © COPYRIGHT 19 BY AMP INCORPORATED. ALL INTERNATIONAL RIGHTS RESERVED.

PROD CODE	LOC	DIST	P	F	ZONE	LTR	DESCRIPTION	DATE	APPD
4092	DF	50				B	REV & REDRAWN; 0600-1546-93	CT DE	6-94

PART NO.	A	
862605-1	6.50 [165.1]	OBSOLETE
862605-2	8.50 [215.9]	OBSOLETE
862605-3	15.00 [381.0]	OBSOLETE
862605-4	13.00 [330.2]	



1. TOLERANCE OF LEAD LENGTH:
 UP TO 24 INCHES [609.6] = ±.12 [±3.0]
 24 INCHES [609.6] & UP = ±1%
2. MARKED PER MIL-STD-130.
3. TO MATE WITH AMP LGH-1/2
 RECEPTACLE WITH .53 [13.5] BARREL DEPTH.

DO NOT SCALE PRINT. UNLESS SPECIFIED DIMENSIONS IN INCHES [mm] TOLERANCES ON: 2 PLC DEC ± .02 [0.5] 3 PLC DEC ± - ANGLES ± -	DR 5-25-94 C.C. THOMAS	AMP Incorporated Harrisburg, PA 17105-3608	
	CHK 6-2-94 D.EABY		
MATERIAL SEE CALLOUTS	APPD 6-2-94 D.EABY	NAME LEAD ASSEMBLY, DBL. END, LGH-1/2, RFI SHIELDED	
	APPD 6-2-94 C.C. THOMAS	PRODUCT SPEC -	
FINISH SEE CALLOUTS	APPLICATION SPEC -	SIZE C	CAGE CODE 00779
	WEIGHT -	SCALE 2:1	DRAWING NO 862605
THIS DRAWING IS A CONTROLLED DOCUMENT FOR AMP INCORPORATED. IT IS SUBJECT TO CHANGE AND THE CONTROLLING ENGINEERING ORGANIZATION SHOULD BE CONTACTED FOR THE LATEST REVISION.		SHEET 1 OF 1	