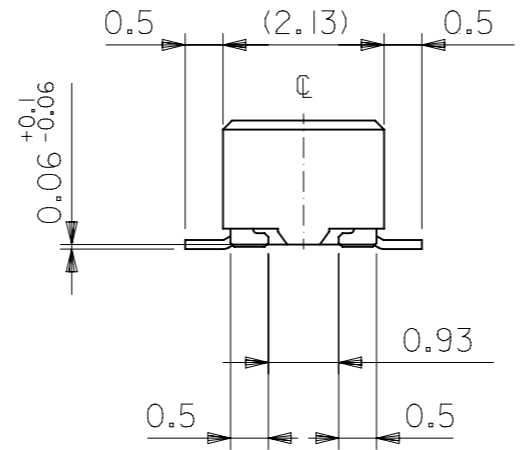
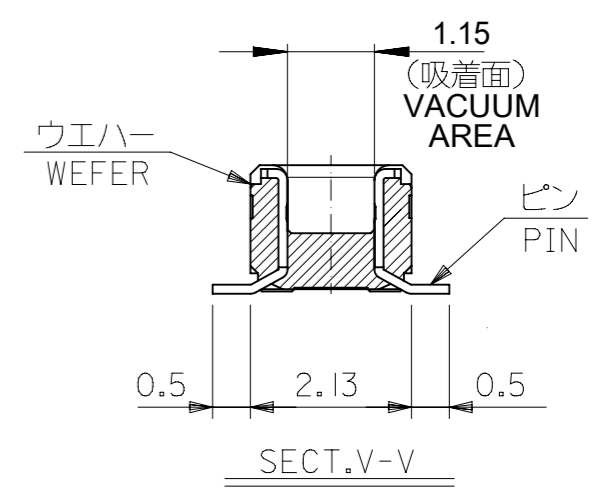


注記 NOTES:

- 使用材料 MATERIAL  
 ウエハー: 液晶ポリマー (LCP) ガラス充填 UL94V-0 (黒)  
 WAFER: LIQUID CRYSTAL POLYMER (GLASS FILLED)  
 UL94V-0 (COLOR:BLACK)  
 ピン: 黄銅 (t=0.12)  
 PIN: BRASS (t=0.12)  
 金具: リン青銅 (t=0.2)  
 FITTING NAIL: PHOSPHOR BRONZE (t=0.2)
- メッキ仕様 PLATING  
 ピン PIN  
 金メッキ 0.2 マイクロメートル以上 (コンタクト部)  
 GOLD 0.2MICROMETER MINIMUM (CONTACT AREA)  
 金メッキ 0.4 マイクロメートル以下 (テール部)  
 GOLD 0.4MICROMETER MAXIMUM (TAIL AREA)  
 下地メッキ: ニッケルメッキ 1.5 マイクロメートル以上  
 UNDER PLATING: NICKEL 1.5MICROMETER MINIMUM  
 金具 FITTING NAIL  
 錫メッキ 1.0 マイクロメートル以上  
 TIN PLATING 1.0MICROMETER MINIMUM  
 下地メッキ: ニッケルメッキ 1.0 マイクロメートル以上  
 UNDER PLATING: NICKEL 1.0MICROMETER MINIMUM



- (全極数/2) = 偶数の場合に適用。  
 APPLY FOR (CIRCUIT/2)=EVEN.
- 嵌合相手: 51338シリーズ (嵌合高さ = 2.0mm) 及び  
 500913シリーズ (嵌合高さ = 2.3mm)  
 MATE WITH: 51338 SERIES (HEIGHT = 2.0mm) AND  
 500913 SERIES (HEIGHT = 2.3mm)
- テール平坦度は、0.08以下  
 テール及び金具の平坦度は、0.1以下  
 TAIL COPLANARITY TO BE 0.08MAXIMUM  
 TAIL AND FITTING NAIL  
 COPLANARITY TO BE 0.1MAXIMUM
- ELV 及び RoHS 適合品  
 ELV AND RoHS COMPLIANT.



17.2	15.6	18.0	501745-0801	80
15.2	13.6	16.0	501745-0701	70
13.2	11.6	14.0	501745-0601	60
12.0	10.4	12.8	501745-0541	54
11.2	9.6	12.0	501745-0501	50
9.2	7.6	10.0	501745-0401	40
7.2	5.6	8.0	501745-0301	30
3.6	2.0	4.4	501745-9901	12
C	B	A	EMBOSSED PACKAGE	CKT.
			ORDER NO. オーダー番号	
			CONNECTOR SERIES No.	501745-***0

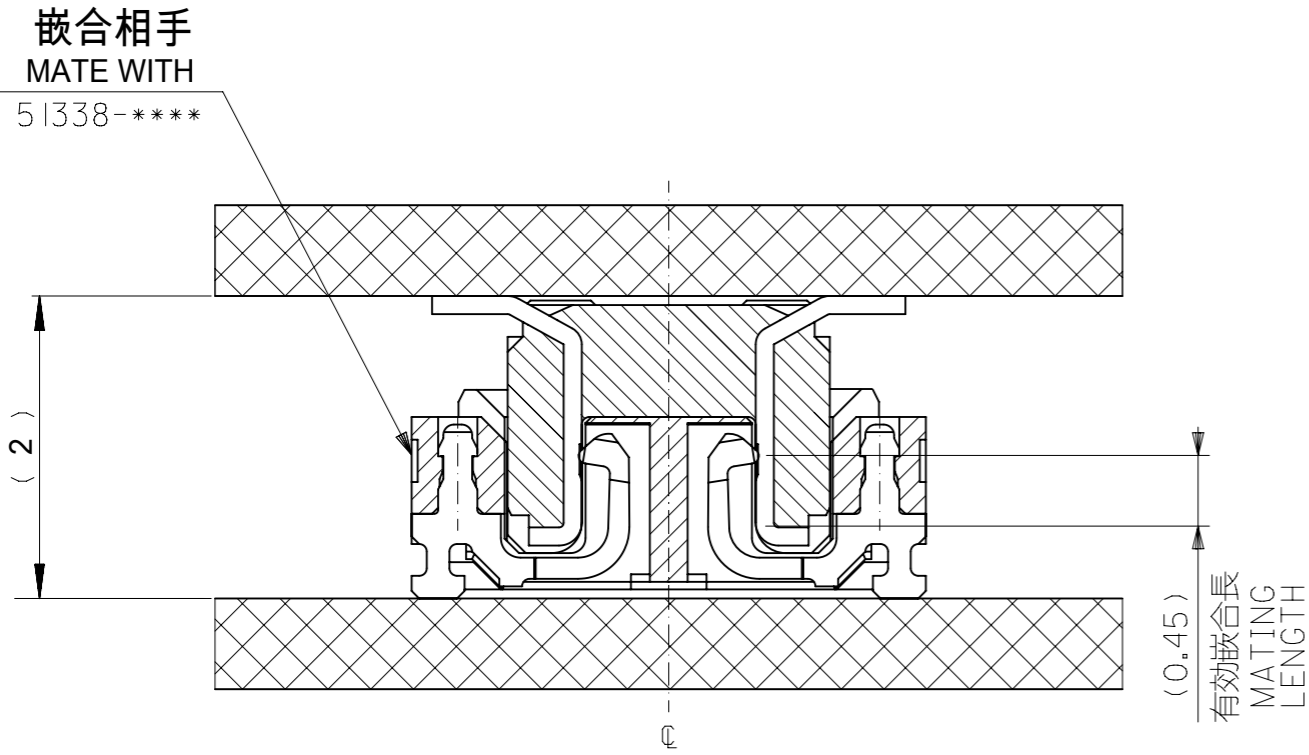
THIS DRAWING CONTAINS INFORMATION THAT IS PROPRIETARY TO MOLEX ELECTRONIC TECHNOLOGIES, LLC AND SHOULD NOT BE USED WITHOUT WRITTEN PERMISSION

DIMENSION UNITS	SCALE	CURRENT REV DESC:	<b>molex</b>		
mm	NTS				
GENERAL TOLERANCES (UNLESS SPECIFIED)			0.4 B-TO-B CONN. H = 2.0 / 2.3 J-BEND PLUG		
ANGULAR TOL ± 3.0°			PRODUCT CUSTOMER DRAWING		
4 PLACES	±	EC NO: 739909	DOCUMENT NUMBER		
3 PLACES	±	DRWN: RAJMOK	DOC TYPE DOC PART REVISION		
2 PLACES	±	CHK'D: HSHIMUYAMA	SD-501745-001		
1 PLACE	±	APPR: YNAITO	PSD 001 J		
0 PLACES	±	INITIAL REVISION:	SHEET NUMBER		
DRAFT WHERE APPLICABLE MUST REMAIN WITHIN DIMENSIONS			2007/03/06	1 OF 2	
THIRD ANGLE PROJECTION			2007/03/06		
DRAWING			SERIES	MATERIAL NUMBER	CUSTOMER
A3-SIZE			501745	SEE TABLE	GENERAL MARKET

GENERAL TOLERANCES (UNLESS SPECIFIED)

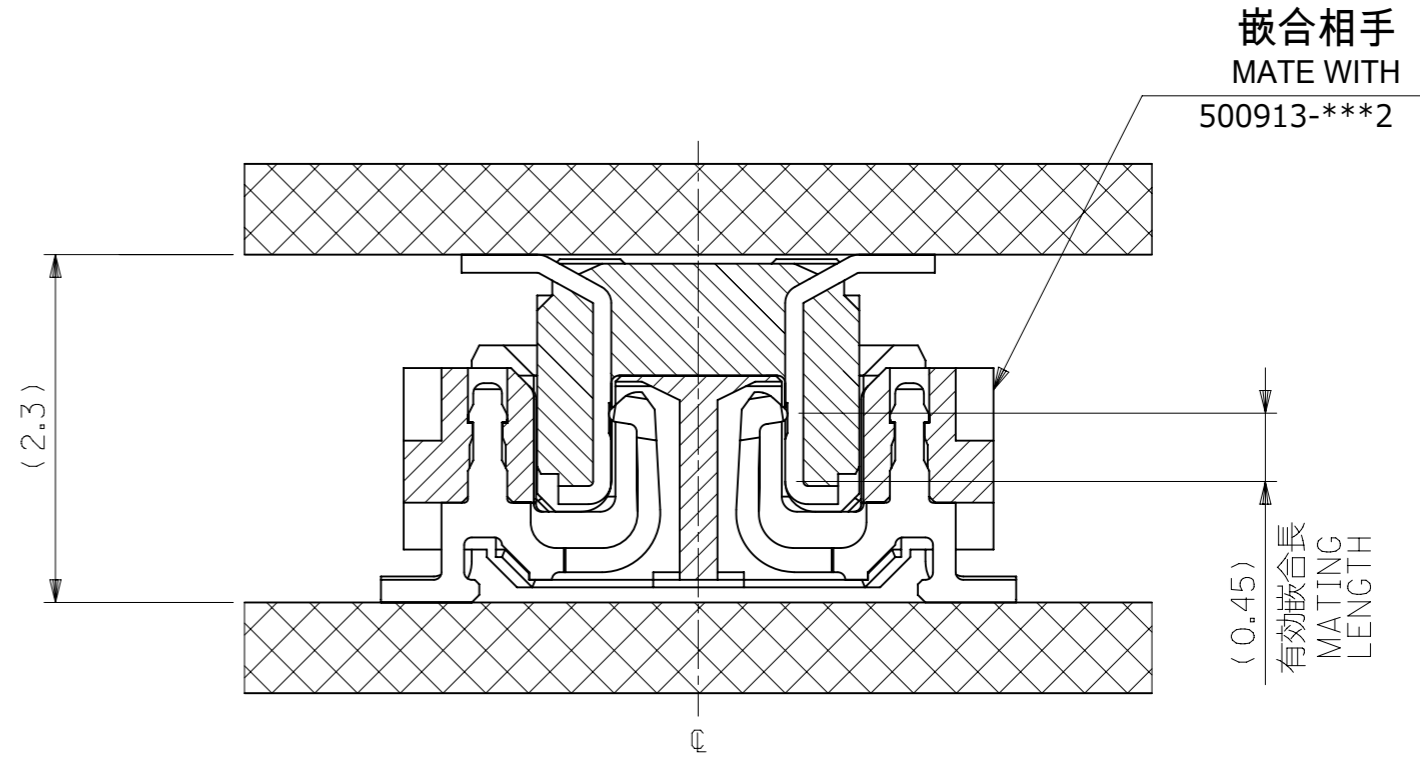
10 UNDER	±0.2
10 OVER 30 UNDER	±0.25
30 OVER	±0.3

# MATE : 501745 WITH 51338

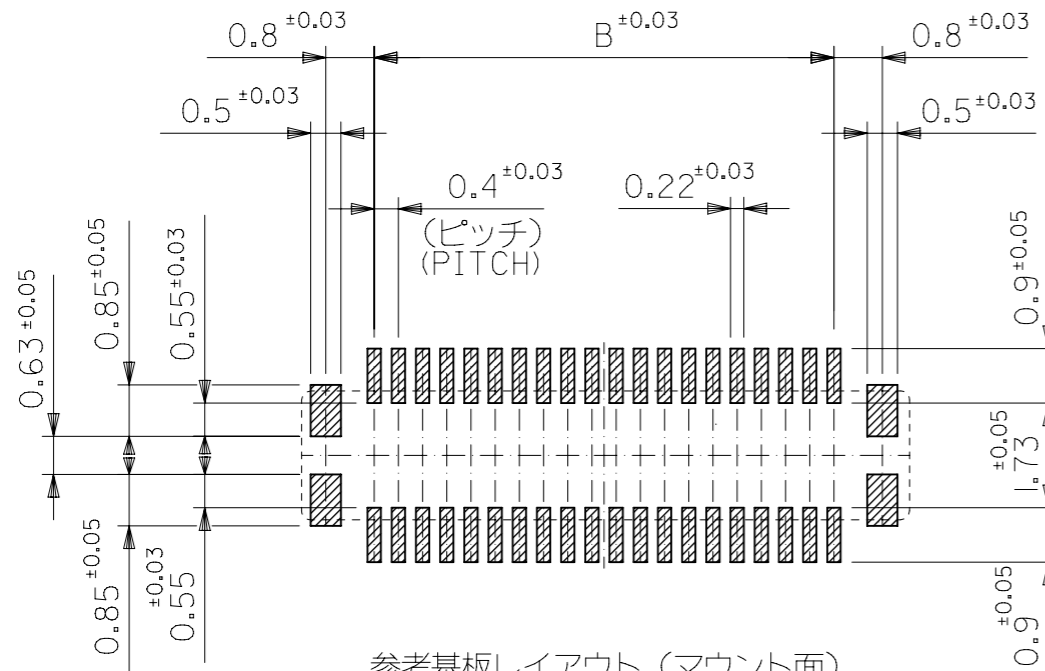


嵌合断面図 (参考)  
MATED DRAWING (REFERENCE)

# MATE : 501745 WITH 500913



嵌合断面図 (参考)  
MATED DRAWING (REFERENCE)



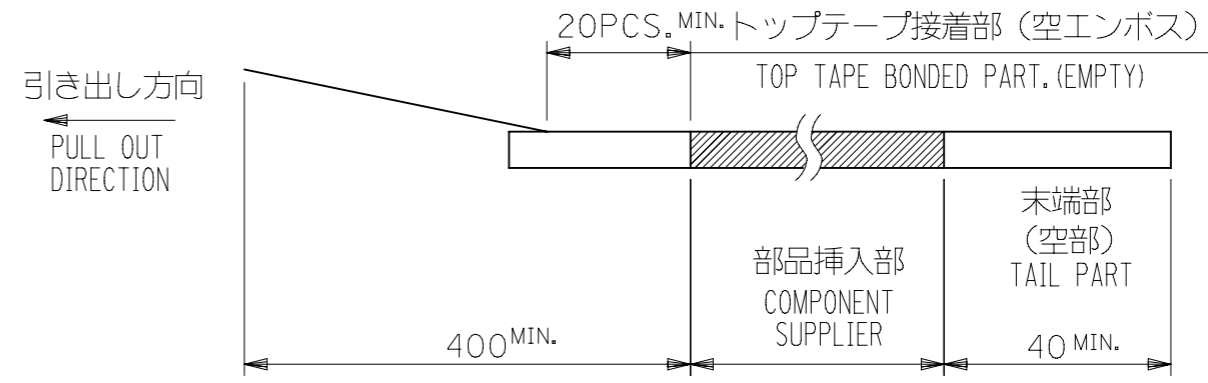
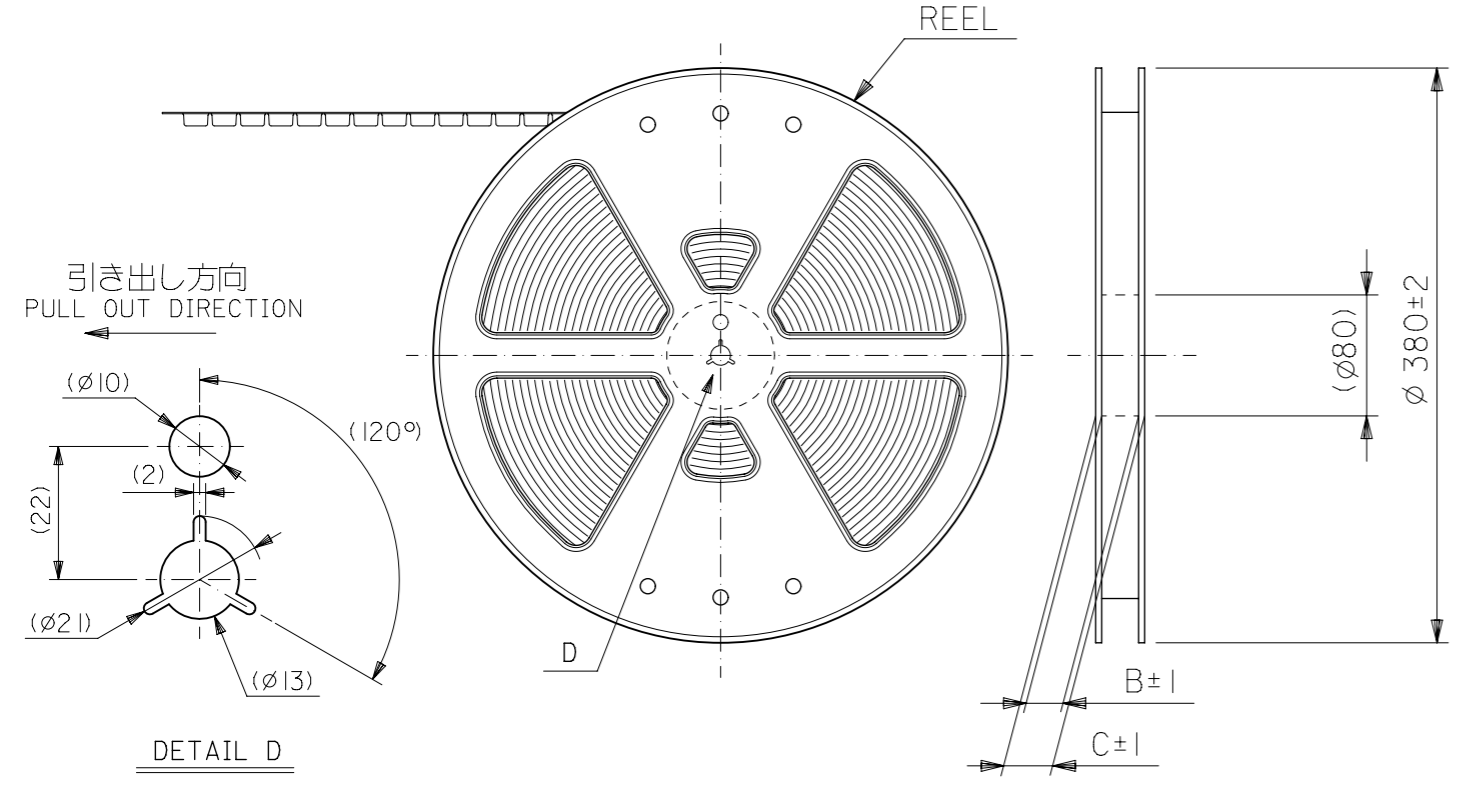
参考基板レイアウト (マウント面)  
P.C.BOARD PATTERN DIMENSION.  
(REFERENCE)  
(MOUNTING AREA)

GENERAL TOLERANCES (UNLESS SPECIFIED)	
10 <sup>UNDER</sup>	±0.2
10 <sup>OVER</sup> 30 <sup>UNDER</sup>	±0.25
30 <sup>OVER</sup>	±0.3

THIS DRAWING CONTAINS INFORMATION THAT IS PROPRIETARY TO MOLEX ELECTRONIC TECHNOLOGIES, LLC AND SHOULD NOT BE USED WITHOUT WRITTEN PERMISSION		CONNECTOR SERIES No. 501745-***0	
DIMENSION UNITS mm	SCALE NTS	CURRENT REV DESC.	
GENERAL TOLERANCES (UNLESS SPECIFIED)		molex	
ANGULAR TOL ± 3.0°		0.4 B-TO-B CONN. H = 2.0 / 2.3 J-BEND PLUG	
4 PLACES ±	EC NO: 739909	PRODUCT CUSTOMER DRAWING	
3 PLACES ±	DRWN: RAJMOK 2023/02/21	DOCUMENT NUMBER	
2 PLACES ±	CHK'D: HSHIMOMYAMA 2023/02/23	SD-501745-001	
1 PLACE ±	APPR: YNAITO 2023/02/23	DOC TYPE DOC PART REVISION	
0 PLACES ±	INITIAL REVISION:	PSD 001 J	
DRAFT WHERE APPLICABLE MUST REMAIN WITHIN DIMENSIONS		DRWN: KSAITO01 2007/03/06	MATERIAL NUMBER
THIRD ANGLE PROJECTION		APPR: NUKITA 2007/03/06	CUSTOMER
DRAWING		SERIES	SHEET NUMBER
A3-SIZE		501745	2 OF 2
SEE SHEET-1		GENERAL MARKET	

NOTES

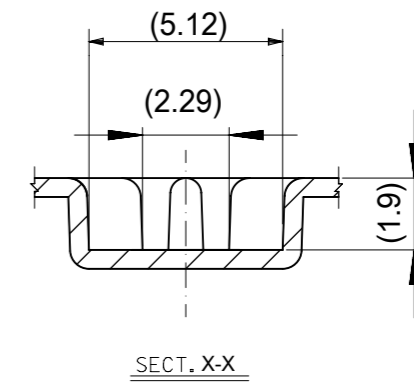
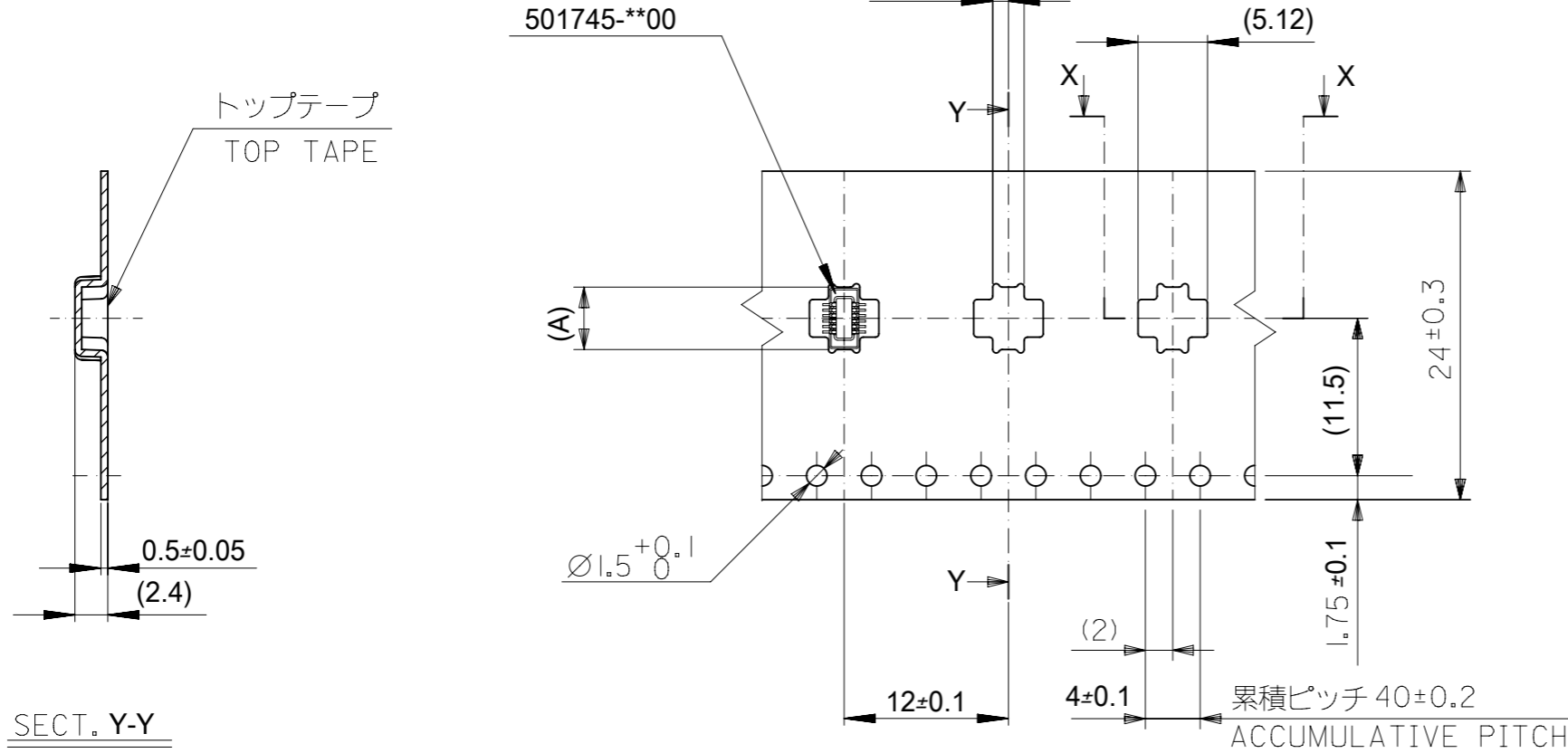
- 製品詳細寸法については製品単体図面を参照下さい。  
DETAIL DIMENSIONS, SEE PRODUCT DRAWING.
- 梱包数量：2500個/リール  
NUMBER OF CONNECTORS : 2500PCS/REEL
- リードテープ長さ LEAD TAPE LENGTH



- 材料 MATERIAL  
 キャリアテープ ( CARRIER TAPE ) : ポリスチレン ( POLYSTYRENE )  
 トップテープ ( TOP TAPE ) : PET  
 リール ( REEL ) : ポリスチレン ( PS ) <リサイクル材を含む>  
 POLYSTYRENE ( PS ) <RECYCLE MATERIAL CONTAINED>
- ELV 及び RoHS 適合品  
 ELV AND RoHS COMPLIANT.

THIS DRAWING CONTAINS INFORMATION THAT IS PROPRIETARY TO MOLEX ELECTRONIC TECHNOLOGIES, LLC AND SHOULD NOT BE USED WITHOUT WRITTEN PERMISSION																									
<table border="1"> <tr> <th>DIMENSION UNITS</th> <th>SCALE</th> </tr> <tr> <td>mm</td> <td>NTS</td> </tr> </table>	DIMENSION UNITS	SCALE	mm	NTS	<table border="1"> <tr> <th colspan="2">GENERAL TOLERANCES (UNLESS SPECIFIED)</th> </tr> <tr> <td>4 PLACES</td> <td>±</td> </tr> <tr> <td>3 PLACES</td> <td>±</td> </tr> <tr> <td>2 PLACES</td> <td>±</td> </tr> <tr> <td>1 PLACE</td> <td>±</td> </tr> <tr> <td>0 PLACES</td> <td>±</td> </tr> </table>	GENERAL TOLERANCES (UNLESS SPECIFIED)		4 PLACES	±	3 PLACES	±	2 PLACES	±	1 PLACE	±	0 PLACES	±								
DIMENSION UNITS	SCALE																								
mm	NTS																								
GENERAL TOLERANCES (UNLESS SPECIFIED)																									
4 PLACES	±																								
3 PLACES	±																								
2 PLACES	±																								
1 PLACE	±																								
0 PLACES	±																								
<table border="1"> <tr> <th colspan="2">GENERAL TOLERANCES (UNLESS SPECIFIED)</th> </tr> <tr> <td>10<sup>UNDER</sup></td> <td>±0.2</td> </tr> <tr> <td>10<sup>OVER</sup> 30<sup>UNDER</sup></td> <td>±0.25</td> </tr> <tr> <td>30<sup>OVER</sup></td> <td>±0.3</td> </tr> </table>	GENERAL TOLERANCES (UNLESS SPECIFIED)		10 <sup>UNDER</sup>	±0.2	10 <sup>OVER</sup> 30 <sup>UNDER</sup>	±0.25	30 <sup>OVER</sup>	±0.3	<table border="1"> <tr> <th colspan="2">CURRENT REV DESC:</th> </tr> <tr> <td>EC NO: 638555</td> <td>2020/05/15</td> </tr> <tr> <td>DRWN: BKBAE</td> <td>2020/05/29</td> </tr> <tr> <td>CHK'D: SHCHU</td> <td>2020/06/01</td> </tr> <tr> <td>APPR: SHCHU</td> <td></td> </tr> <tr> <th colspan="2">INITIAL REVISION:</th> </tr> <tr> <td>DRWN: K.SAITO</td> <td>2007/03/01</td> </tr> <tr> <td>APPR: N.UKITA</td> <td>2007/03/01</td> </tr> </table>	CURRENT REV DESC:		EC NO: 638555	2020/05/15	DRWN: BKBAE	2020/05/29	CHK'D: SHCHU	2020/06/01	APPR: SHCHU		INITIAL REVISION:		DRWN: K.SAITO	2007/03/01	APPR: N.UKITA	2007/03/01
GENERAL TOLERANCES (UNLESS SPECIFIED)																									
10 <sup>UNDER</sup>	±0.2																								
10 <sup>OVER</sup> 30 <sup>UNDER</sup>	±0.25																								
30 <sup>OVER</sup>	±0.3																								
CURRENT REV DESC:																									
EC NO: 638555	2020/05/15																								
DRWN: BKBAE	2020/05/29																								
CHK'D: SHCHU	2020/06/01																								
APPR: SHCHU																									
INITIAL REVISION:																									
DRWN: K.SAITO	2007/03/01																								
APPR: N.UKITA	2007/03/01																								
<table border="1"> <tr> <th colspan="2">DRAFT WHERE APPLICABLE MUST REMAIN WITHIN DIMENSIONS</th> </tr> <tr> <td>THIRD ANGLE PROJECTION</td> <td></td> </tr> </table>	DRAFT WHERE APPLICABLE MUST REMAIN WITHIN DIMENSIONS		THIRD ANGLE PROJECTION		<table border="1"> <tr> <th>DOCUMENT NUMBER</th> <th>DOC TYPE</th> <th>DOC PART</th> <th>REVISION</th> </tr> <tr> <td>SD-501745-002</td> <td>PSD</td> <td>001</td> <td>F</td> </tr> </table>	DOCUMENT NUMBER	DOC TYPE	DOC PART	REVISION	SD-501745-002	PSD	001	F												
DRAFT WHERE APPLICABLE MUST REMAIN WITHIN DIMENSIONS																									
THIRD ANGLE PROJECTION																									
DOCUMENT NUMBER	DOC TYPE	DOC PART	REVISION																						
SD-501745-002	PSD	001	F																						
<table border="1"> <tr> <th>DRAWING</th> <th>SERIES</th> <th>MATERIAL NUMBER</th> <th>CUSTOMER</th> <th>SHEET NUMBER</th> </tr> <tr> <td>A3-SIZE</td> <td>501745</td> <td>SEE CHART</td> <td>GENERAL MARKET</td> <td>1 OF 4</td> </tr> </table>	DRAWING	SERIES	MATERIAL NUMBER	CUSTOMER	SHEET NUMBER	A3-SIZE	501745	SEE CHART	GENERAL MARKET	1 OF 4															
DRAWING	SERIES	MATERIAL NUMBER	CUSTOMER	SHEET NUMBER																					
A3-SIZE	501745	SEE CHART	GENERAL MARKET	1 OF 4																					

引き出し方向  
PULL OUT DIRECTION



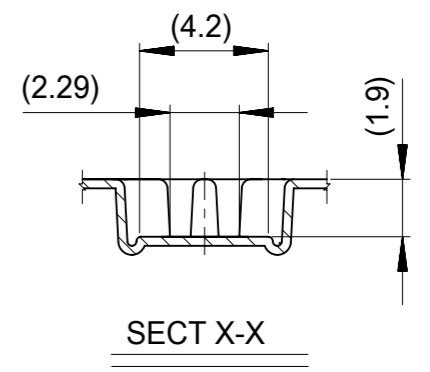
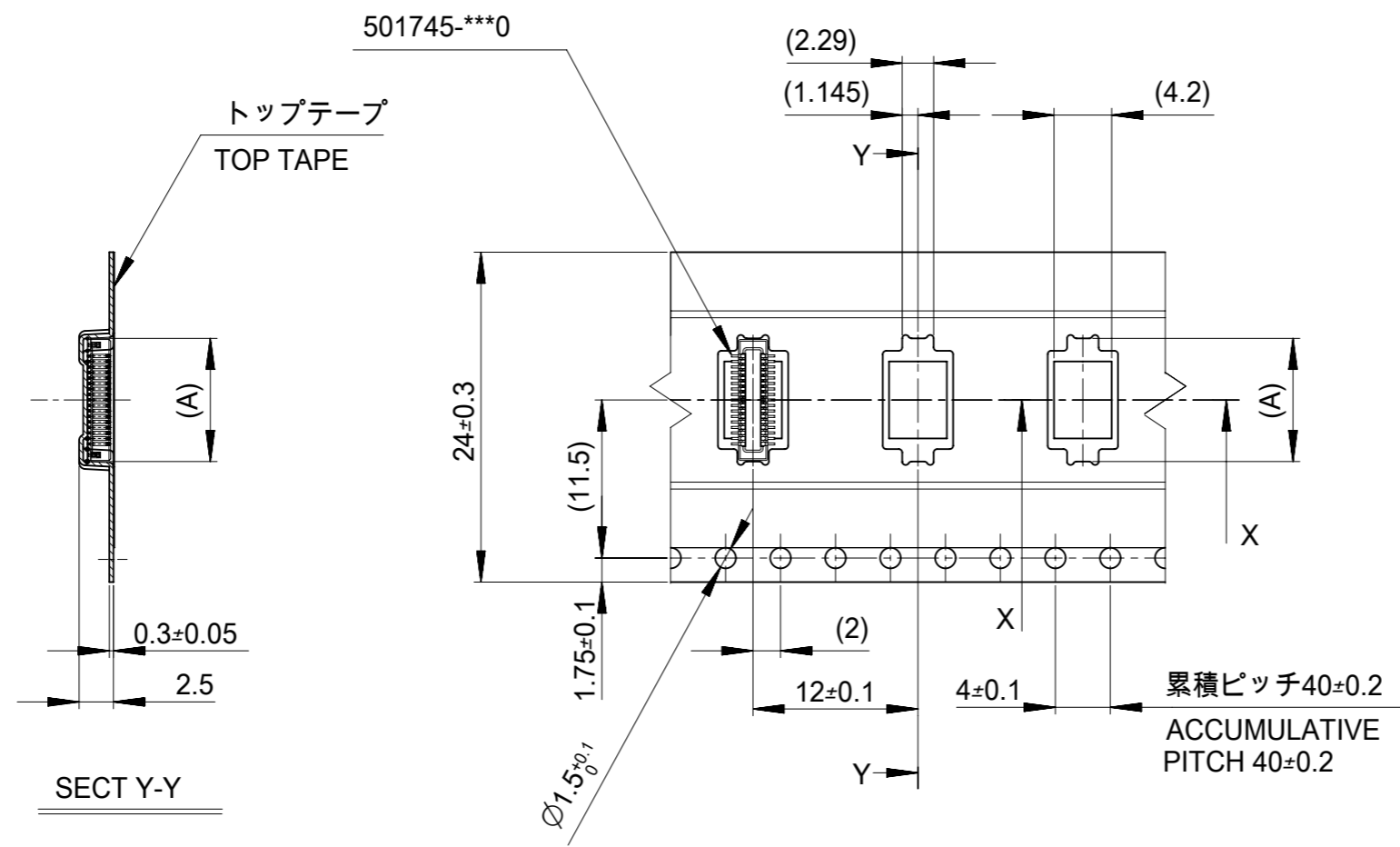
注記)製品がポケット内に問題なく収まること。  
NOTE. Pocket should contain product smoothly.

24	29.4	25.4	4.56	501745-9901	12
キャリアテープ幅 CARRIER TAPE WIDTH	C	B	(A)	オーダー番号 ORDER NO.	極数 CKT.
CONNECTOR SERIES No.				501745-***0	

THIS DRAWING CONTAINS INFORMATION THAT IS PROPRIETARY TO MOLEX ELECTRONIC TECHNOLOGIES, LLC AND SHOULD NOT BE USED WITHOUT WRITTEN PERMISSION					
DIMENSION UNITS		SCALE		CURRENT REV DESC:	
mm	NTS				
GENERAL TOLERANCES (UNLESS SPECIFIED)					
		MM	INCH		
4 PLACES	±			EC NO: 638555	
3 PLACES	±			DRWN: BKBAE 2020/05/15	
2 PLACES	±			CHK'D: SHCHU 2020/05/29	
1 PLACE	±			APPR: SHCHU 2020/06/01	
0 PLACES	±			INITIAL REVISION:	
		ANGULAR TOL ± 3.0°		DRWN: K.SAITO 2007/03/01	
		DRAFT WHERE APPLICABLE MUST REMAIN WITHIN DIMENSIONS		APPR: N.UKITA 2007/03/01	
		THIRD ANGLE PROJECTION	DRAWING	SERIES	MATERIAL NUMBER
			A3-SIZE	501745	SEE CHART
		CUSTOMER		SHEET NUMBER	
		GENERAL MARKET		2 OF 4	

GENERAL TOLERANCES (UNLESS SPECIFIED)		
10 <sup>UNDER</sup>		±0.2
10 <sup>OVER</sup>	30 <sup>UNDER</sup>	±0.25
30 <sup>OVER</sup>		±0.3

引き出し方向  
PULL OUT  
DIRECTION



SECT Y-Y

SECT X-X

24	29.4	25.4	14.16	501745-0601	60		
			12.96	501745-0541	54		
			12.16	501745-0501	50		
			10.16	501745-0401	40		
			8.16	501745-0301	30		
キャリアテープ幅 CARRIER TAPE WIDTH			C	B	(A)	オーダー番号 ORDER NO.	極数 CKT.

CONNECTOR SERIES No. 501745-\*\*\*0

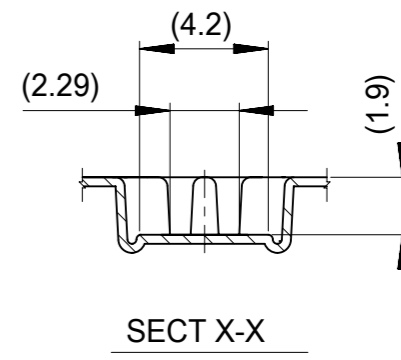
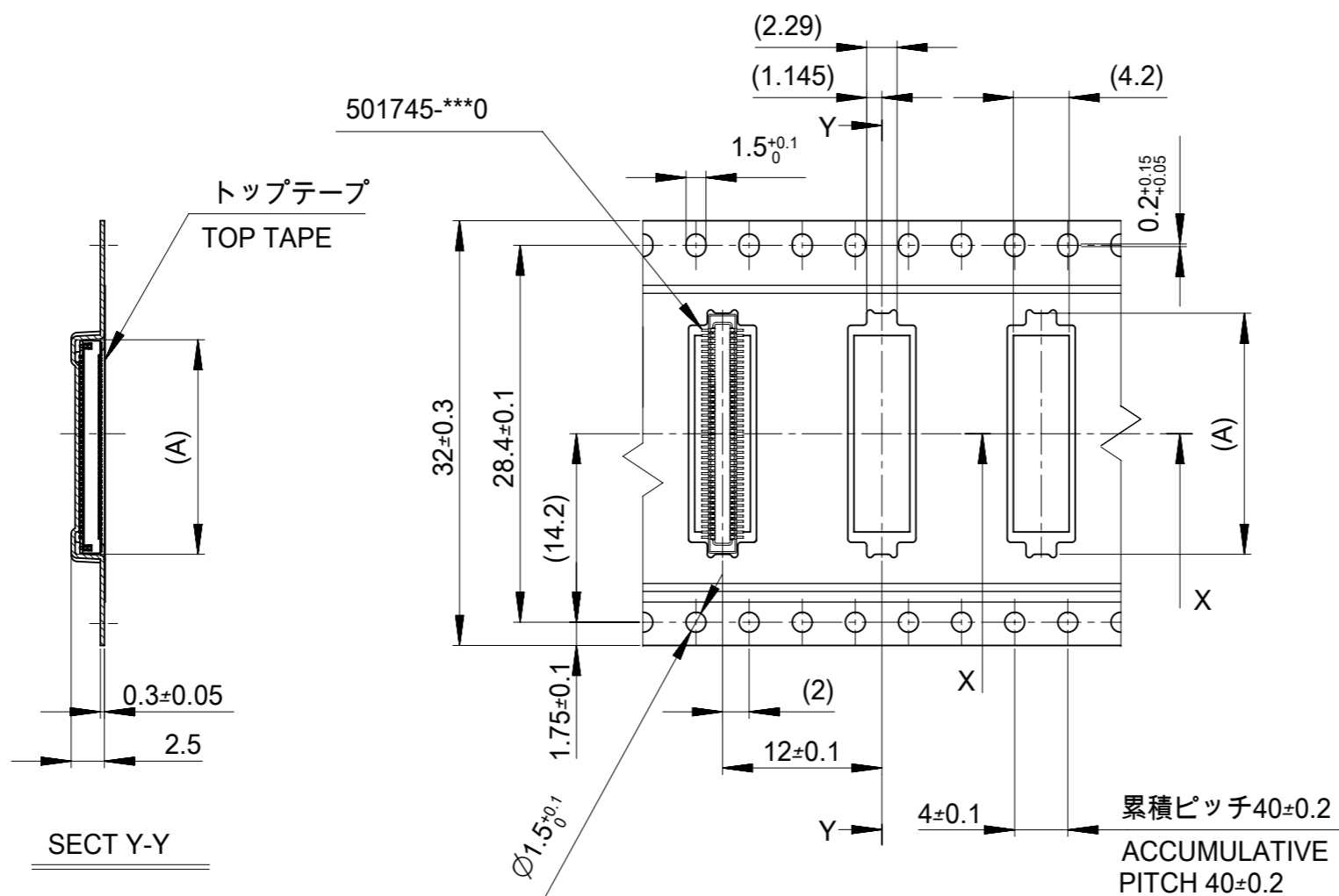
THIS DRAWING CONTAINS INFORMATION THAT IS PROPRIETARY TO MOLEX ELECTRONIC TECHNOLOGIES, LLC AND SHOULD NOT BE USED WITHOUT WRITTEN PERMISSION

DIMENSION UNITS	SCALE	CURRENT REV DESC:	<b>molex</b>		
mm	NTS				
GENERAL TOLERANCES (UNLESS SPECIFIED)			0.4 B-TO-B CONN. H = 2.0 / 2.3 J-BEND PLUG		
4 PLACES ±			PRODUCT CUSTOMER DRAWING		
3 PLACES ±			DOCUMENT NUMBER		
2 PLACES ±			SD-501745-002		
1 PLACE ±			DOC TYPE		
0 PLACES ±			PSD		
ANGULAR TOL ± 3.0°			DOC PART		
DRAFT WHERE APPLICABLE MUST REMAIN WITHIN DIMENSIONS			001		
THIRD ANGLE PROJECTION			REVISION		
DRAWING			F		
SERIES			SHEET NUMBER		
A3-SIZE			3 OF 4		
501745			SEE CHART		
MATERIAL NUMBER			CUSTOMER		
GENERAL MARKET					

GENERAL TOLERANCES (UNLESS SPECIFIED)

10 <sup>UNDER</sup>	±0.2
10 <sup>OVER</sup> 30 <sup>UNDER</sup>	±0.25
30 <sup>OVER</sup>	±0.3

引き出し方向  
PULL OUT  
DIRECTION



SECT Y-Y

32	37.4	33.4	18.16	501745-0801	80
			16.16	501745-0701	70
キャリアテープ幅 CARRIER TAPE WIDTH	C	B	(A)	オーダー番号 ORDER NO.	極数 CKT.
CONNECTOR SERIES No.					501745-***0

THIS DRAWING CONTAINS INFORMATION THAT IS PROPRIETARY TO MOLEX ELECTRONIC TECHNOLOGIES, LLC AND SHOULD NOT BE USED WITHOUT WRITTEN PERMISSION					
DIMENSION UNITS		SCALE		CURRENT REV DESC:	
mm	NTS				
GENERAL TOLERANCES (UNLESS SPECIFIED)					
		MM	INCH		
4 PLACES	±			EC NO: 638555	
3 PLACES	±			DRWN: BKBAE	2020/05/15
2 PLACES	±			CHK'D: SHCHU	2020/05/29
1 PLACE	±			APPR: SHCHU	2020/06/01
0 PLACES	±			INITIAL REVISION:	
		ANGULAR TOL ± 3.0°		DRWN: K.SAITO	2007/03/01
		DRAFT WHERE APPLICABLE MUST REMAIN WITHIN DIMENSIONS		APPR: N.UKITA	2007/03/01
		THIRD ANGLE PROJECTION	DRAWING	SERIES	MATERIAL NUMBER
			A3-SIZE	501745	SEE CHART
		CUSTOMER	SHEET NUMBER		
		GENERAL MARKET	4 OF 4		

GENERAL TOLERANCES (UNLESS SPECIFIED)		
10 <sup>UNDER</sup>		±0.2
10 <sup>OVER</sup>	30 <sup>UNDER</sup>	±0.25
30 <sup>OVER</sup>		±0.3

<b>molex</b>			
0.4 B-TO-B CONN. H = 2.0 / 2.3 J-BEND PLUG			
PRODUCT CUSTOMER DRAWING			
DOCUMENT NUMBER	DOC TYPE	DOC PART	REVISION
SD-501745-002	PSD	001	F