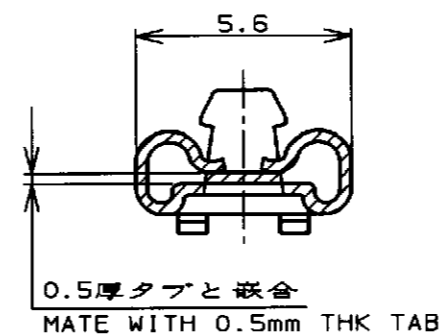
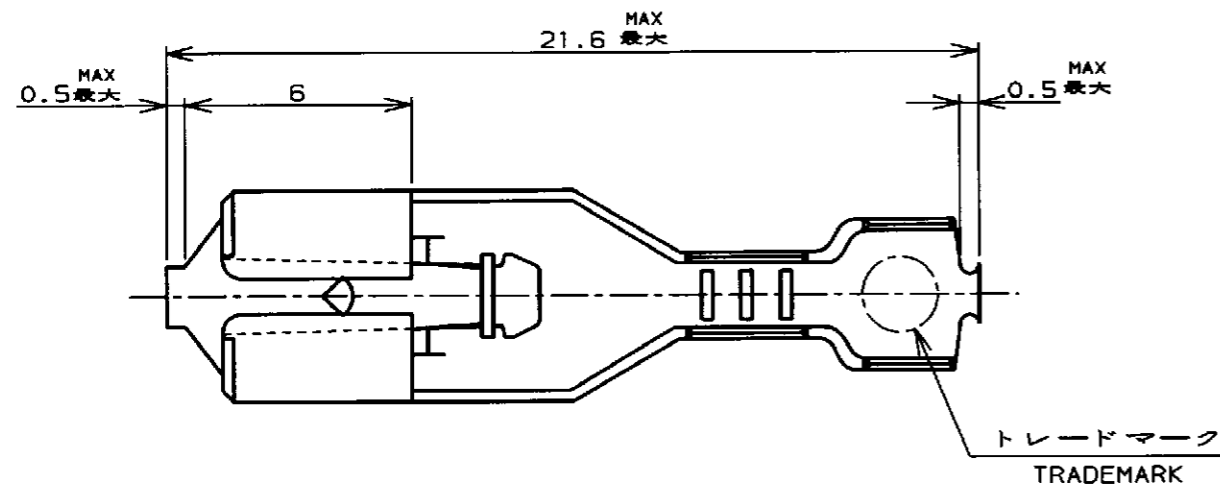


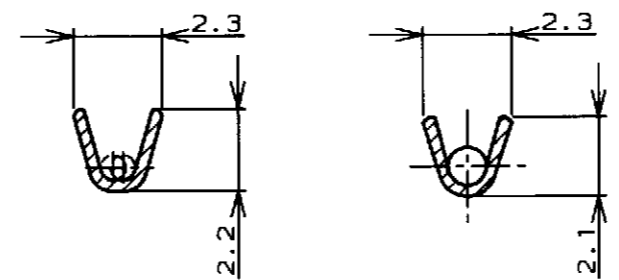
LOC J  
DIST //

REVISIONS

P	LTR	DESCRIPTION	DATE	DWN	APVD
H2		REVISED PER ECO-11-005030	22MAR11	RK	HMR
H3		REVISED PER ECO-17-016487	10NOV2017	RS	HG

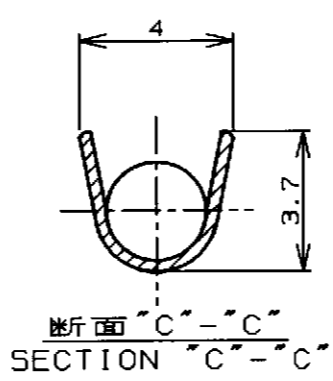
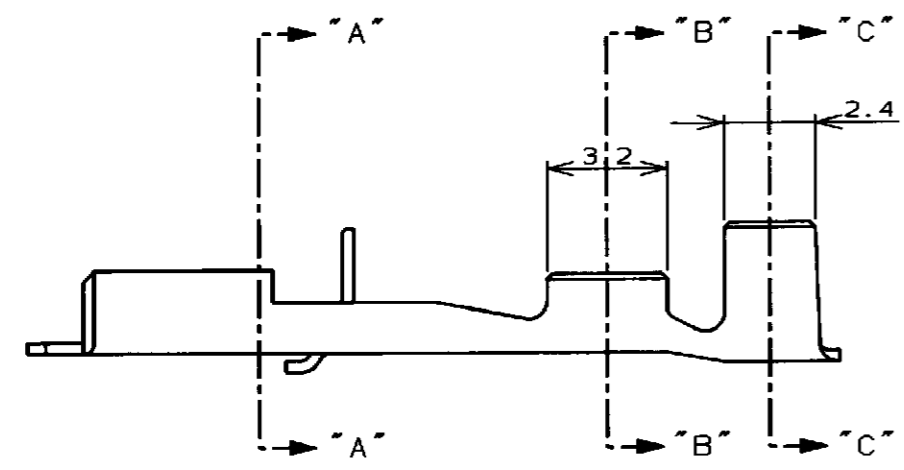


断面 "A"- "A"  
SECTION "A"- "A"



TYPE "B" TYPE "A"

断面 "B"- "B"  
SECTION "B"- "B"



断面 "C"- "C"  
SECTION "C"- "C"

注;  
1. 適用ハウジング型番  
172074, 172075, 173974

NOTES;  
1. APPLICABLE HOUSING P/N  
172074, 172075, 173974

2 OBSOLETE PARTS: OBSOLETE CIS STREAMLINING  
PER D.RENAUD/D.SINISI

3 WITH INTERLEAVING PAPER.

3	170330-1	A	錫めつき済黄銅0.3t PRE-TIN BRASS 0.3t THK	170324-6
	---	A	錫めつき済りん青銅0.3t PRE-TIN PHOS BRO 0.3t THK	170324-5
	170330-2	A	ニッケルめつき仕上りん青銅0.3t PHOS BRO 0.3t THK NICKEL PL	170324-2
2	---	B		170324-4
	170330-1	A	錫めつき済黄銅0.3t PRE-TIN BRASS 0.3t THK	170324-1
	ばら状端子型番 LOOSE PIECE P/N	ワイヤバレルタイプ WIRE BARREL TYPE	材料 MATERIAL	型番 STRIP FORM P/N

WIRE RANGE AWG#24-#20  
0.22~0.53mm<sup>2</sup>  
INSULATION DIA  
1.5~2.7φmm

DIMENSIONS 単位: 純 mm		TOLERANCES UNLESS OTHERWISE SPECIFIED 一般公差		TE Connectivity NAME "187" SERIES POSITIVE LOCK (MARK II) REC. "187" シリーズ ポジティブ ロック (マーク II) リセブタクル	
		ANGLE. ±3°		PRODUCT SPEC 108-5126 APPLICATION SPEC 114-5041 WEIGHT --	
MATERIAL 材料 SEE TABLE 表参照		FINISH 仕上 SEE TABLE 表参照		SIZE A3 CAGE CODE 00779 DRAWING NO C=170324 RESTRICTED TO --	
CUSTOMER DRAWING				SCALE 5-1 SHEET 1 OF 1 REV H3	