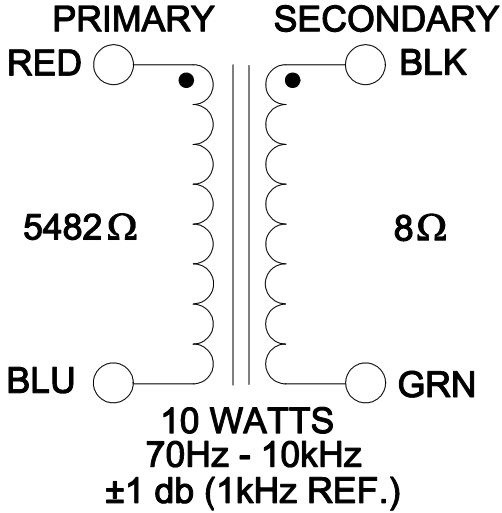
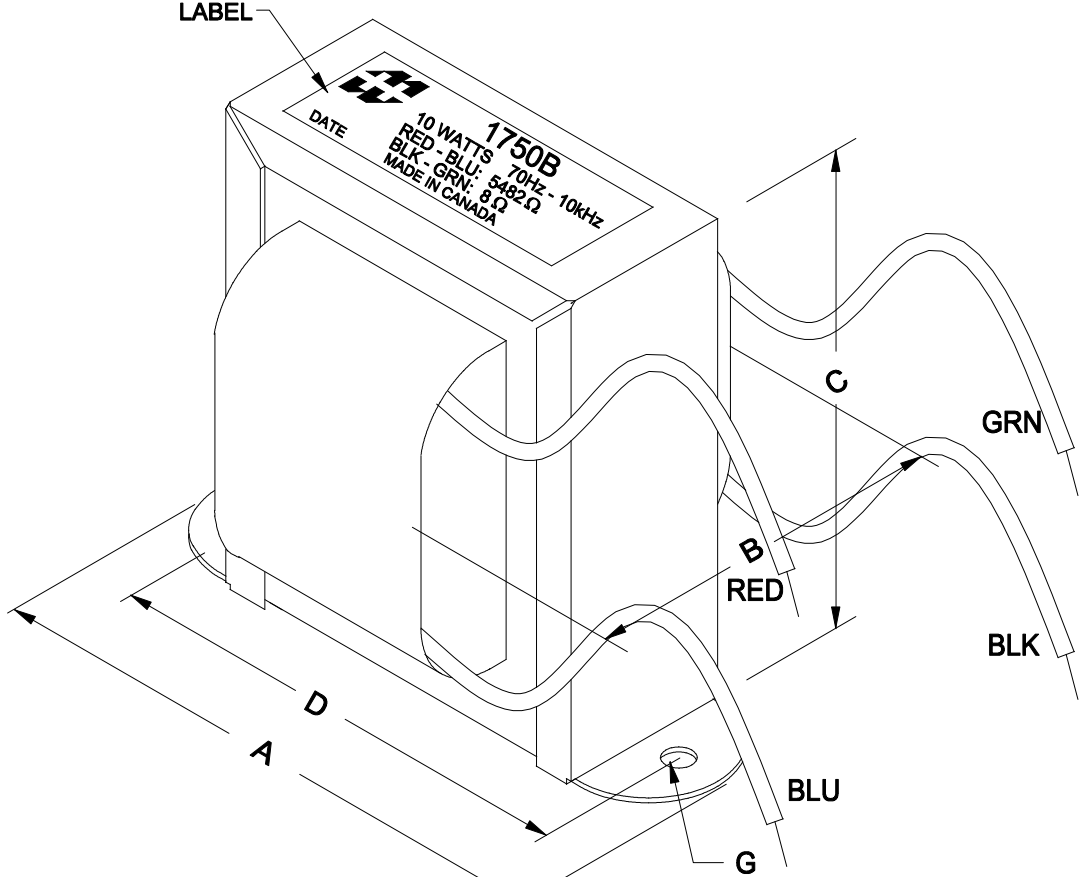


DIMENSIONS:	
A	2.875" ±0.063
B	1.900" ±0.125
C	2.370" ±0.063
D	2.375" ±0.063
G	0.187" ±0.015



NOTE: ALL LEADS 9" LONG MIN.

ELECTRICAL DATA:		
TESTS	CONDITIONS	ACCEPTANCE CRITERIA
Iex	@ 234V, 400Hz, RED - BLU	17.88mA Max.
Sec. N.L.V	@ 234V, 400Hz, RED - BLU	
	BLK - GRN =	8.882V ±2%
DCR	@ 20°C, RED - BLU =	254.6 Ω ±20%
	@ 20°C, BLK - GRN =	0.420 Ω ±20%
HIPOT	PRIMARY - SECONDARY	1750V, 60Hz, 1 SEC

REV.#	REVISION	DATE
0	RELEASED.	09/21/10

HAMMOND ELECTRONIC DIVISION
MANUFACTURING 52 RANKIN PLACE,
 WATERLOO, ONTARIO, N2J 3Z5 PH # (519) 886-6181
 FAX # (519) 886-9540

DWG. BY: C. ILIE CHK'D BY: TITLE: 1750B
 DATE: 09/21/10 APP'D. BY: TRANSFORMER DWG. NO. 1750B
 DIMENSIONS: IN(X) MM()