

THIS DRAWING IS UNPUBLISHED.

RELEASED FOR PUBLICATION

© COPYRIGHT - By -

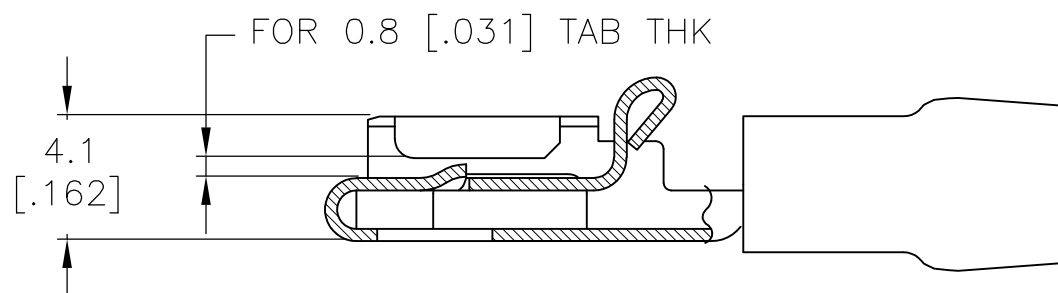
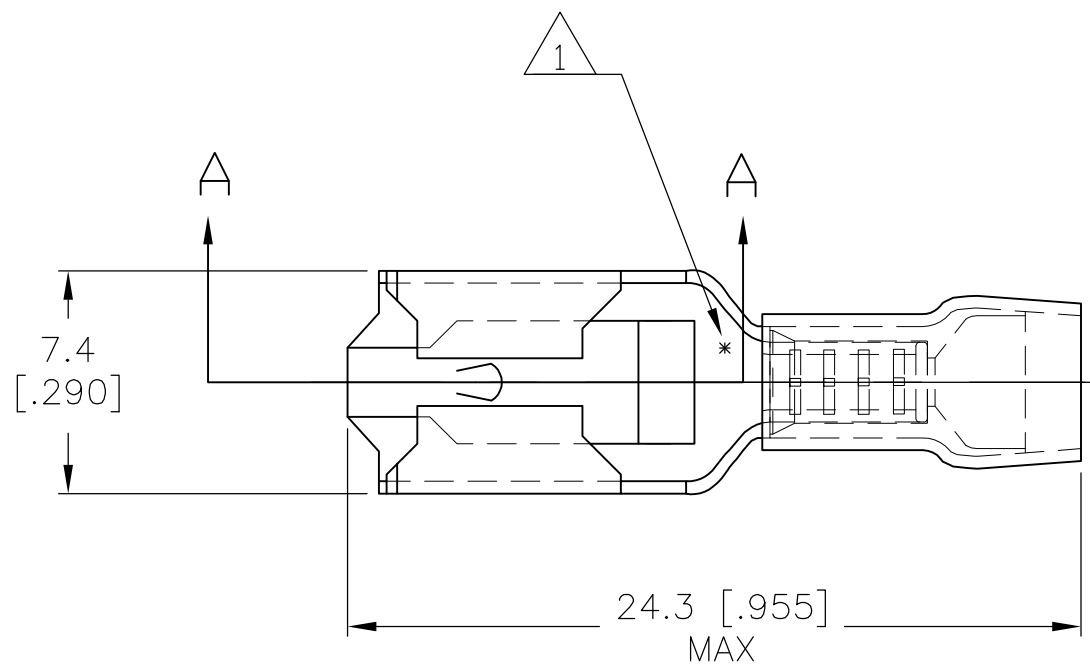
ALL RIGHTS RESERVED.

LOC  
G

DIST  
02

REVISIONS


P	LTR	DESCRIPTION	DATE	DWN	APVD
	E5	REVISED PER ECO-12-016518	13SEP12	KH	DR



SECTION A-A

- △1 ASTERISK \* FOR PHOS BRONZE ITEMS ONLY.
- △2 TAPE-MOUNTED VERSION OF 165536-1
- △3 BODY - BRASS PER ASTM B36  
SLEEVE - COPPER PER ASTM B152  
INSULATION - NYLON
- △4 BODY - TIN PLATE PER ASTM B545  
SLEEVE - TIN PLATE PER ASTM B545  
INSULATION - COLOR - BLUE
- 5 90°C MAX OPERATING TEMP
- 6 300 VOLT MAX
- 7 NOTE DELETED.

△2	TIN PLATED	BRASS	2-165536-2
	TIN PLATED	PHOS BRONZE △1	165536-2
	TIN PLATED	BRASS	165536-1
	FINISH	MATERIAL	PART No.

THIS DRAWING IS A CONTROLLED DOCUMENT.		DWN jr_ruth 15JAN07	 <b>TE Connectivity</b>		
DIMENSIONS: mm [INCHES]		CHK T MICHELUTTI 15JAN07			
TOLERANCES UNLESS OTHERWISE SPECIFIED:		APVD T MICHELUTTI 15JAN07	PRODUCT SPEC		
0 PLC ± - 1 PLC ± - 2 PLC ± - 3 PLC ± 0.25 [.010] 4 PLC ± - ANGLES ± 5°		APPLICATION SPEC		RESTRICTED TO	
MATERIAL △3		WEIGHT -		SIZE A3	CAGE CODE 00779
FINISH △4		CUSTOMER DRAWING		DRAWING NO C-165536	REV E5
			SCALE 4:1	SHEET 1 OF 1	