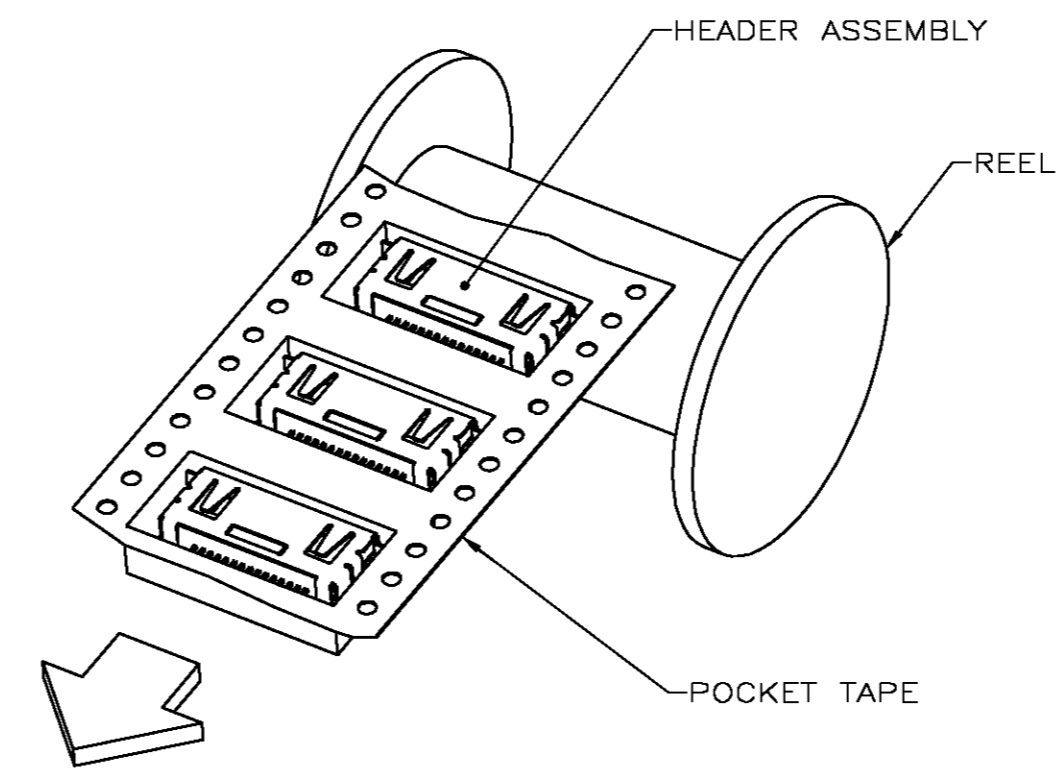
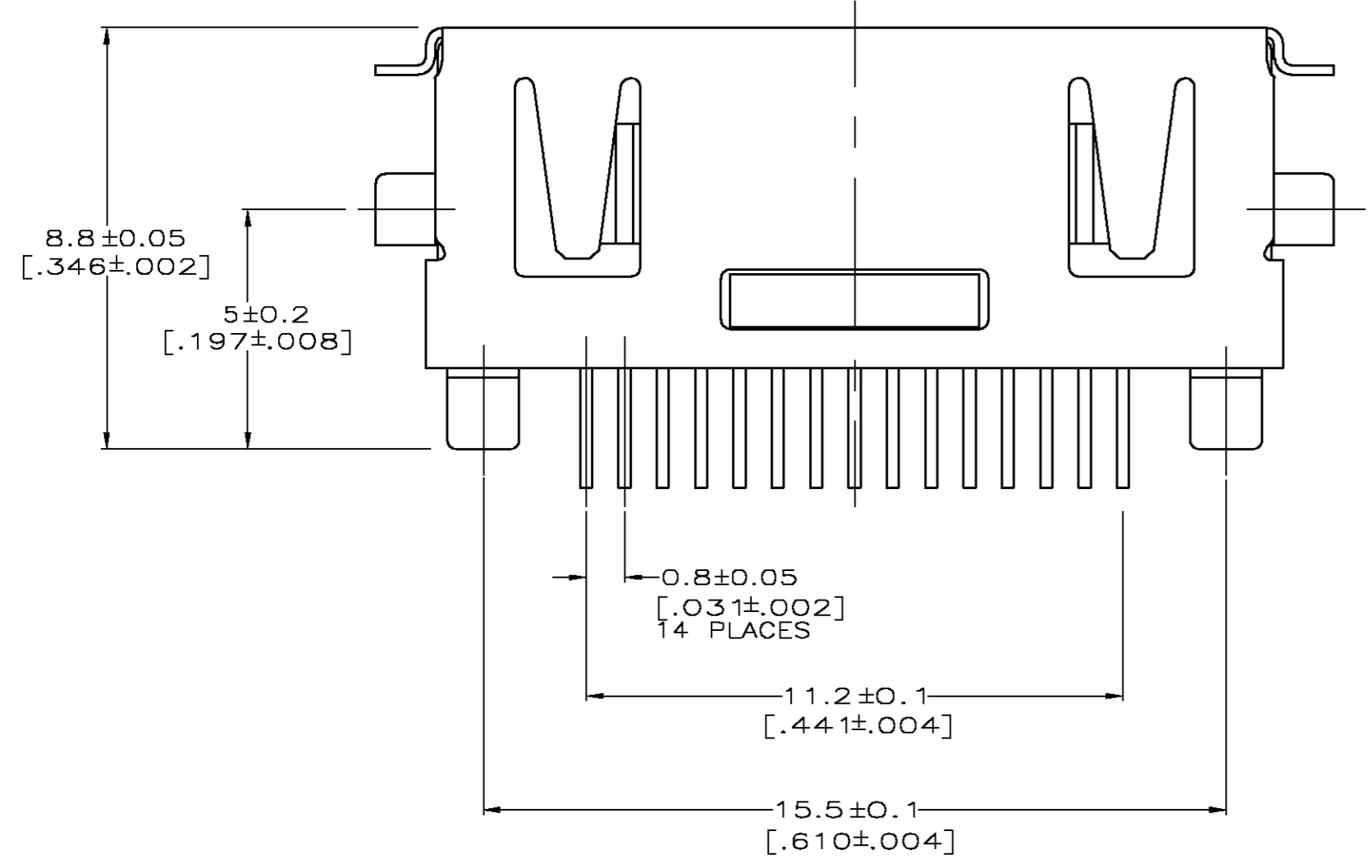
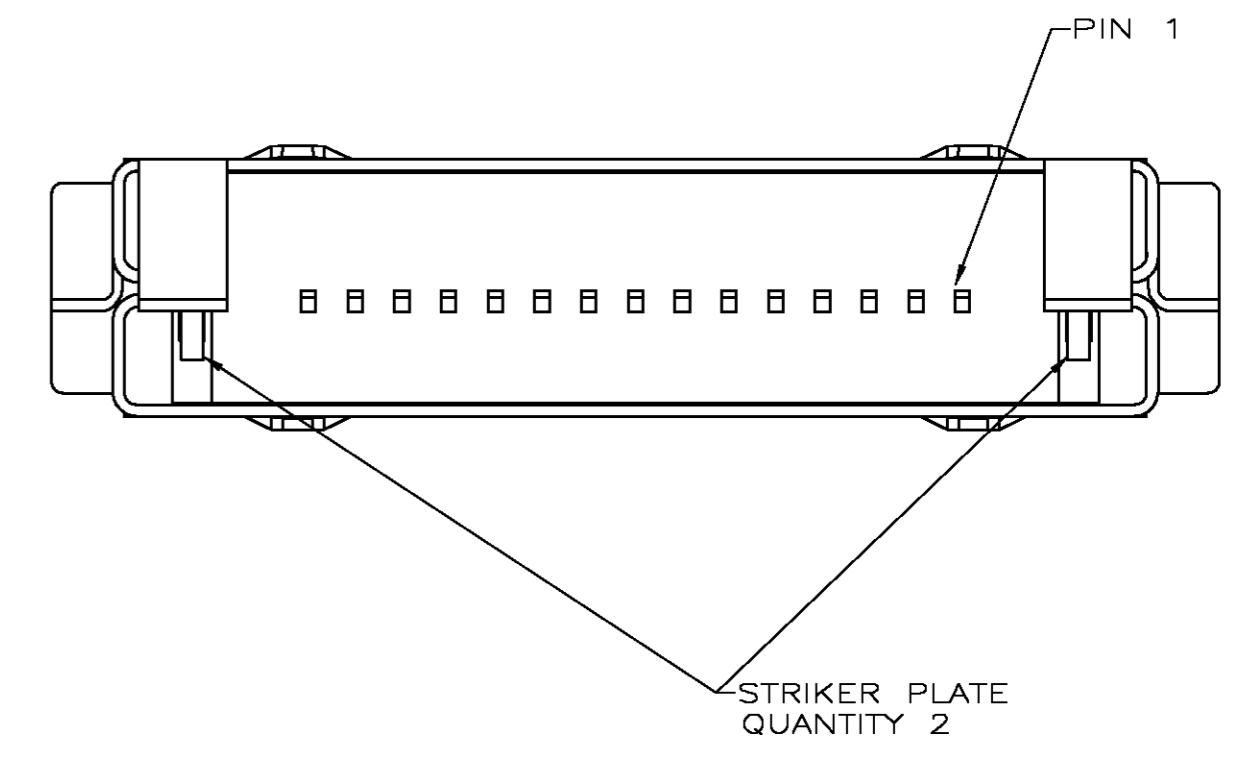
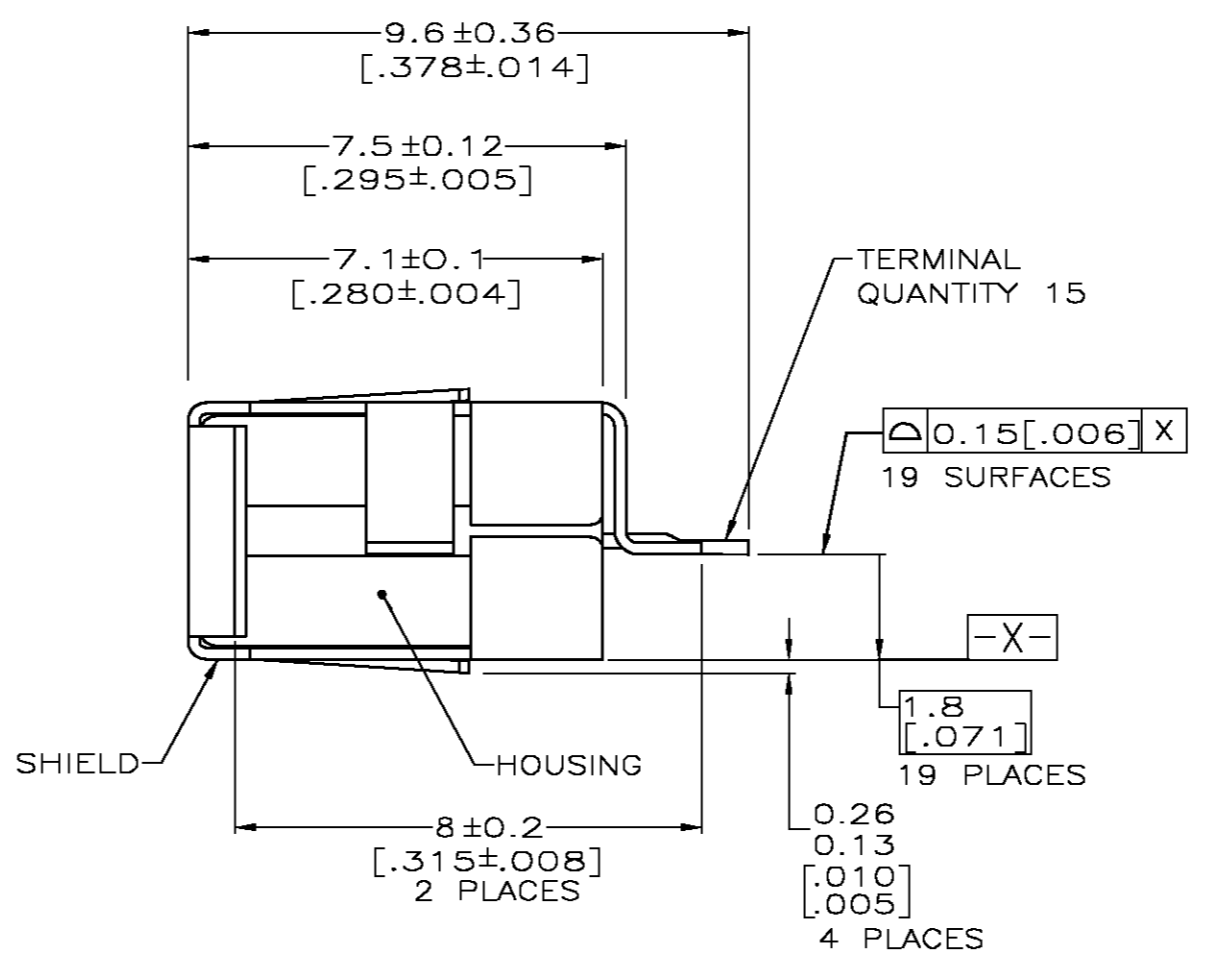
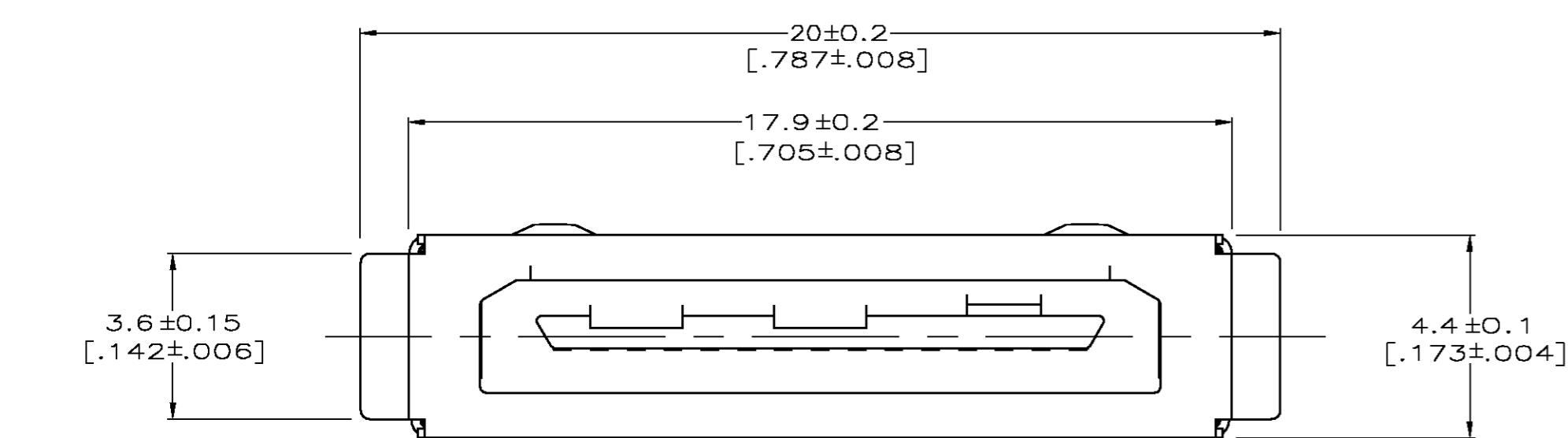


⚠ MATERIAL: HOUSING - NYLON MOLDING COMPOUND, 94V-0, GLASS FILLED, BLACK.
 TERMINALS - 0.25[.010] THICK BRASS PLATED WITH 0.254 MICRONS[.000010] MINIMUM THICK GOLD OVER 1.016 MICRONS [.000040] MINIMUM THICK PALADIUM NICKEL OVER 0.05 MICRONS[.000002] MINIMUM THICK GOLD IN CONTACT AREAS AND 3.8 MICRONS[.000150] MINIMUM THICK TIN ON SOLDER TINES OVER 2.54 MICRONS[.000100] MINIMUM THICK NICKEL UNDERPLATE.
 SHIELD - STAINLESS STEEL, TIN PLATED
 STRIKER PLATE - STAINLESS STEEL.

2. PACKAGED IN TAPE AND REEL.



KEYING OPTION	PART NUMBER
KEY 5-15	5-5558556-5
KEY 4-15	5-5558556-4
KEY 3-15	5-5558556-3
KEY 2-15	5-5558556-2
KEY 1-15	5-5558556-1

THIS DRAWING IS A CONTROLLED DOCUMENT.

OWN: B. McMASTER	23JUN05	Tyco Electronics Corporation Harrisburg, Pa 17105-3608
CHK: D. GORENC	23JUN05	
APVD: W. WALMSLEY	23JUN05	NAME: W. WALMSLEY
PRODUCT SPEC: -		APPLICATION SPEC: -
SIZE: -		SCALE: 10:1
WEIGHT: -		SHEET: 1 OF 2
CUSTOMER DRAWING		REV: 0

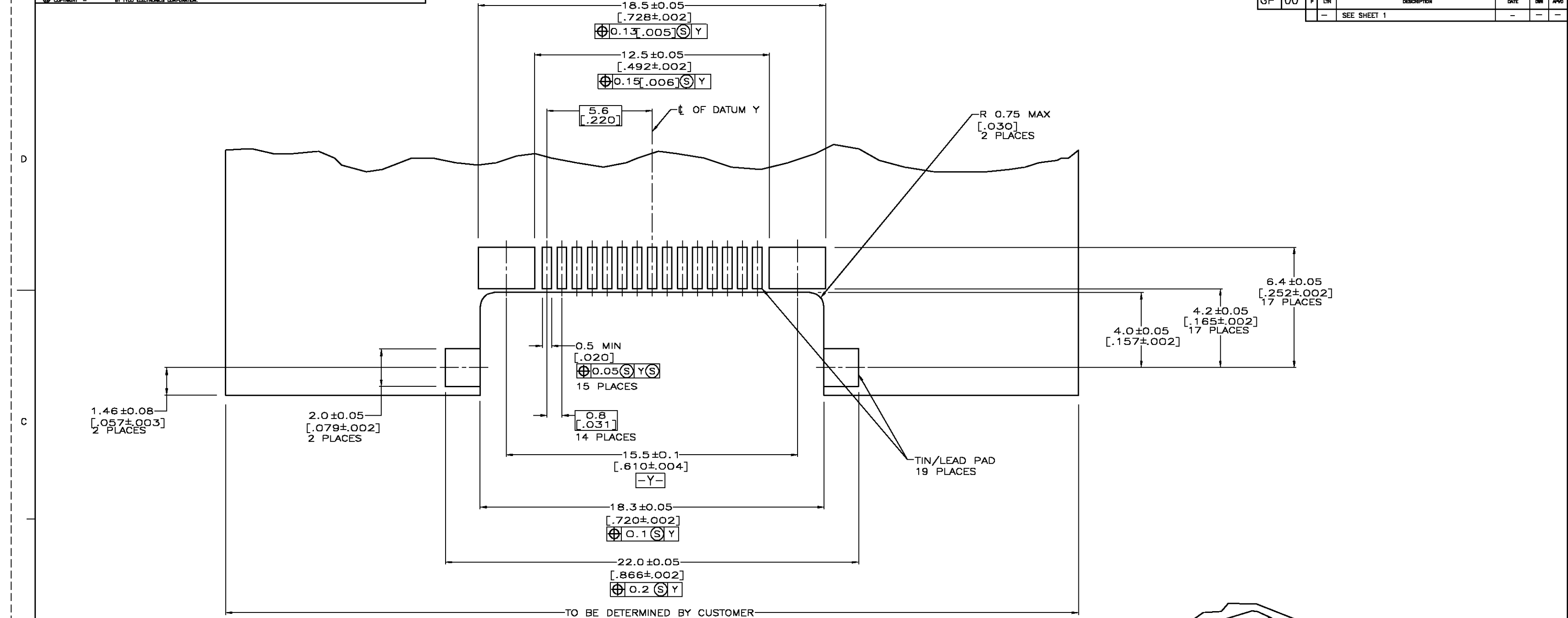
DIMENSIONS: mm [INCHES]

TOLERANCES UNLESS OTHERWISE SPECIFIED:	PLC	FINISH
0 PLC	±	-
1 PLC	±	-
2 PLC	±	-
3 PLC	±	-
4 PLC	±	-
ANGLES	±	-

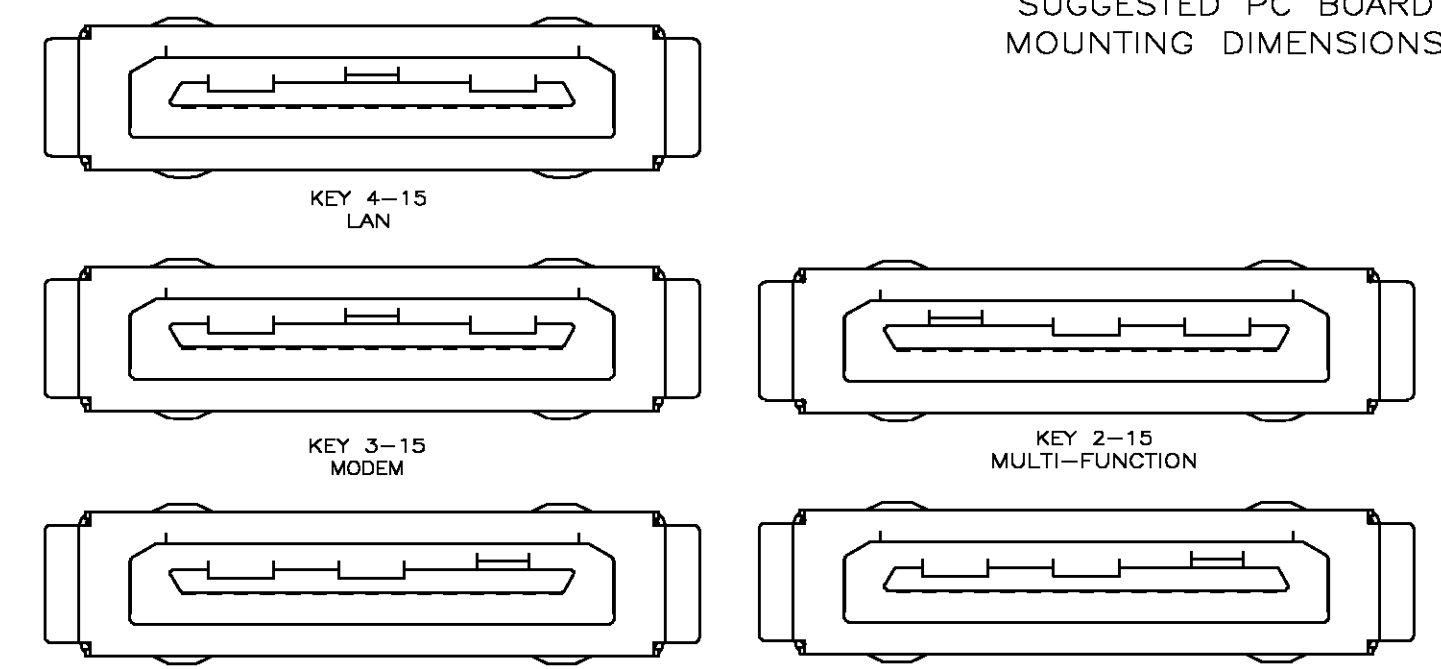
MATERIAL: 1

REVISION: OBSOLETE - Not the BEST REVISION

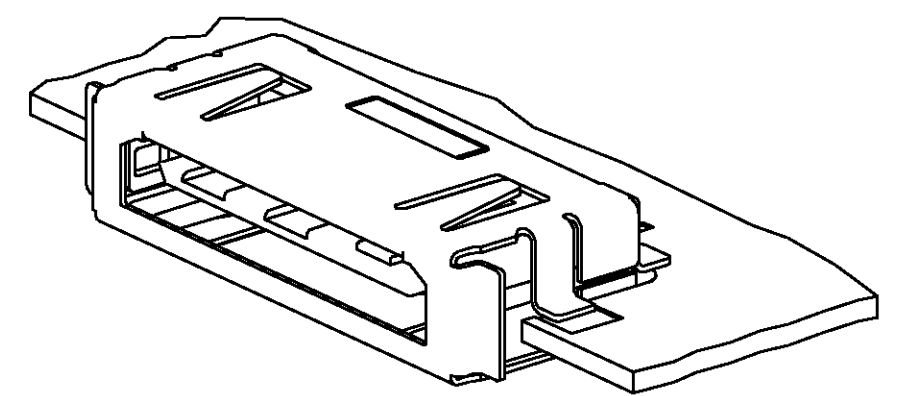
LOC	REV	DESCRIPTION	DATE	BY	APP
GP	00	SEE SHEET 1			



SUGGESTED PC BOARD MOUNTING DIMENSIONS



KEYING OPTIONS SCALE 8:1



THIS DRAWING IS A CONTROLLED DOCUMENT.		DATE	REV	BY	APP	Tyco Electronics Corporation Harrisburg, Pa 17105-3808	
DIMENSIONS: mm (INCHES)		DATE	REV	BY	APP	Tyco Electronics Corporation Harrisburg, Pa 17105-3808	
MATERIAL		DATE	REV	BY	APP	Tyco Electronics Corporation Harrisburg, Pa 17105-3808	
FINISH		DATE	REV	BY	APP	Tyco Electronics Corporation Harrisburg, Pa 17105-3808	
CUSTOMER DRAWING		DATE	REV	BY	APP	Tyco Electronics Corporation Harrisburg, Pa 17105-3808	
SCALE		DATE	REV	BY	APP	Tyco Electronics Corporation Harrisburg, Pa 17105-3808	
SHEET		DATE	REV	BY	APP	Tyco Electronics Corporation Harrisburg, Pa 17105-3808	
REV		DATE	REV	BY	APP	Tyco Electronics Corporation Harrisburg, Pa 17105-3808	