

# TU-12P1N8ATUDU - Cable connector



1605955

<https://www.phoenixcontact.com/us/products/1605955>

Please be informed that the data shown in this PDF document is generated from our online catalog. Please find the complete data in the user documentation. Our general terms of use for downloads are valid.



M23, Cable connector, series: TU, angled, shielded: yes, Bayonet locking, No. of pos.: 12, Direction of rotation: Standard, contact connection type: Pin, Crimp connection, cable diameter range: 2 mm ... 14.5 mm, coding: N

## Commercial data

Item number	1605955
Packing unit	1 pc
Minimum order quantity	8 pc
Sales key	AB31
Product key	ABRAHC
GTIN	4046356256124
Weight per piece (including packing)	176.54 g
Weight per piece (excluding packing)	166.34 g
Customs tariff number	85366990
Country of origin	DE

# TU-12P1N8ATUDU - Cable connector



1605955

<https://www.phoenixcontact.com/us/products/1605955>

## Technical data

### Product properties

Product type	Circular connector (cable-side)
--------------	---------------------------------

### Connector

#### Insulating body

Note	Order information: Order crimp contacts Ø 1 mm separately
Coding	N
Connection method	Crimp connection
Contact switching type	Pin
Application	Signal
Number of positions	12
Direction of rotation	Standard
Connection profile	12
Contact diameter <b>Power contacts</b>	1 mm
Rated current <b>Power contacts</b>	8 A
Rated voltage	48 V AC
	74 V DC
Rated surge voltage	1.5 kV
Overvoltage category	III
Degree of pollution	3

#### Housing

Housing material	Metal
Type of locking	Bayonet locking
Pg screw connection	none
Degree of protection (plugged in)	IP67
Thread type	M23

#### Seal

External cable diameter	2 mm ... 14.5 mm
Seal material	NBR

# TU-12P1N8ATUDU - Cable connector

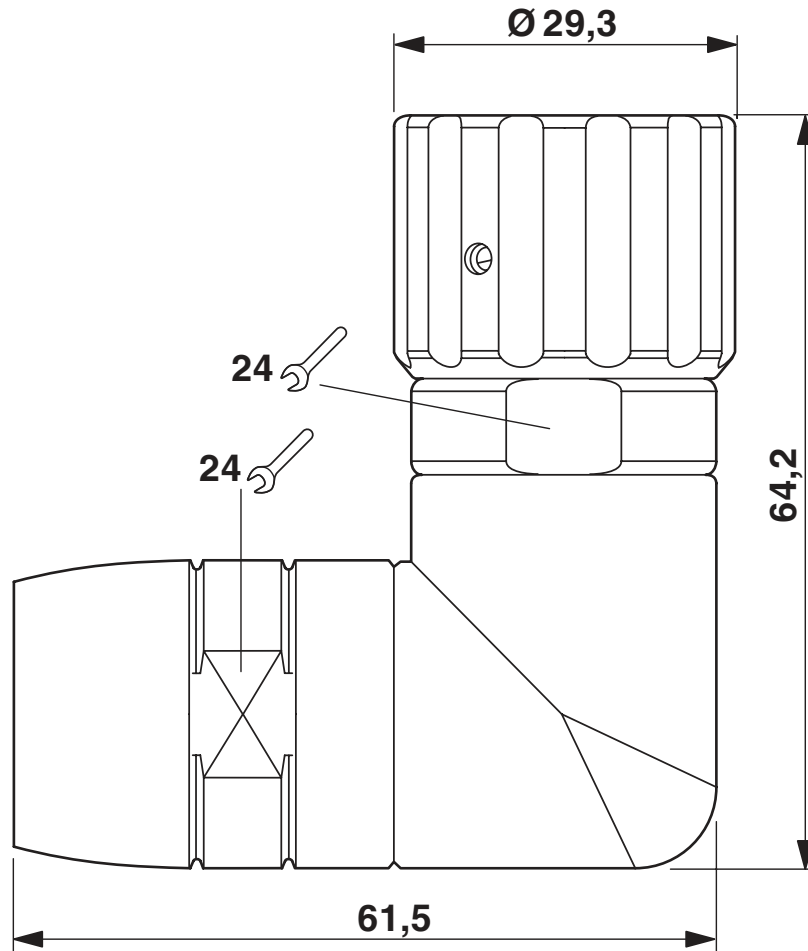
1605955

<https://www.phoenixcontact.com/us/products/1605955>



## Drawings

Dimensional drawing



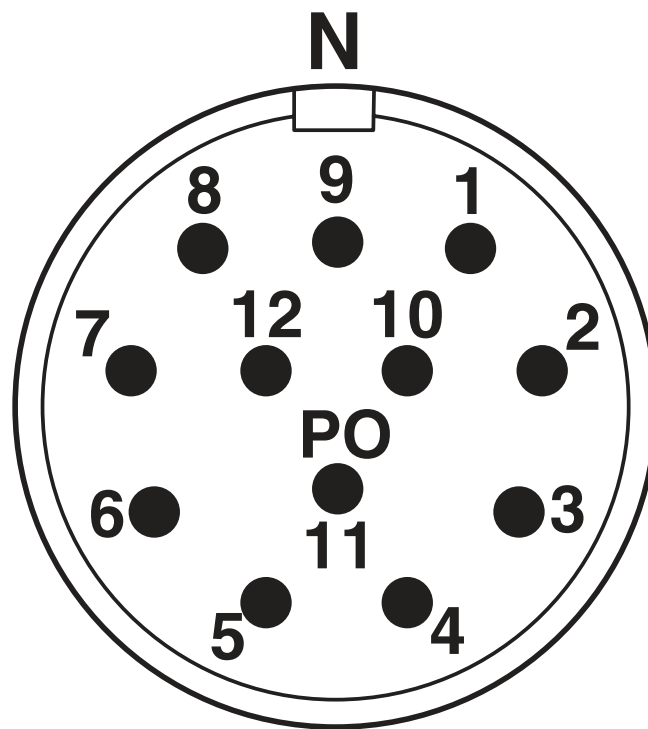
# TU-12P1N8ATUDU - Cable connector

1605955

<https://www.phoenixcontact.com/us/products/1605955>



Schematic diagram



# TU-12P1N8ATUDU - Cable connector



1605955

<https://www.phoenixcontact.com/us/products/1605955>

## Approvals

To download certificates, visit the product detail page: <https://www.phoenixcontact.com/us/products/1605955>



**EAC**

Approval ID: B.01687

# TU-12P1N8ATUDU - Cable connector



1605955

<https://www.phoenixcontact.com/us/products/1605955>

## Classifications

### ECLASS

ECLASS-11.0	27440102
ECLASS-12.0	27440116
ECLASS-13.0	27440116

### ETIM

ETIM 8.0	EC002635
----------	----------

### UNSPSC

UNSPSC 21.0	39121400
-------------	----------

# TU-12P1N8ATUDU - Cable connector



1605955

<https://www.phoenixcontact.com/us/products/1605955>

## Environmental product compliance

REACH SVHC	Lead 7439-92-1
China RoHS	Environmentally Friendly Use Period = 50 years
	For information on hazardous substances, refer to the manufacturer's declaration available under "Downloads"

Phoenix Contact 2023 © - all rights reserved

<https://www.phoenixcontact.com>

Phoenix Contact USA  
586 Fulling Mill Road  
Middletown, PA 17057, United States  
(+717) 944-1300  
[info@phoenixcon.com](mailto:info@phoenixcon.com)