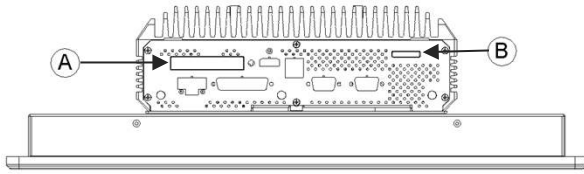




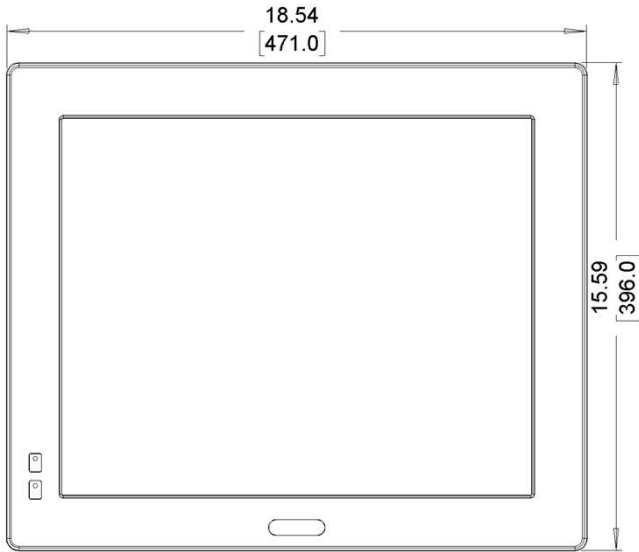
## 19" Fanless Industrial Panel PC with Intel® Core™ i3-7101TE/i5-7500T/i7-7700T Processor

- Choose Your Intel® Processor, Memory, and Storage
- Windows® 10 IoT Enterprise OS Standard
- Wi-Fi Option Available
- Panel or VESA mount
- Integrate with Indusoft's Web Studio®

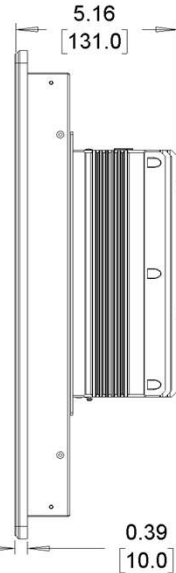
System	<b>CPU</b>	Intel® Dual Core™ : i3-7101TE @ 3.4GHz Intel® Quad Core™ : i5-7500T @ 2.7GHz i7-7700T @ 2.9GHz
	<b>System Chipset</b>	Intel Q170 Chipset
	<b>System Memory Options</b>	2 x DDR4 260-pin SO-DIMM Non-ECC RAM slots (8, 16, 32 GB total)
I/O Ports	<b>USB</b>	4 x USB 3.0 type A
	<b>Serial</b>	2 x RS-232/422/485 DE-9P, COM1/COM2 (default RS-232) 2 x RS-232 DE-9P, COM3/COM4
	<b>Audio</b>	1 x 3.5 mm Line-in 1 x 3.5 mm Line-out 1 x 3.5 mm Mic-in
	<b>Digital I/O</b>	1x DB25S, 8 in/8 out
	<b>LAN</b>	2 x GbE RJ-45
	<b>Display Interface</b>	1 x DVI-I port (max. 1920 x 1080 pixels)
	<b>Power</b>	3-pin connector header, DC power input
	<b>Power Switch</b>	Momentary Toggle
	<b>Remote Power Switch*</b>	2-pin wire-to-wire connector (2.5mm pitch)
	<b>Solid State Drive Options**</b>	1 x 2.5" SATA III, MLC (64, 128, 256, 512 GB SSD)
Storage	<b>SD Card Slot</b>	N/A
	<b>CFast Card Slot</b>	Yes
Expansion	<b>Internal Expansion</b>	Optional Wi-Fi kit (Wi-Fi card and antenna)
	<b>Expansion Slot</b>	N/A
Touch Screen	<b>Type</b>	5-Wire Resistive Touch
	<b>Interface</b>	USB
Display	<b>Display Type</b>	19" TFT SXGA LCD
	<b>Size (W x H)</b>	15.0 x 12.0 inches [381.0 x 304.9 mm]
	<b>Resolution (pixels)</b>	1280 x 1024
	<b>Max. Colors</b>	16.7M
	<b>Luminance (cd/m<sup>2</sup>)</b>	400
	<b>Viewing Angle (H°/V°)</b>	160/160
	<b>Contrast Ratio</b>	600:1
<b>Backlight Lifetime (Hours)</b>	50,000	
Electrical	<b>Input Voltage</b>	9~36 VDC
	<b>Input Current</b>	Typ. 1.71A @ 24VDC; Max 6.25A @ 24VDC
	<b>Input Power</b>	Typ. 41 W; Max. 150 W
Mechanical	<b>Dimensions (W x H x D)</b>	18.54 x 15.59 x 5.16 inches [471 x 396 x 131mm]
	<b>Net Weight</b>	Approx. 19.62 lbs. [8.9kg]
	<b>Panel Cutout Dimensions (W x H)</b>	17.20 x 14.25 inches [437 x 362 mm]
	<b>Mounting</b>	Panel mounting, VESA 100 x 100
Environmental	<b>Construction</b>	Black Steel Chassis, Aluminum Heatsink
	<b>Operating Temperature</b>	32~113°F [0~45°C]
	<b>Storage Temperature</b>	-4~176°F [-20~80°C]
	<b>Relative Humidity</b>	20 to 90% @ 40°C, non-condensing
Operating System	<b>Rating</b>	NEMA4, IP65 compliant front panel
	<b>Certifications</b>	CE / FCC Class A / RoHS
	<b>Microsoft Windows Options</b>	Microsoft Windows® 10 IoT Enterprise Embedded 2019 LTSC 64-bit (EPKEA) Microsoft Windows® 10 IoT Enterprise 2019 LTSC 64-bit (PKEA)
Notes	<p>* Maple Systems offers a 6' remote power switch cable (P/N: 7431-0127); contact Maple Systems to purchase.  ** Additional SSD options available; contact Maple Systems for details.</p>	
Specifications subject to change without notice.		



Top View

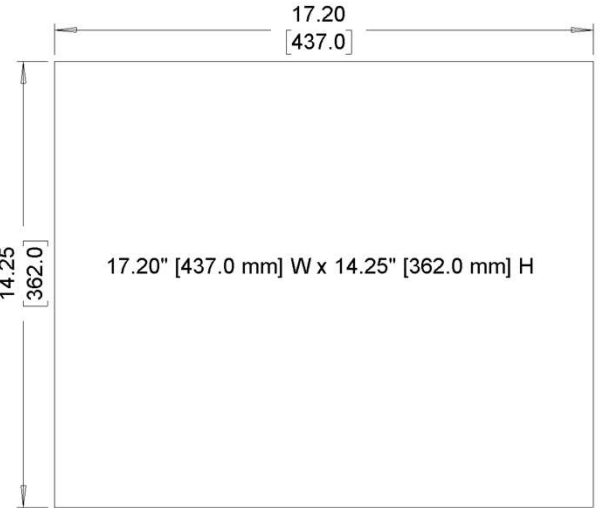


Front View



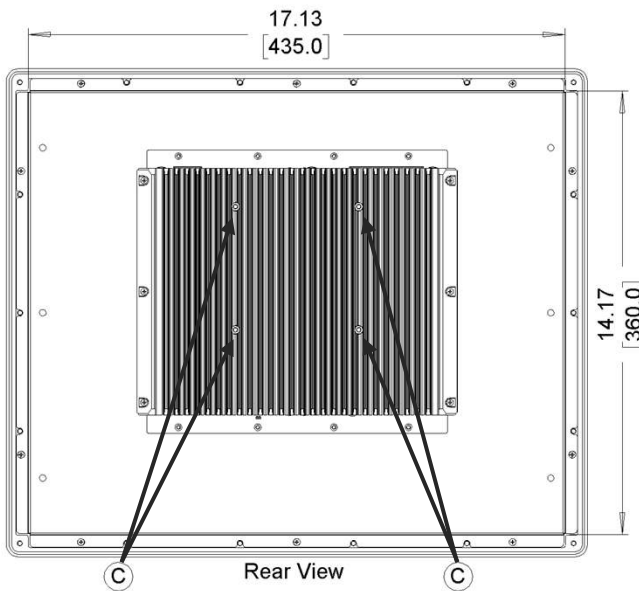
Side View

Dimensions are in inches [mm]

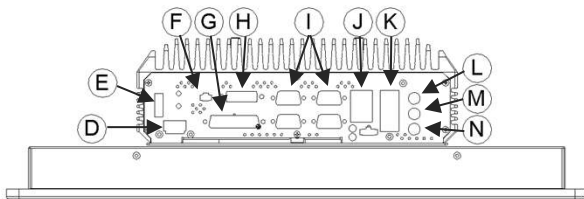


17.20" [437.0 mm] W x 14.25" [362.0 mm] H

Cutout Dimensions



Rear View



Bottom view

- |   |                               |   |                        |
|---|-------------------------------|---|------------------------|
| A | CFast Card Slot               | H | DVI-I Output Port      |
| B | SIM Card Slot                 | I | COM Ports DE9P         |
| C | VESA 100mm Screw Holes        | J | Gigabit Ethernet Ports |
| D | Power Connector               | K | USB 3.0 Host Ports     |
| E | Power Switch                  | L | 3.5mm Mic-In Port      |
| F | Remote Power Switch Connector | M | 3.5mm Line-Out Port    |
| G | Digital I/O Port DB25S        | N | 3.5mm Line-In Port     |