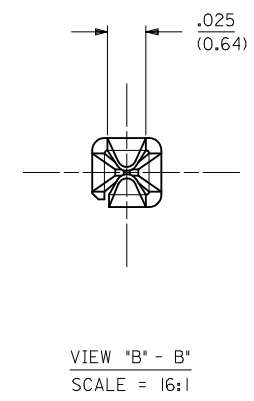
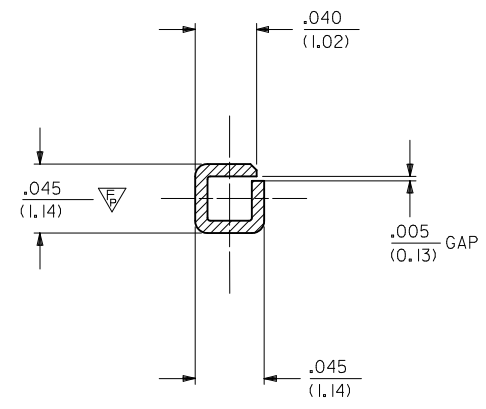


- NOTES:
- MATERIAL: PHOSPHOR BRONZE ALLOY C52100
 - FINISH:
 - (A) - SELECTIVE GOLD PLATE .000030/(0.00076)MIN., AND SELECTIVE TIN .000100/(0.00254) OVER .000050/(0.00127) NICKEL OVERALL.
 - (B) - .000100/(0.00254) TIN OVER .000050/(0.00127) NICKEL.
 - PRODUCT SPECIFICATION: TBD.
 - PACKAGING INFORMATION: SEE SHEET 2 FOR CHAIN PK-5556-003 FOR LOOSE TERMINALS
 - FOR USE WITH ASSEMBLY NO. A-30490-0001.
- MEASURING POINT FOR PLATING THICKNESS.
 - 7-TERMINAL CANNOT BE USED IN 42475 OR 43558 HOUSINGS.
 - GOLD PLATING AREA.
 - TIN PLATING AREA.



30490-9902	B	CHAIN	RIGHT TO LEFT (SEE SHT. 2)	4000	18-24
30490-9802	A	CHAIN	RIGHT TO LEFT (SEE SHT. 2)	4000	18-24
30490-2012	B	LOOSE	LEFT TO RIGHT (SEE SHT. 2)	4000	18-24
30490-1012	A	LOOSE	LEFT TO RIGHT (SEE SHT. 2)	4000	18-24
30490-1002	A	CHAIN	LEFT TO RIGHT (SEE SHT. 2)	4000	18-24
ITEM NO.	PLATING	FORM	UNREEL DIRECTION	QTY. PER REEL	WIRE GAGE REF.
AFTER PLATING					

CORRECTED NOTE 4
 EC NO: UAU2011-0264
 DRWING: JAGUILAR 2010/09/30
 CHKD: MKNACK
 APPR: MKNACK 2011/01/28

QUALITY SYMBOLS
 = 0
 = 0
 = 2

GENERAL TOLERANCES (UNLESS SPECIFIED)

	mm	INCH
4 PLACES	± .010	± .0004
3 PLACES	± .015	± .0006
2 PLACES	± 0.25	± .010
1 PLACE	± 0.38	± .015

ANGULAR ± 5°

DRAFT WHERE APPLICABLE MUST REMAIN WITHIN DIMENSIONS

DIMENSION STYLE: IN/MM

SCALE: 8:1

DESIGN UNITS: INCH

THIRD ANGLE PROJECTION

DRAWN BY: BBW DATE: 92/ 1/22

CHECKED BY: DATE:

APPROVED BY: MKNACK DATE: 2011/01/28

MATERIAL NO. SEE CHART

DOCUMENT NO. SD-30490-***2

SHEET NO. 1 OF 2

THIS DRAWING CONTAINS INFORMATION THAT IS PROPRIETARY TO MOLEX INCORPORATED AND SHOULD NOT BE USED WITHOUT WRITTEN PERMISSION

13

12

11

10

9

8

7

6

30490

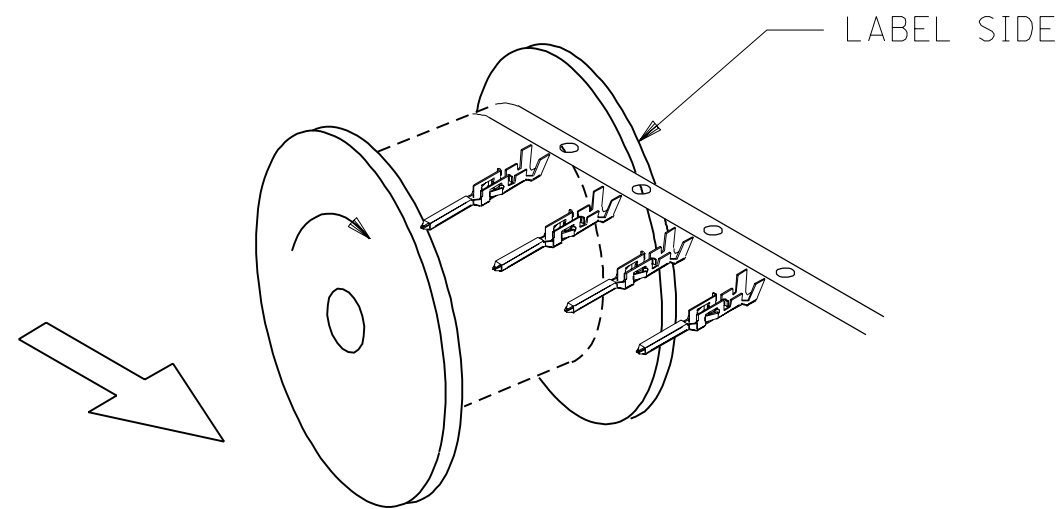
4

3

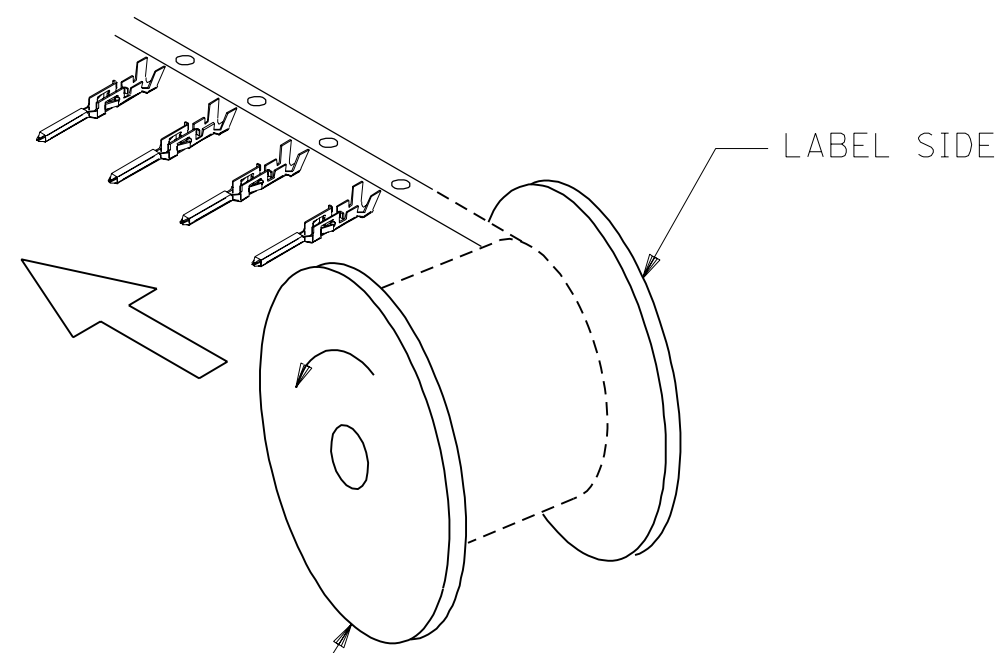
2

1

LEFT TO RIGHT
UNREELING



RIGHT TO LEFT
UNREELING



RED FLANGE NO. 70180-0659
 EDP NO. 85-06-0002
 FOR (RED) 3 REEL CARTON
 PART NO. 70180-0479
 EDP NO. 85-01-0479

THIS IS SPECIAL PACKAGING -
 ALL NON-AIRBAG CUSTOMERS
 WILL USE STANDARD PACKAGING

30490

C	SEE SHEET 1
	PDC 94/12/09

MFG.	SH.	REV.	LTR.	REVISIONS
------	-----	------	------	-----------

▽ = 0 ▼ = 0 REVISE ONLY ON CAD SYSTEM

DIMENSIONS SHOWN (METRIC) INCH
 UNLESS OTHERWISE SPECIFIED
 TOLERANCES: ANGULAR ± 1/2°

	INCH	METRIC
3 PLACE	± .005	---
2 PLACE	± .01	± 0.13
1 PLACE	---	± 0.25

DRAFT WHERE APPLICABLE MUST
 REMAIN WITHIN DIMENSIONS

TITLE
**CRIMP TERMINAL
 MINI-FIT STYLE**

MOLEX INCORPORATED SHEET NO. DATE
 LISLE, ILL. 60532 U.S.A. 2 92/1/22

PART NO. DRWG. NO.
30490-*2 SD-30490-***2**

DRWG. BY: BBW CHK'D. BY:
 APP'D. BY: SCALE: :

FILE NAME: ST304902.DGN THIS DRAWING CONTAINS INFORMATION THAT IS PROPRIETARY TO MOLEX INC. AND SHOULD NOT BE USED WITHOUT WRITTEN PERMISSION. DIV. A SIZE C

13

12

11

10

9

8

7

6

5

4

3

2

I NO P.S.