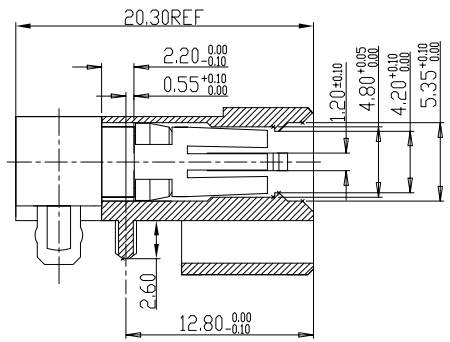
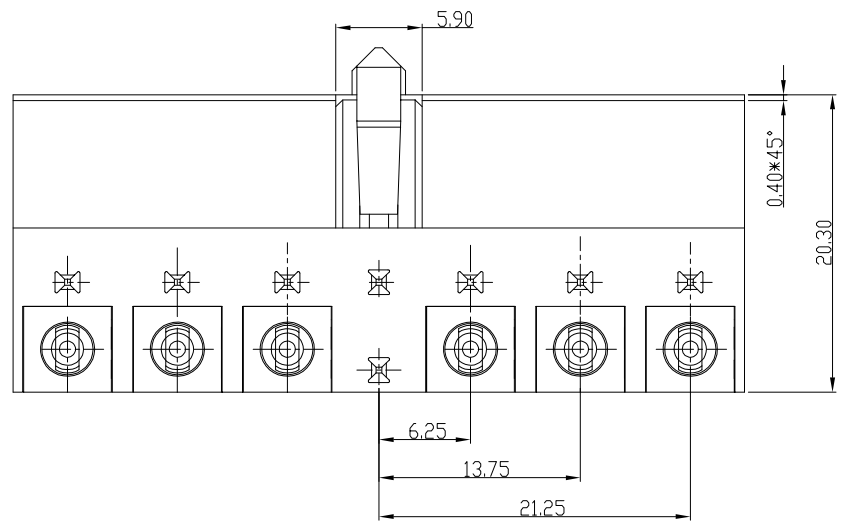
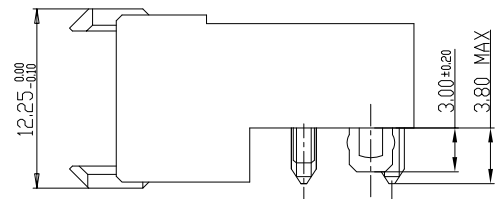
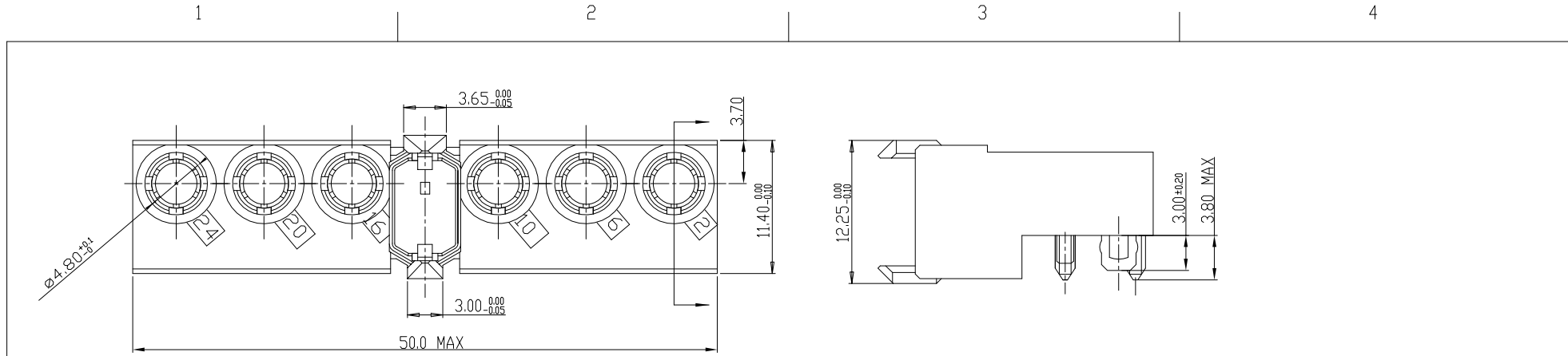


Tous droits strictement reserves. Reproduction ou communication a des tiers interdite sous quelque forme que ce soit sans autorisation ecrite du propriétaire. Propriete de c FCI. Droits de reproduction FCI.



All rights strictly reserved. Reproduction or issue to third parties in any form whatever is not permitted without written authority from the proprietor. Property of FCI. Copyright FCI.

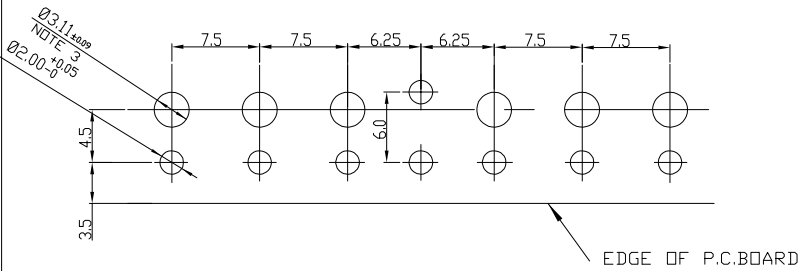


- NOTES: 1. THIS PRODUCT IS CSA APPROVED.
 THIS PRODUCT IS UL RECOGNIZED.
 2. FOR PRE-ASSEMBLED POWER PRESS-FIT CONTACT
 DETAIL, SEE DRAW.NR.: BS,A ,201624,020
 3. PCB HOLE DEFINITION:

Ø drilled hole	Cu plating	SnPb plating	Ø finished hole after reflow
3.19 - 3.25	25 um min.	5 um min.	3.02 - 3.20

4. PLATING: 1.5um Au over 2.0um Ni
 5. ALLOWED PCB THICKNESS: MIN. 1.6 MM.
 6. THIS PRODUCT (LF) MEETS EUROPEAN UNION DIRECTIVES AND OTHER
 COUNTRY REGULATIONS AS DESCRIBED IN GS-22-008

LAY-OUT
P.C.B.- HOLE



rev	ecn no	dr	date
A	CONVERSION REVISION 01	KN	16-02-04
B	DG05-0381	Kasor	10-10-05

Material		Spec ref		
Mat code	Heatreat	✓	tolerance	projection
Plating/Finish	Dr M.Fret		1DEC±0.2 1DEC 2DEC ± 0.10 2DEC ANGLES±1°HOEKEN	MM
Eng	19-02-98	Product family	size	Scale
Chr		MILLIPICS	A4	1.500
Appr		Model Name	ECN	
		Model Revision	REL Level	
title		MILLIPACS 2/TYPE L/PRE-ASS.CONN.	dwg no	Rev.
Pro/E file	catalog no	HM2E30PH5000LF	BS,C ,202444,001	B
		CUSTOMER	sheet 1 of 1	