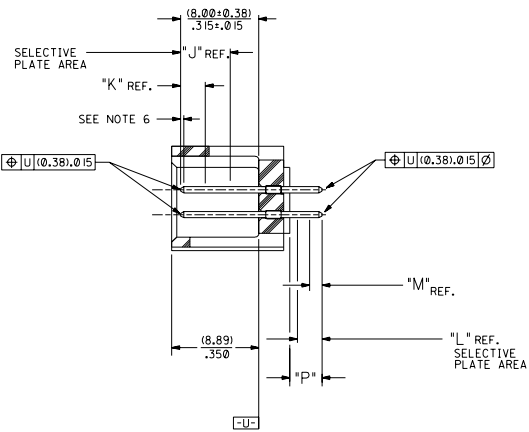
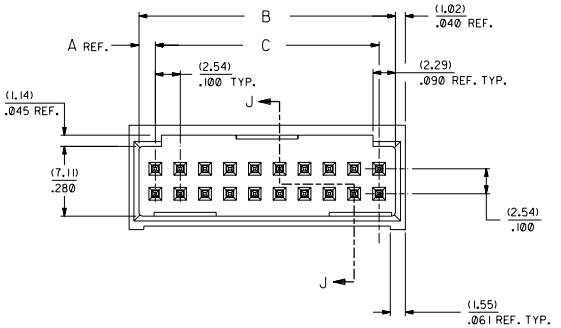
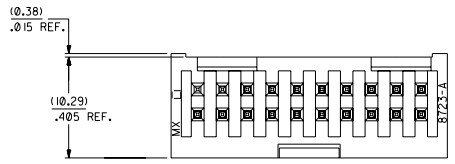
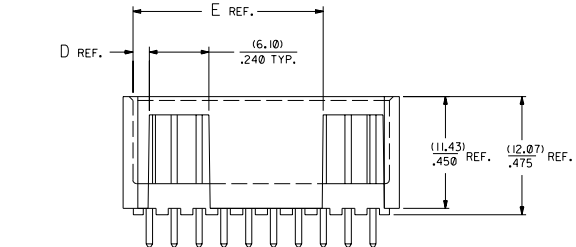


RECOMMENDED P.C. BOARD HOLE LAYOUT



SECTION J-J



NOTES:

- 1- 20 CIRCUIT SIZE SHOWN FOR ILLUSTRATION PURPOSES.
- 2- PIN PUSHOUT FORCE: (17.79 N) 1/4 LBS.
- 3- PINS MUST MEET SOLDERABILITY SPEC. MIL-STD-202 METHOD 208B.
- 4- WINDOW NOT AVAILABLE ON 6 AND 8 CIRCUIT SIZE.
- 5- FOR CHARTED DIMENSIONS AND ASSEMBLY NO.S NOT SHOWN ON THIS SHEET - SEE SHEET 2.
- 6- ROW TO ROW PIN HEIGHT VARIATION MUST NOT EXCEED (0.13) ±.005 IN.
- 7- PRODUCT CONFORMS TO PS-8723.

C.T.	8723					
	DIM. "A"	DIM. "B"	DIM. "C"	DIM. "D"	DIM. "E"	
06	(1.68) ±.066	(8.43) ±.332	(5.08) ±.200	(1.68) ±.066		
08	(1.68) ±.066	(10.97) ±.432	(7.62) ±.300	(1.68) ±.066		
10	(1.68) ±.066	(13.51) ±.532	(10.16) ±.400	(4.22) ±.166		
12	(1.68) ±.066	(16.05) ±.632	(12.70) ±.500	(4.22) ±.166		
14	(1.68) ±.066	(18.59) ±.732	(15.24) ±.600	(6.76) ±.266		
16	(1.68) ±.066	(21.13) ±.832	(17.78) ±.700	(6.76) ±.266		
18	(1.68) ±.066	(23.67) ±.932	(20.32) ±.800	(9.30) ±.366		
20	(1.68) ±.066	(26.21) ±.1032	(22.86) ±.900	(1.68) ±.066	(19.46) ±.766	
22	(1.68) ±.066	(28.75) ±.1132	(25.40) ±.1000	(1.68) ±.066	(22.00) ±.866	
24	(1.68) ±.066	(31.29) ±.1232	(27.94) ±.1100	(1.68) ±.066	(24.54) ±.966	
26	(1.68) ±.066	(33.83) ±.1332	(30.48) ±.1200	(1.68) ±.066	(27.08) ±.1066	
28	(1.68) ±.066	(36.37) ±.1432	(33.02) ±.1300	(1.68) ±.066	(29.62) ±.1166	
30	(1.68) ±.066	(38.91) ±.1532	(35.56) ±.1400	(1.68) ±.066	(32.16) ±.1266	
32	(1.68) ±.066	(41.45) ±.1632	(38.10) ±.1500	(1.68) ±.066	(34.70) ±.1366	
34	(1.68) ±.066	(43.99) ±.1732	(40.64) ±.1600	(1.68) ±.066	(37.24) ±.1466	
36	(1.68) ±.066	(46.53) ±.1832	(43.18) ±.1700	(1.68) ±.066	(39.78) ±.1566	
38	(1.68) ±.066	(49.07) ±.1932	(45.72) ±.1800	(1.68) ±.066	(42.32) ±.1666	
40	(1.68) ±.066	(51.61) ±.2032	(48.26) ±.1900	(1.68) ±.066	(44.86) ±.1766	
42	(1.68) ±.066	(54.15) ±.2132	(50.80) ±.2000	(1.68) ±.066	(47.40) ±.1866	
44	(1.68) ±.066	(56.69) ±.2232	(53.34) ±.2100	(1.68) ±.066	(49.94) ±.1966	
46	(1.68) ±.066	(59.23) ±.2332	(55.88) ±.2200	(1.68) ±.066	(52.48) ±.2066	
48	(1.68) ±.066	(61.77) ±.2432	(58.42) ±.2300	(1.68) ±.066	(55.02) ±.2166	
50	(1.68) ±.066	(64.31) ±.2532	(60.96) ±.2400	(1.68) ±.066	(57.56) ±.2266	
52	(1.68) ±.066	(66.85) ±.2632	(63.50) ±.2500	(1.68) ±.066	(60.10) ±.2366	
54	(1.68) ±.066	(69.39) ±.2732	(66.04) ±.2600	(1.68) ±.066	(62.64) ±.2466	
56	(1.68) ±.066	(71.93) ±.2832	(68.58) ±.2700	(1.68) ±.066	(65.18) ±.2566	
58	(1.68) ±.066	(74.47) ±.2932	(71.12) ±.2800	(1.68) ±.066	(67.72) ±.2666	
60	(1.68) ±.066	(77.01) ±.3032	(73.66) ±.2900	(1.68) ±.066	(70.26) ±.2766	
62	(1.68) ±.066	(79.55) ±.3132	(76.20) ±.3000	(1.68) ±.066	(72.80) ±.2866	
64	(1.68) ±.066	(82.09) ±.3232	(78.74) ±.3100	(1.68) ±.066	(75.34) ±.2966	
66	(1.68) ±.066	(84.63) ±.3332	(81.28) ±.3200	(1.68) ±.066	(77.88) ±.3066	
68	(1.68) ±.066	(87.17) ±.3432	(83.82) ±.3300	(1.68) ±.066	(80.42) ±.3166	
70	(1.68) ±.066	(89.71) ±.3532	(86.36) ±.3400	(1.68) ±.066	(82.96) ±.3266	
72	(1.68) ±.066	(92.25) ±.3632	(88.90) ±.3500	(1.68) ±.066	(85.50) ±.3366	

MATERIAL:

SHROUDED WAFER: GLASS FILLED POLYESTER, 94V-0; COLOR: BLACK.
 PINS: PHOSPHOR BRONZE,
 SEE SHEET 2 FOR FINISHES.

ASSEMBLY STYLE "A" AND "B"

DIMENSIONS SHOWN METRIC INCH		REVISE ONLY ON CAD SYSTEM
TITLE SALES ASSEMBLY		
WAFER - STRAIGHT MT. FULLY SHROUDED		
.100 GRID - FOR USE W/ .025 SQ. PINS		
WITH .066 END WALLS		
MFG. SH. REV.	LTR.	REVISIONS
7 U	6 T	
6 T	5 R2	
5 R2	4 T	
4 T	3 R2	
3 R2	2 T	
2 T	1 U	
DATE: 11/19/07		
PART NO. 58733A1		
SCALE: 4:1		

	20	19	18	17	16	15	14	13	12	11	8723	9	8	7	6	8723	4	3	2	1	
	ENGINEERING PART NUMBER A-8723-	RELEASE FOR MANUFACTURE				P REF.	PLATING TYPE	CONNECTOR END PLATING					P.C. BOARD END PLATING			PACKAGING		PLATING:			
								TYPE	J LENGTH	K MEAS.			TYPE	L LENGTH	M MEAS.	INFORMATION PK-70873-		TIN .000150 MINIMUM TIN OVER .000050 MINIMUM NICKEL PLATE.			
	06A164 / 72A164	RFM				(3.30) .130	TIN	TIN		(2.54) .100		TIN		(1.27) .050	0018		15 GOLD .000015 MINIMUM GOLD PLATE IN SELECTED AREA .000075 MINIMUM TIN IN SELECTED AREA OVER .000050 MINIMUM NICKEL OVER-ALL.				
	06B164 / 72B164	RFM				(5.08) .200	TIN	TIN		(2.54) .100		TIN		(1.27) .050	0018		30 GOLD .000030 MINIMUM GOLD PLATE IN SELECTED AREA .000075 MINIMUM TIN IN SELECTED AREA OVER .000050 MINIMUM NICKEL OVER-ALL.				
	06A571 / 72A571	RFM				(3.30) .130	15 GOLD	GOLD	(5.08) .200	(2.54) .100		TIN	(2.54) .100	(1.27) .050	0018		50 GOLD .000050 MINIMUM GOLD PLATE IN SELECTED AREA AND .000075 MINIMUM TIN IN SELECTED AREA OVER .000050 MINIMUM NICKEL OVER-ALL.				
	06B571 / 72B571	RFM				(5.08) .200	15 GOLD	GOLD	(5.08) .200	(2.54) .100		TIN	(2.54) .100	(1.27) .050	0018						
	06A574 / 72A574	RFM				(3.30) .130	30 GOLD	GOLD	(5.08) .200	(2.54) .100		TIN	(2.54) .100	(1.27) .050	0018						
	06B574 / 72B574	RFM				(5.08) .200	30 GOLD	GOLD	(5.08) .200	(2.54) .100		TIN	(2.54) .100	(1.27) .050	0018						
	06A596 / 72A596	RFM				(3.30) .130	50 GOLD	GOLD	(5.08) .200	(2.54) .100		TIN	(2.54) .100	(1.27) .050	0018						
	06B596 / 72B596	RFM				(5.08) .200	50 GOLD	GOLD	(5.08) .200	(2.54) .100		TIN	(2.54) .100	(1.27) .050	0018						

NO. OF CKTS	TIN		TIN		15 GOLD		15 GOLD		30 GOLD		30 GOLD		50 GOLD		50 GOLD		EDP NUMBER	ENG NUMBER	EDP NUMBER	ENG NUMBER
	EDP NUMBER	ENG NUMBER	EDP NUMBER	ENG NUMBER	EDP NUMBER	ENG NUMBER	EDP NUMBER	ENG NUMBER	EDP NUMBER	ENG NUMBER	EDP NUMBER	ENG NUMBER	EDP NUMBER	ENG NUMBER						
06	15-42-6006	A-8723-06A164	15-42-6106	A-8723-06B164	15-29-6006	A-8723-06A571	15-29-6106	A-8723-06B571	15-41-7006	A-8723-06A574	15-41-7106	A-8723-06B574	15-42-6006	A-8723-06A596	15-42-6106	A-8723-06B596	15-42-6006	A-8723-06A164	15-42-6106	A-8723-06B164
08	15-42-6008	A-8723-08A164	15-42-6108	A-8723-08B164	15-29-6008	A-8723-08A571	15-29-6108	A-8723-08B571	15-41-7008	A-8723-08A574	15-41-7108	A-8723-08B574	15-42-6008	A-8723-08A596	15-42-6108	A-8723-08B596	15-42-6008	A-8723-08A164	15-42-6108	A-8723-08B164
10	15-42-6010	A-8723-10A164	15-42-6110	A-8723-10B164	15-29-6010	A-8723-10A571	15-29-6110	A-8723-10B571	15-41-7010	A-8723-10A574	15-41-7110	A-8723-10B574	15-42-6010	A-8723-10A596	15-42-6110	A-8723-10B596	15-42-6010	A-8723-10A164	15-42-6110	A-8723-10B164
12	15-42-6012	A-8723-12A164	15-42-6112	A-8723-12B164	15-29-6012	A-8723-12A571	15-29-6112	A-8723-12B571	15-41-7012	A-8723-12A574	15-41-7112	A-8723-12B574	15-42-6012	A-8723-12A596	15-42-6112	A-8723-12B596	15-42-6012	A-8723-12A164	15-42-6112	A-8723-12B164
14	15-42-6014	A-8723-14A164	15-42-6114	A-8723-14B164	15-29-6014	A-8723-14A571	15-29-6114	A-8723-14B571	15-41-7014	A-8723-14A574	15-41-7114	A-8723-14B574	15-42-6014	A-8723-14A596	15-42-6114	A-8723-14B596	15-42-6014	A-8723-14A164	15-42-6114	A-8723-14B164
16	15-42-6016	A-8723-16A164	15-42-6116	A-8723-16B164	15-29-6016	A-8723-16A571	15-29-6116	A-8723-16B571	15-41-7016	A-8723-16A574	15-41-7116	A-8723-16B574	15-42-6016	A-8723-16A596	15-42-6116	A-8723-16B596	15-42-6016	A-8723-16A164	15-42-6116	A-8723-16B164
18	15-42-6018	A-8723-18A164	15-42-6118	A-8723-18B164	15-29-6018	A-8723-18A571	15-29-6118	A-8723-18B571	15-41-7018	A-8723-18A574	15-41-7118	A-8723-18B574	15-42-6018	A-8723-18A596	15-42-6118	A-8723-18B596	15-42-6018	A-8723-18A164	15-42-6118	A-8723-18B164
20	15-42-6020	A-8723-20A164	15-42-6120	A-8723-20B164	15-29-6020	A-8723-20A571	15-29-6120	A-8723-20B571	15-41-7020	A-8723-20A574	15-41-7120	A-8723-20B574	15-42-6020	A-8723-20A596	15-42-6120	A-8723-20B596	15-42-6020	A-8723-20A164	15-42-6120	A-8723-20B164
22	15-42-6022	A-8723-22A164	15-42-6122	A-8723-22B164	15-29-6022	A-8723-22A571	15-29-6122	A-8723-22B571	15-41-7022	A-8723-22A574	15-41-7122	A-8723-22B574	15-42-6022	A-8723-22A596	15-42-6122	A-8723-22B596	15-42-6022	A-8723-22A164	15-42-6122	A-8723-22B164
24	15-42-6024	A-8723-24A164	15-42-6124	A-8723-24B164	15-29-6024	A-8723-24A571	15-29-6124	A-8723-24B571	15-41-7024	A-8723-24A574	15-41-7124	A-8723-24B574	15-42-6024	A-8723-24A596	15-42-6124	A-8723-24B596	15-42-6024	A-8723-24A164	15-42-6124	A-8723-24B164
26	15-42-6026	A-8723-26A164	15-42-6126	A-8723-26B164	15-29-6026	A-8723-26A571	15-29-6126	A-8723-26B571	15-41-7026	A-8723-26A574	15-41-7126	A-8723-26B574	15-42-6026	A-8723-26A596	15-42-6126	A-8723-26B596	15-42-6026	A-8723-26A164	15-42-6126	A-8723-26B164
28	15-42-6028	A-8723-28A164	15-42-6128	A-8723-28B164	15-29-6028	A-8723-28A571	15-29-6128	A-8723-28B571	15-41-7028	A-8723-28A574	15-41-7128	A-8723-28B574	15-42-6028	A-8723-28A596	15-42-6128	A-8723-28B596	15-42-6028	A-8723-28A164	15-42-6128	A-8723-28B164
30	15-42-6030	A-8723-30A164	15-42-6130	A-8723-30B164	15-29-6030	A-8723-30A571	15-29-6130	A-8723-30B571	15-41-7030	A-8723-30A574	15-41-7130	A-8723-30B574	15-42-6030	A-8723-30A596	15-42-6130	A-8723-30B596	15-42-6030	A-8723-30A164	15-42-6130	A-8723-30B164
32	15-42-6032	A-8723-32A164	15-42-6132	A-8723-32B164	15-29-6032	A-8723-32A571	15-29-6132	A-8723-32B571	15-41-7032	A-8723-32A574	15-41-7132	A-8723-32B574	15-42-6032	A-8723-32A596	15-42-6132	A-8723-32B596	15-42-6032	A-8723-32A164	15-42-6132	A-8723-32B164
34	15-42-6034	A-8723-34A164	15-42-6134	A-8723-34B164	15-29-6034	A-8723-34A571	15-29-6134	A-8723-34B571	15-41-7034	A-8723-34A574	15-41-7134	A-8723-34B574	15-42-6034	A-8723-34A596	15-42-6134	A-8723-34B596	15-42-6034	A-8723-34A164	15-42-6134	A-8723-34B164
36	15-42-6036	A-8723-36A164	15-42-6136	A-8723-36B164	15-29-6036	A-8723-36A571	15-29-6136	A-8723-36B571	15-41-7036	A-8723-36A574	15-41-7136	A-8723-36B574	15-42-6036	A-8723-36A596	15-42-6136	A-8723-36B596	15-42-6036	A-8723-36A164	15-42-6136	A-8723-36B164
38	15-42-6038	A-8723-38A164	15-42-6138	A-8723-38B164	15-29-6038	A-8723-38A571	15-29-6138	A-8723-38B571	15-41-7038	A-8723-38A574	15-41-7138	A-8723-38B574	15-42-6038	A-8723-38A596	15-42-6138	A-8723-38B596	15-42-6038	A-8723-38A164	15-42-6138	A-8723-38B164
40	15-42-6040	A-8723-40A164	15-42-6140	A-8723-40B164	15-29-6040	A-8723-40A571	15-29-6140	A-8723-40B571	15-41-7040	A-8723-40A574	15-41-7140	A-8723-40B574	15-42-6040	A-8723-40A596	15-42-6140	A-8723-40B596	15-42-6040	A-8723-40A164	15-42-6140	A-8723-40B164
42	15-42-6042	A-8723-42A164	15-42-6142	A-8723-42B164	15-29-6042	A-8723-42A571	15-29-6142	A-8723-42B571	15-41-7042	A-8723-42A574	15-41-7142	A-8723-42B574	15-42-6042	A-8723-42A596	15-42-6142	A-8723-42B596	15-42-6042	A-8723-42A164	15-42-6142	A-8723-42B164
44	15-42-6044	A-8723-44A164	15-42-6144	A-8723-44B164	15-29-6044	A-8723-44A571	15-29-6144	A-8723-44B571	15-41-7044	A-8723-44A574	15-41-7144	A-8723-44B574	15-42-6044	A-8723-44A596	15-42-6144	A-8723-44B596	15-42-6044	A-8723-44A164	15-42-6144	A-8723-44B164
46	15-42-6046	A-8723-46A164	15-42-6146	A-8723-46B164	15-29-6046	A-8723-46A571	15-29-6146	A-8723-46B571	15-41-7046	A-8723-46A574	15-41-7146	A-8723-46B574	15-42-6046	A-8723-46A596	15-42-6146	A-8723-46B596	15-42-6046	A-8723-46A164	15-42-6146	A-8723-46B164
48	15-42-6048	A-8723-48A164	15-42-6148	A-8723-48B164	15-29-6048	A-8723-48A571	15-29-6148	A-8723-48B571	15-41-7048	A-8723-48A574	15-41-7148	A-8723-48B574	15-42-6048	A-8723-48A596	15-42-6148	A-8723-48B596	15-42-6048	A-8723-48A164	15-42-6148	A-8723-48B164
50	15-42-6050	A-8723-50A164	15-42-6150	A-8723-50B164	15-29-6050	A-8723-50A571	15-29-6150	A-8723-50B571	15-41-7050	A-8723-50A574	15-41-7150	A-8723-50B574	15-42-6050	A-8723-50A596	15-42-6150	A-8723-50B596	15-42-6050	A-8723-50A164	15-42-6150	A-8723-50B164
52	15-42-6052	A-8723-52A164	15-42-6152	A-8723-52B164	15-29-6052	A-8723-52A571	15-29-6152	A-8723-52B571	15-41-7052	A-8723-52A574	15-41-7152	A-8723-52B574	15-42-6052	A-8723-52A596	15-42-6152	A-8723-52B596	15-42-6052	A-8723-52A164	15-42-6152	A-8723-52B164
54	15-42-6054	A-8723-54A164	15-42-6154	A-8723-54B164	15-29-6054	A-8723-54A571	15-29-6154	A-8723-54B571	15-41-7054	A-8723-54A574	15-41-7154	A-8723-54B574	15-42-6054	A-8723-54A596	15-42-6154	A-8723-54B596	15-42-6054	A-8723-54A164	15-42-6154	A-8723-54B164
56	15-42-6056	A-8723-56A164	15-42-6156	A-8723-56B164	15-29-6056	A-8723-56A571	15-29-6156	A-8723-56B571	15-41-7056	A-8723-56A574	15-41-7156	A-8723-56B574	15-42-6056	A-8723-56A596	15-42-6156	A-8723-56B596	15-42-6056	A-8723-56A164	15-42-6156	A-8723-56B164
58	15-42-6058	A-8723-58A164	15-42-6158	A-8723-58B164	15-29-6058	A-8723-58A571	15-29-6158	A-8723-58B571	15-41-7058	A-8723-58A574	15-41-7158	A-8723-58B574	15-42-6058	A-8723-58A596	15-42-6158	A-8723-58B596	15-42-6058	A-8723-58A164	15-42-6158	A-8723-58B164
60	15-42-6060	A-8723-60A164	15-42-6160	A-8723-60B164	15-29-6060	A-8723-60A571	15-29-6160	A-8723-60B571	15-41-7060	A-8723-60A574	15-41-7160	A-8723-60B574	15-42-6060	A-8723-60A596	15-42-6160	A-8723-60B596	15-42-6060	A-8723-60A164	15-42-6160	A-8723-60B1