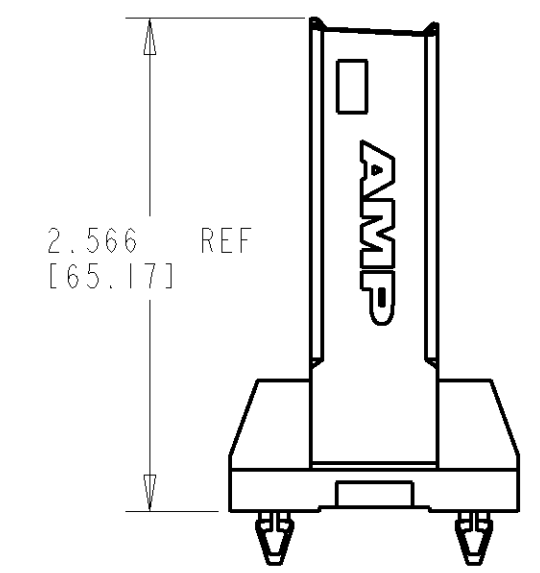
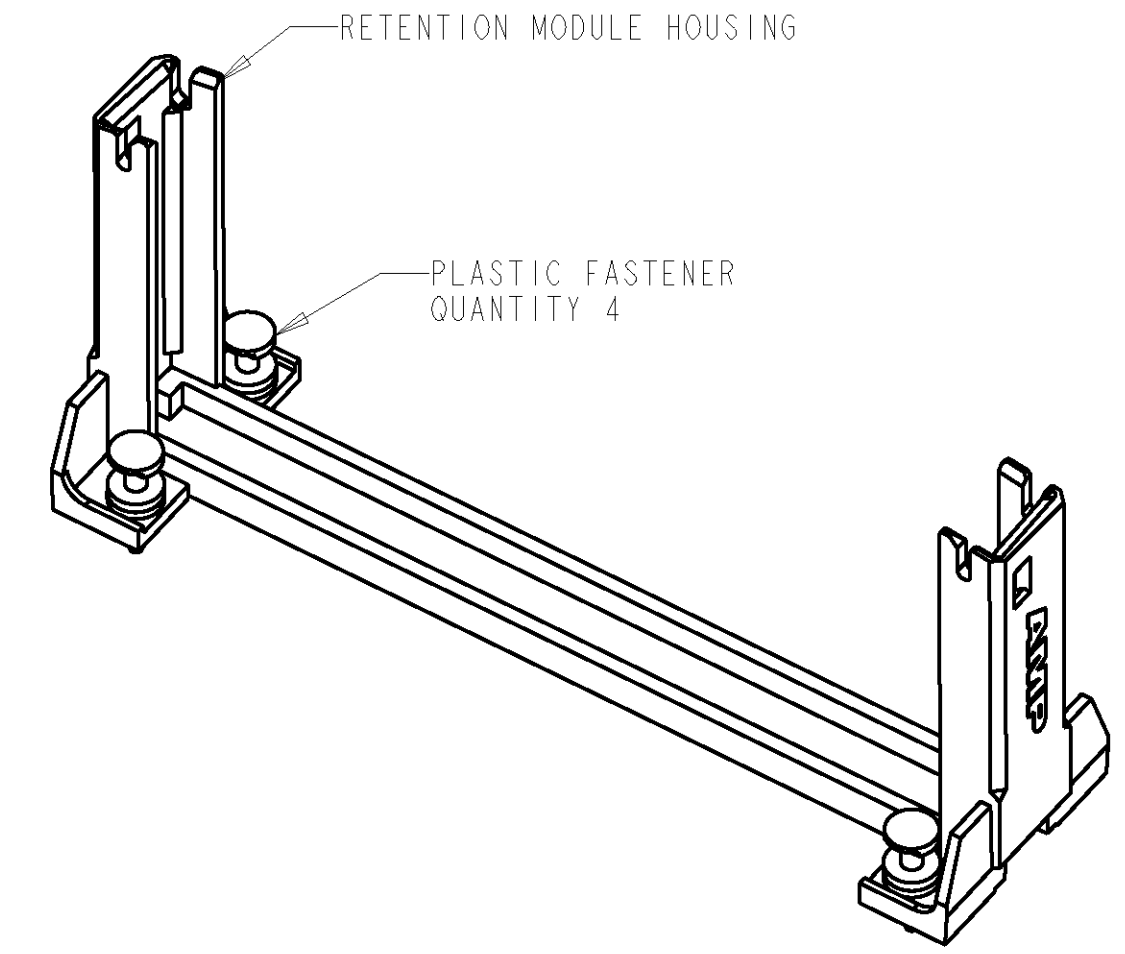
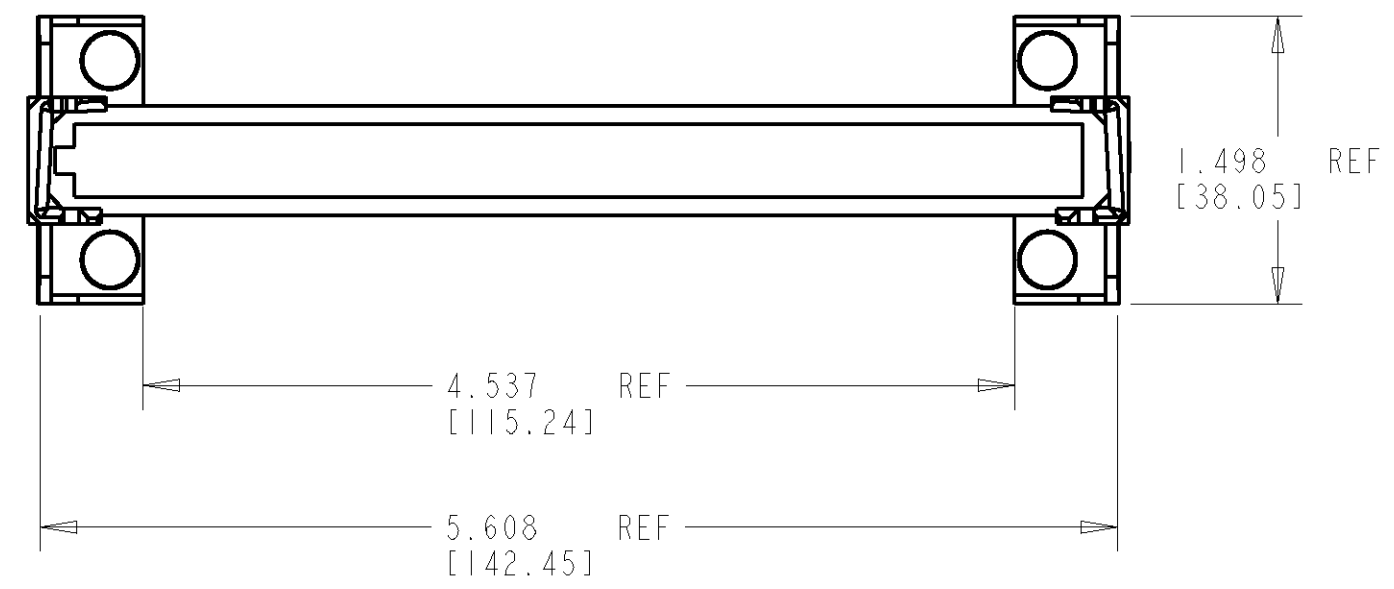
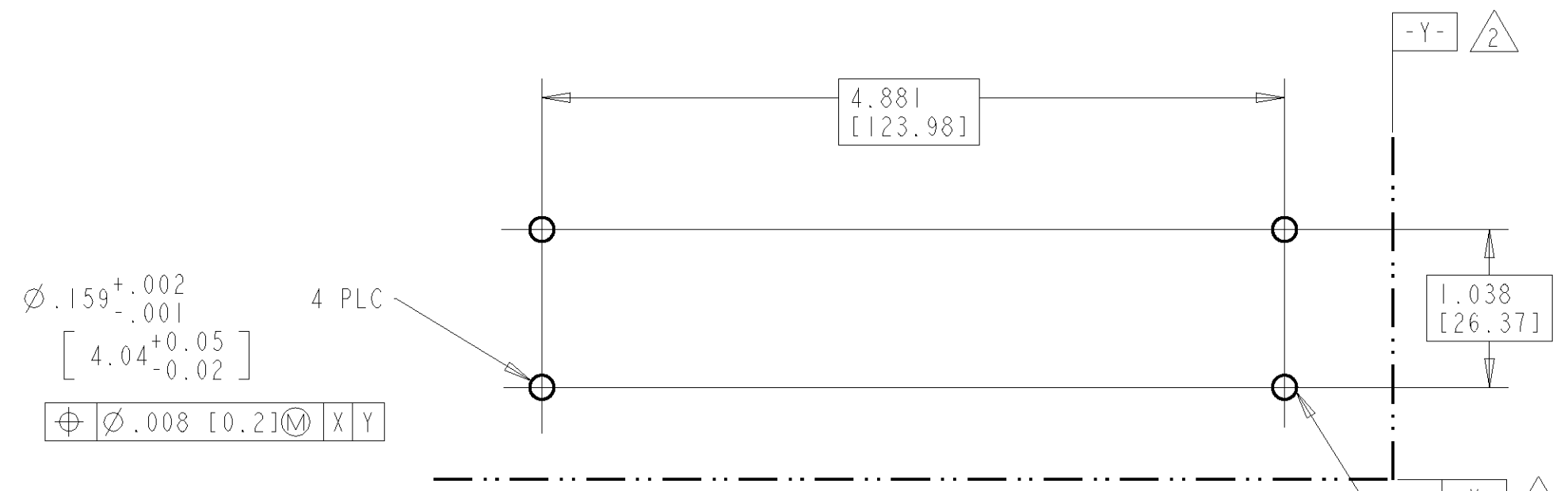


THIS DRAWING IS UNPUBLISHED. RELEASED FOR PUBLICATION .19  
 © COPYRIGHT 19 BY AMP INCORPORATED. ALL RIGHTS RESERVED.

LOC	DIST	REVISIONS					
		F	LTR	DESCRIPTION	DATE	DWN	APVD
AD	14		O	RELEASED	15MAY98	AV	VR
			A	REVISED PER EC 0G51-0117-98	31JUL98	AV	VR



- 1 HOUSING MATERIAL: UL 94VO RATED POLYCARBONATE, COLOR: BLACK. BOARDLOCK MATERIAL: NYLON.
- 2 DATUMS AND HOLE DIAMETER TO BE DETERMINED BY CUSTOMER.



RECOMMENDED PC BOARD LAYOUT  
 RECOMMENDED THICKNESS .062±.006 [1.57±.15]  
 SCALE 1:1

RETENTION MODULE W/ PLASTIC FASTENERS	145327-1
DESCRIPTION	PART NO.

THIS DRAWING IS A CONTROLLED DOCUMENT FOR AMP INCORPORATED. IT IS SUBJECT TO CHANGE AND THE CONTROLLING ENGINEERING ORGANIZATION SHOULD BE CONTACTED FOR THE LATEST REVISION.		DWN R BROWN 27FEB98	AMP Incorporated Harrisburg, PA 17105-3608	
DIMENSIONS: INCHES [mm]		CHK A VASBINDER 27FEB98	NAME INTEGRATED RETENTION MODULE W/ PLASTIC FASTENERS	
TOLERANCES UNLESS OTHERWISE SPECIFIED: 0 PLC ± 1 PLC ± 2 PLC ±.01 3 PLC ±.005 4 PLC ± ANGLES ±1 FINISH -		APVD V RUMINSKI 27FEB98	PRODUCT SPEC 108-1826	
MATERIAL 1		APPLICATION SPEC -	SIZE A2	RESTRICTED TO -
CUSTOMER DRAWING		WEIGHT -	CAGE CODE 00779	DRAWING NO. G-145327
SCALE		SHEET	OF	REV A