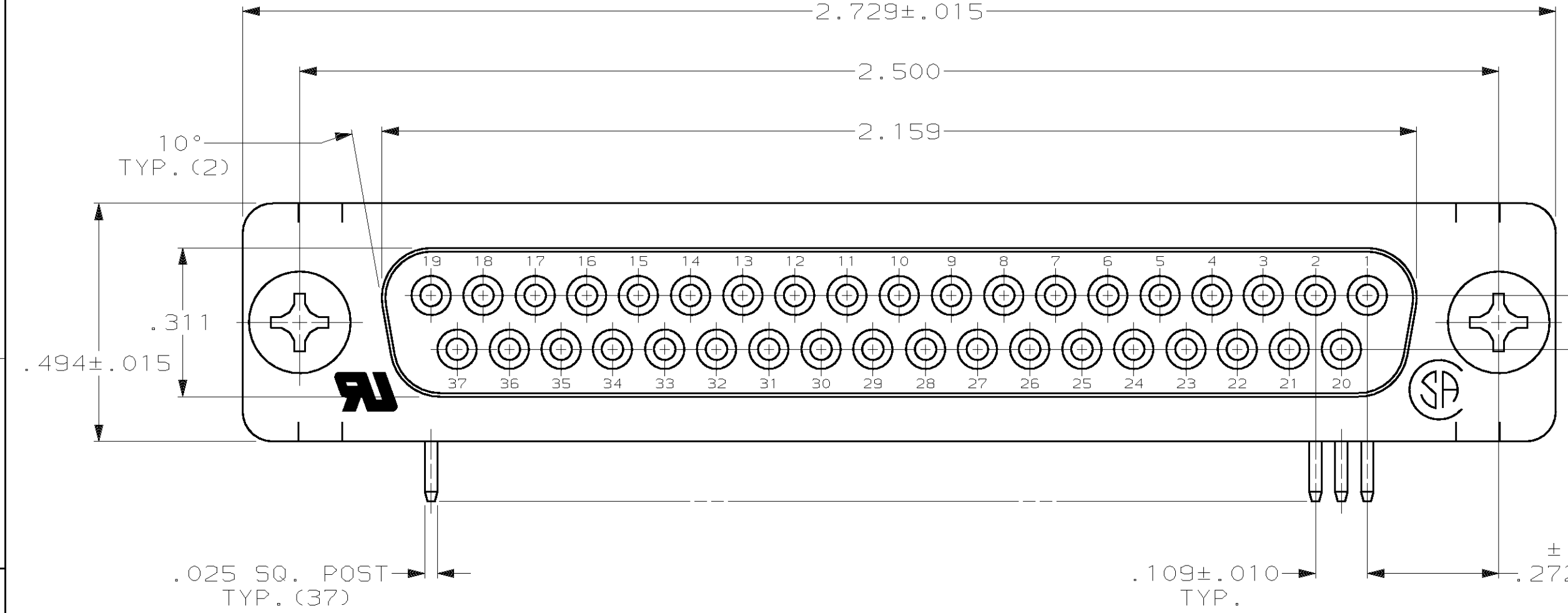
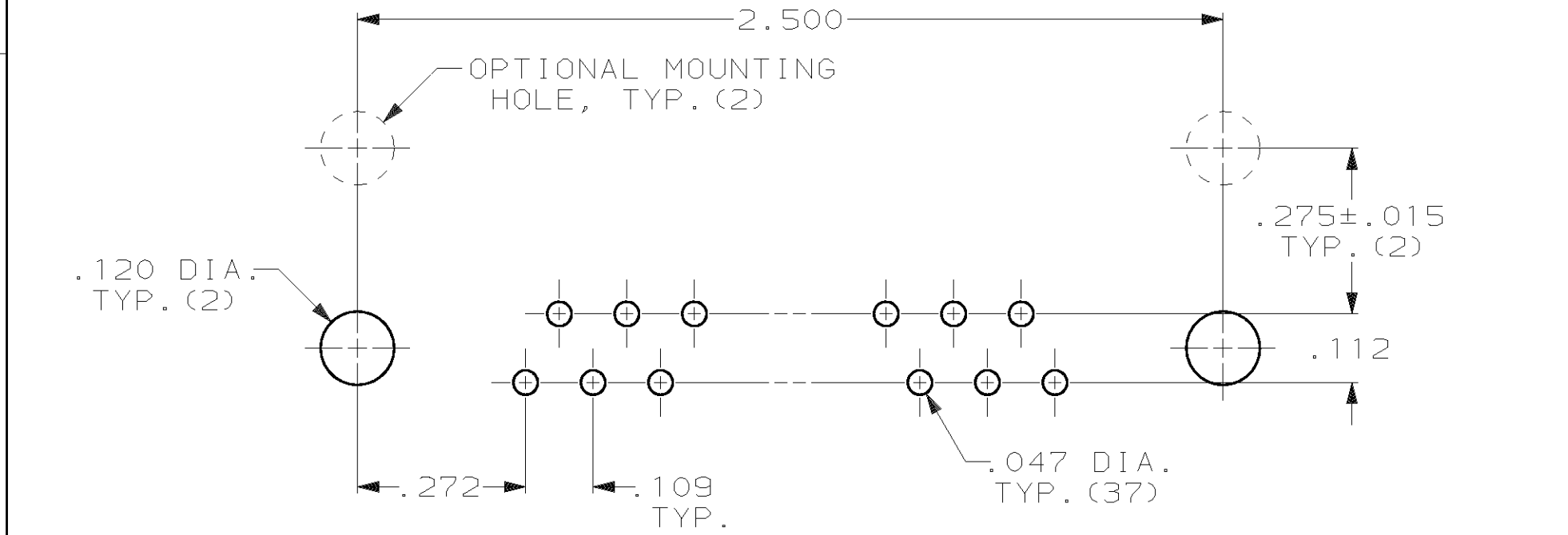
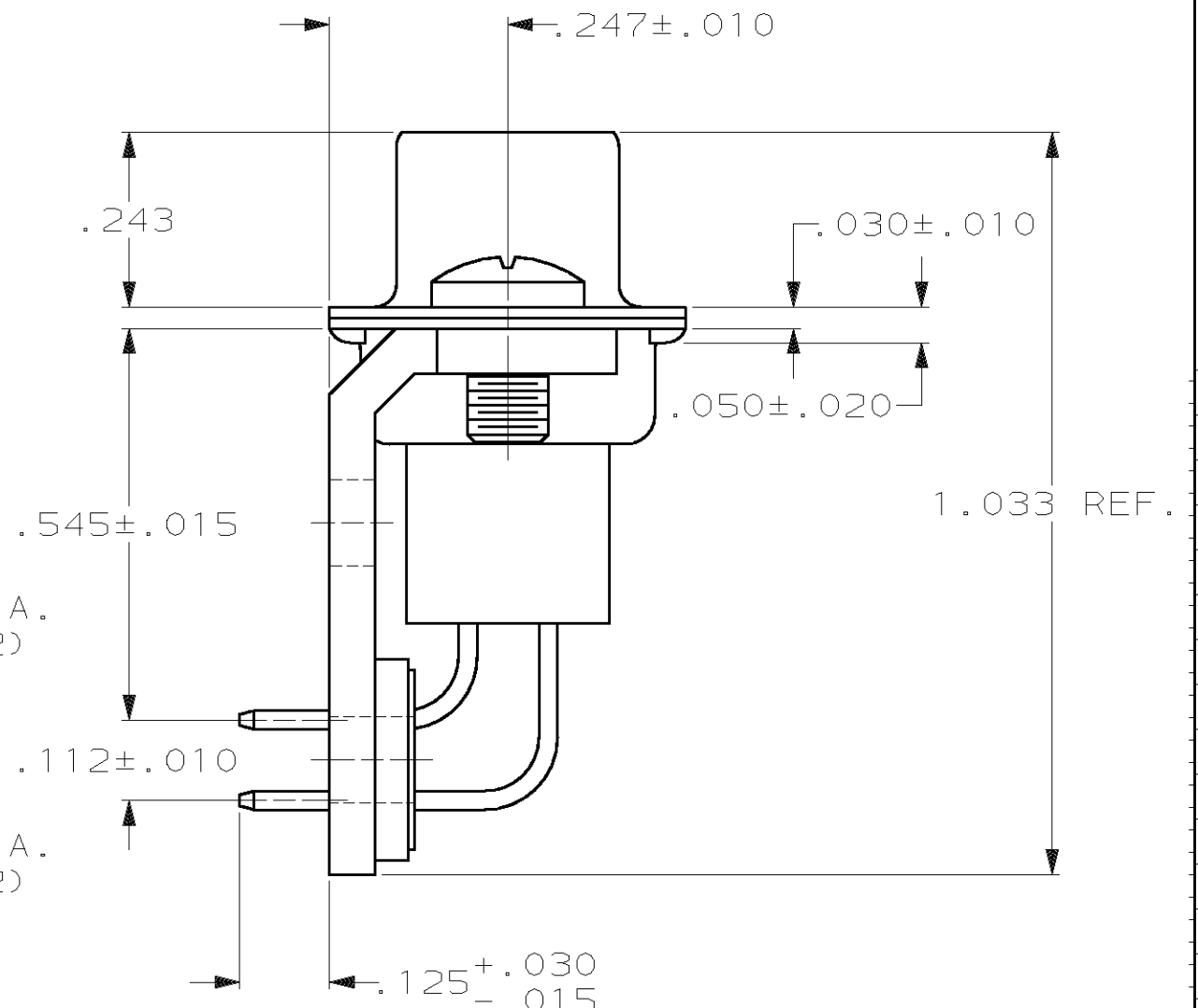
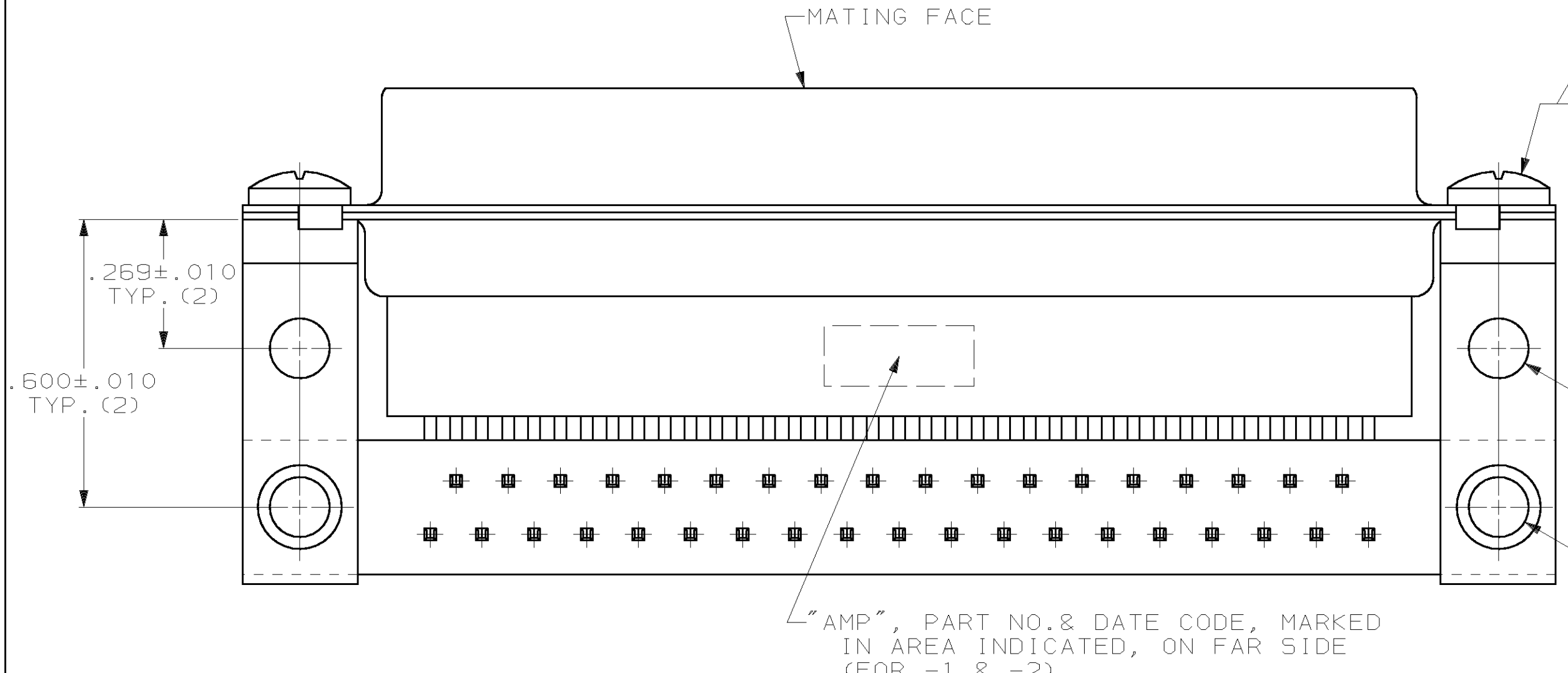


REVISIONS									
MOD	LOC	DIST	P	F	ZONE	LTR	DESCRIPTION	DATE	APPD
-	GP	00				G	REV PER EC OUE0-0002-01	09 JAN 02	JR



1. CONNECTOR MATES WITH ANY 37 POS. PLUG IN AMPLIMITE SERIES & COMPLIES WITH AMP SPEC. 108-40,005 WHERE APPLICABLE.
- △ 2 FLAME RETARDANT 94V-0 RATED THERMOPLASTIC; COLOR: BLACK.
- △ 3 STEEL PER ASTM A109.
- △ 4 PHOS. BRONZE PER QQ-B-750.
- △ 5 TIN PLATING PER MIL-T-10727, GOLD PLATING PER MIL-G-45204, NICKEL PLATING PER QQ-N-290.
- △ 6 TIN PLATED.
- △ 7 GOLD FLASH FOR A LENGTH OF .100 MINIMUM FROM MATING END, .000100 MINIMUM TIN-LEAD ON OPPOSITE END, BOTH OVER .000050 MINIMUM NICKEL.
- △ 8 .000030 MINIMUM GOLD FOR A LENGTH OF .100 MINIMUM FROM MATING END, .000100 MINIMUM TIN-LEAD ON OPPOSITE END, BOTH OVER .000050 MINIMUM NICKEL.
- △ 9 SCREWS ARE FOR -1 & -2.



CONTACT FINISH	PART NO
OBSOLETE	△ 8 745115-3
OBSOLETE	△ 8 745115-2
OBSOLETE	△ 7 745115-1

DO NOT SCALE PRINT. UNLESS SPECIFIED DIMENSIONS IN INCHES TOLERANCES ON : 2 PLC DEC ± - 3 PLC DEC ± .005 ANGLES ± 2°	DR 12-15-83 J. GERACE	AMP Incorporated Harrisburg, PA 17105-3608	
	CHK 12-15-83 J. GERACE		
MATERIAL MOLDED PARTS: △ SHELLS & BRACKETS: △ CONTACTS: △	APPD 3-15-84 P. SWEIGARD	NAME RECEPTACLE ASSEMBLY, SIZE 4, 37 POS., RIGHT ANGLE, .545 SERIES, .025 SQ. POSTS, AMPLIMITE™ HDP	
	APPD 3-15-84 J. ASSINI	PRODUCT SPEC	
FINISH △ SHELLS & BRACKETS: △ CONTACTS: SEE TABLE	APPLICATION SPEC	SIZE C	CAGE CODE 00779
	WEIGHT -	SCALE NTS	DRAWING NO C=745115
		SHEET 1 OF 1	

THIS DRAWING IS A CONTROLLED DOCUMENT FOR AMP INCORPORATED. IT IS SUBJECT TO CHANGE AND THE CONTROLLING ENGINEERING ORGANIZATION SHOULD BE CONTACTED FOR THE LATEST REVISION.