

SIGN	DATE	DESCRIPTION	APPROVER
△	12/02'08	Flange screw changed from "-" to "+/-"	Tony
△	09/05/25	wire strip length changed from 6-7mm to 8-9mm	Eris
△	09/05/25	Withstanding Voltage changed from 1.3KV to 1.6KV	Eris
△	09/05/25	Add Safety Approval	Eris

THIS IS CAD DRAWING, DO NOT REVISE MANUALLY!!!

Material:

- Item ① Terminal lever: Thermoplastic (UL94V-0)
- Item ② Terminal up housing: Thermoplastic (UL94V-0)
- Item ③ Wire guard: Stainless steel
- Item ④ Contact pin: PhBz (CuSn) , Tin plated.
- Item ⑤ With flange screw: M2.5 Steel Zinc plated.
- Item ⑥ Terminal down housing: Thermoplastic (UL94V-0)

Electrical:

- cULus
- Voltage rating: 300 V
- Current rating: 8 A
- Wire range:
- Solid wire(AWG): 16-28
- Stranded wire(AWG): 16-28
- △ ● Wire strip length: 8-9 mm
- △ ● Withstanding Voltage: 1.6 KV
- Operating temperature: -40°C to +115°C

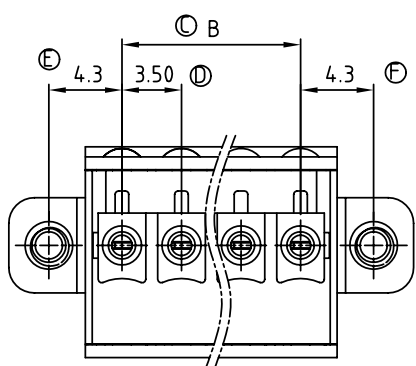
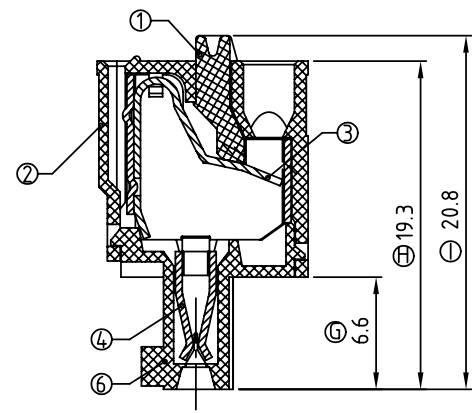
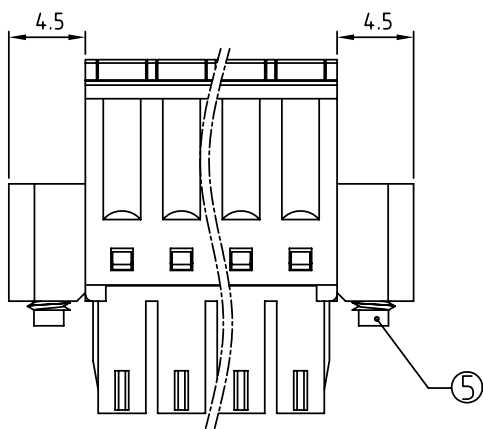
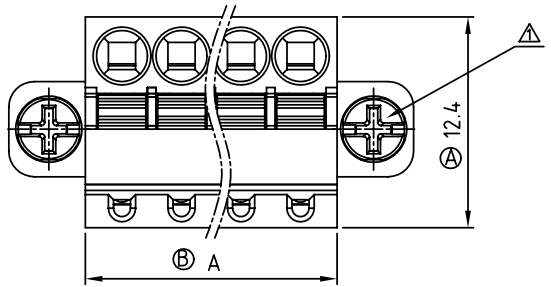
△ ● Safety Approval:

HW xx 1 0 x 2 xxxx G

No. OF POLES
02: 2 POLES
:
06: 6 POLES

COLOR
0: BLACK
5: GREEN (RAL 6018/T)
6: BLUE
8: GREY (RAL 7004/P)

G: Pb<40000ppm
0000: "@ " Logo (Standard)
000A: "ANYTEK" Mark
Any special item by customer request. please contact sales department.




POLE	2	3	4	5	6
A	7.80	11.30	14.80	18.30	21.80
B	3.50	7.00	10.50	14.00	17.50
Tol.	±0.10				

ANYTEK				CUSTOMER COPY					
								ALL RIGHTS RESERVED. REPRODUCTION OR ISSUE TO THIRD PARTIES IN ANY FORM WHATSOEVER IS NOT PERMITTED WITHOUT WRITTEN AUTHORITY FROM THE PROPRIETOR. PROPERTY OF ANYTEK TECHNOLOGY CO., LTD	
TITLE		HW 3.5mm W/Flange Series (2P-6P)							
PART NO.		HWxx10x2xxxxG			DWG NO.		8HW0403		
APPROVED		CHECKED		DESIGNED		DRAWN		CUST NO.	
				Kind 2010.01.07		Eris 2009.05.25		Tolerance	
								X. ±0.50	
								X.X ±0.30	
								X.XX ±0.10	
								X° ±1°	
						SHEET: 01/01		REV.: D	

SIGN	DATE	DESCRIPTION	APPROVER
△	12/02'08	Flange screw changed from "-" to "+/-"	Tony
△	09/05/25	wire strip length changed from 6-7mm to 8-9mm	Eris
△	09/05/25	Withstanding Voltage changed from 1.3KV to 1.6KV	Eris
△	09/05/25	Add Safety Approval	Eris

THIS IS CAD DRAWING, DO NOT REVISE MANUALLY!!!

Material:

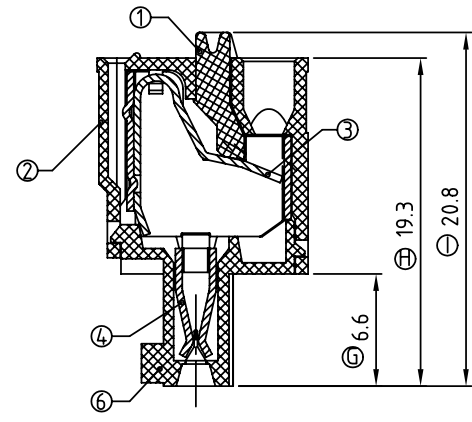
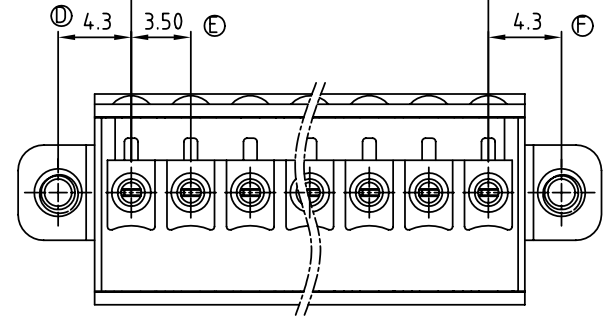
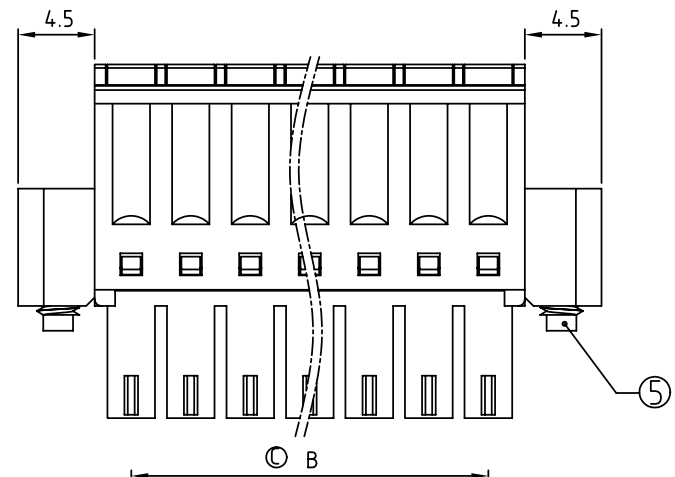
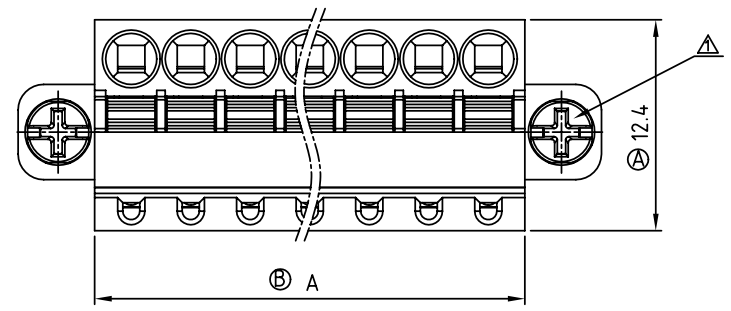
- Item ① Terminal lever: Thermoplastic (UL94V-0)
 - Item ② Terminal up housing: Thermoplastic (UL94V-0)
 - Item ③ Wire guard: Stainless steel
 - Item ④ Contact pin: PhBz.(CuSn) , Tin plated.
 - Item ⑤ With flange screw: M2.5 Steel Zinc plated.
 - Item ⑥ Terminal down housing: Thermoplastic (UL94V-0)
- Electrical:
- Voltage rating: cULus 300 V
 - Current rating: 8 A
 - Wire range:
 - Solid wire(AWG): 16-28
 - Stranded wire(AWG): 16-28
 - △ ● Wire strip length: 8-9 mm
 - △ ● Withstanding Voltage: 1.6 KV
 - Operating temperature: -40°C to +115°C
 - △ ● Safety Approval: 

HW xx 1 0 x 2 xxxx G

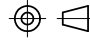
No. OF POLES
07: 7 POLES
:
:
24: 24 POLES

COLOR
0: BLACK
5: GREEN (RAL 6018/T)
6: BLUE
8: GREY (RAL 7004/P)

G: Pb<40000ppm
0000: "@ Logo (Standard)
000A: "ANYTEK" Mark
Any special item by customer request. please contact sales department.



POLE		2	3	4	5	6	7	8	9	10	11	12
A		/	/	/	/	/	25.30	28.80	32.30	35.80	39.30	42.80
B		/	/	/	/	/	21.00	24.50	28.00	31.50	35.00	38.50
Tol.		±0.15										
POLE	13	14	15	16	17	18	19	20	21	22	23	24
A	46.30	49.80	53.30	56.80	60.30	63.80	67.30	70.80	74.30	77.80	81.30	84.80
B	42.00	45.50	49.00	52.50	56.00	59.50	63.00	66.50	70.00	73.50	77.00	80.50
Tol.	±0.20						±0.30					

ANYTEK				CUSTOMER COPY			
ALL RIGHTS RESERVED. REPRODUCTION OR ISSUE TO THIRD PARTIES IN ANY FORM WHATSOEVER IS NOT PERMITTED WITHOUT WRITTEN AUTHORITY FROM THE PROPRIETOR. PROPERTY OF ANYTEK TECHNOLOGY CO., LTD							
TITLE		HW 3.5mm W/Flange Series (7P-24P)					
PART NO.		HWxx10x2xxxxG			DWG NO.		8HW0401
APPROVED		CHECKED	DESIGNED	DRAWN	CUST NO.		Tolerance
			Kind	Eris			X. ±0.50
			2010.01.07	2009.05.25			X.X ±0.30
					UNIT: mm		X.XX ±0.10
				SHEET: 01/01		SCALE: NONE	X° ±1°
						REV.: D	