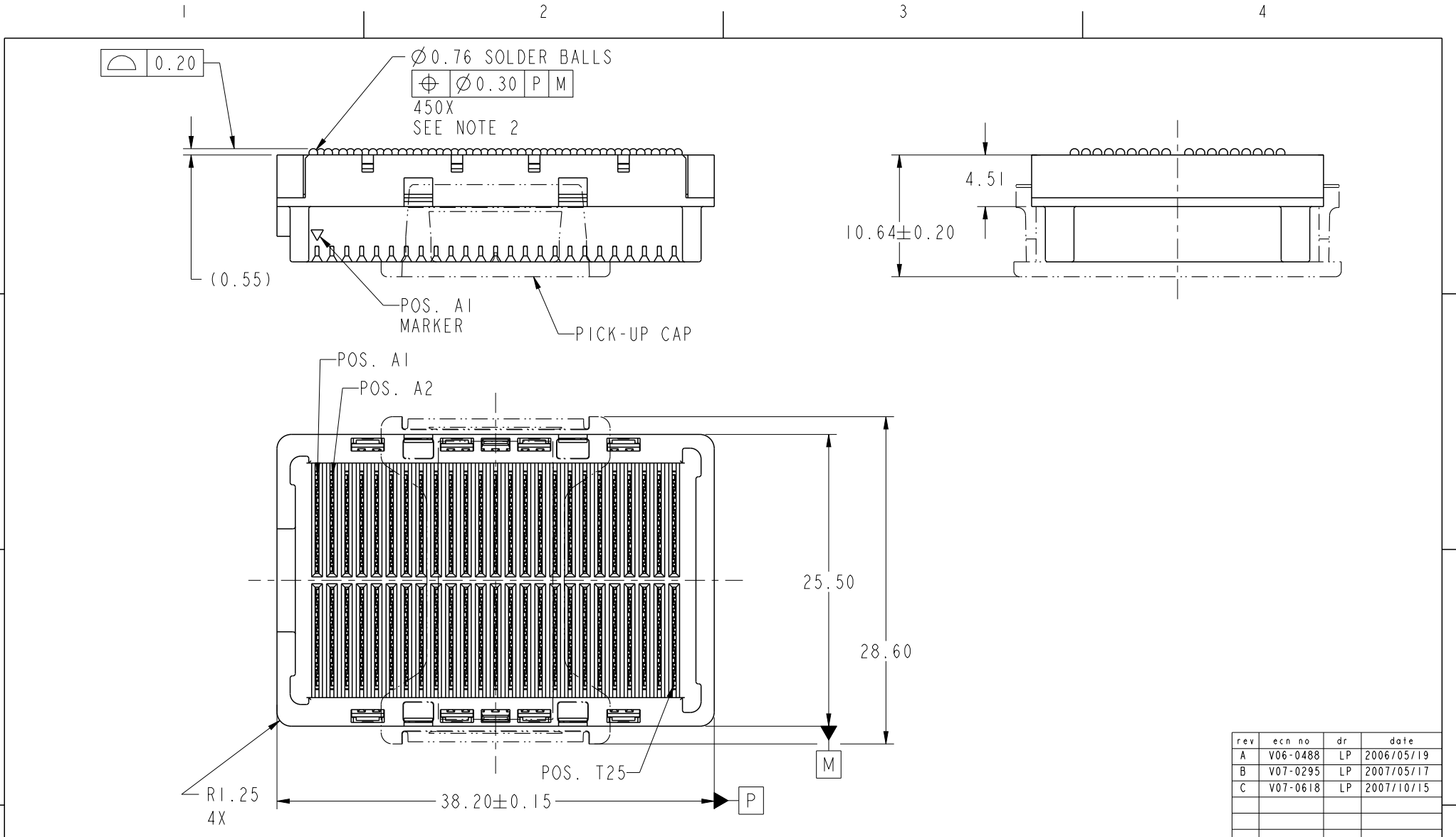




Copyright FCI.



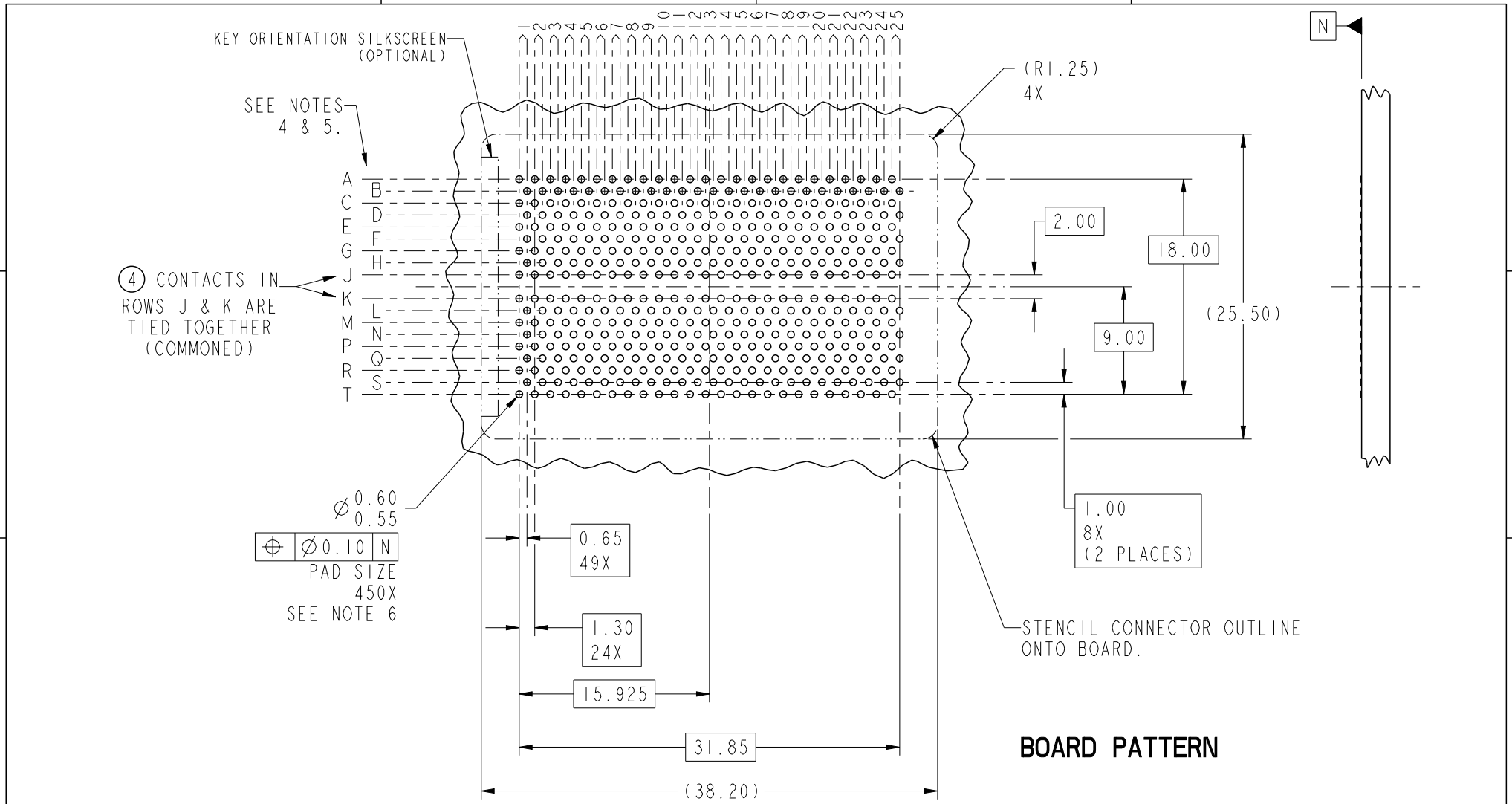
rev	ecn no	dr	date
A	V06-0488	LP	2006/05/19
B	V07-0295	LP	2007/05/17
C	V07-0618	LP	2007/10/15

spec ref	-	dr	Bill Lin	2010/02/02	projection		mm	size	A4	scale	21:10
tolerance std	ASME Y14.5	eng	Nickor Zuo	2011/06/21			ecn no	ELX-DG-003943-1			
TOLERANCES UNLESS OTHERWISE SPECIFIED		chr	Alex Cao	2011/06/24				product family	GIG-Array		rel level
surface	✓	appr	Pei-Ming Zheng	2011/06/27	product family		GIG-Array		rel level	Released	
linear	0.X	±0.30		title	GIG-Array - 5mm RECEPTACLE			dwg no	10069344		rev
linear	0.XX	±0.10									
linear	0.XXX	±0.05									
angular	0°	±2°	www.fci.com	cat. no.	Product - Customer Drw			sheet 1 of 5			

ProE File - REV C - 2009-06-09



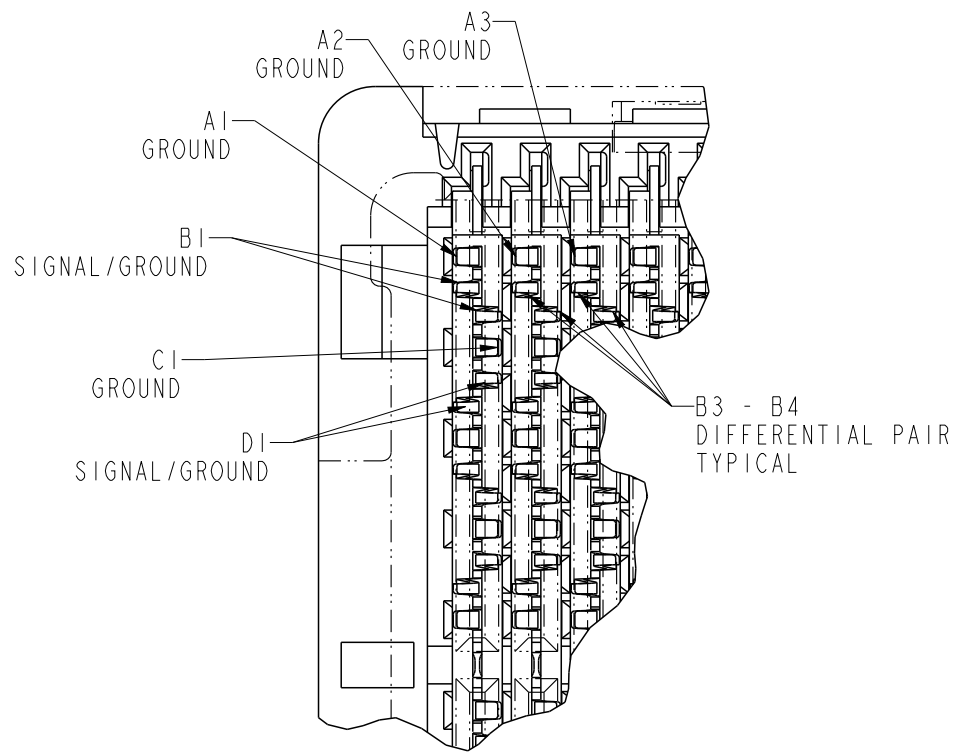
Copyright FCI.



**BOARD PATTERN**

spec ref		-		dr	Bill Lin	2010/02/02	projection 	mm 	size	A4	scale	21:10
tolerance std		TOLERANCES UNLESS OTHERWISE SPECIFIED		eng	Nickor Zuo	2011/06/21			ecn no	ELX-DG-003943-1		
ASME Y14.5				chr	Alex Cao	2011/06/24			rel level	<b>Released</b>		
-				appr	Pei-Ming Zheng	2011/06/27	product family		GIG-Array			
surface		linear	0.X	±0.30		title		dwg no	10069344		rev	D
			0.XX	±0.10		GIG-Array - 5mm RECEPTACLE						
			0.XXX	±0.05		ASSY. 200 SIG. POS.						
-		angular	0°	±2°	www.fci.com	cat. no.	Product - Customer Drw		sheet 2 of 5			

ProjE File - REV C - 2009-06-09



**RECEPTACLE INTERFACE DESCRIPTION**

SCALE 6:1

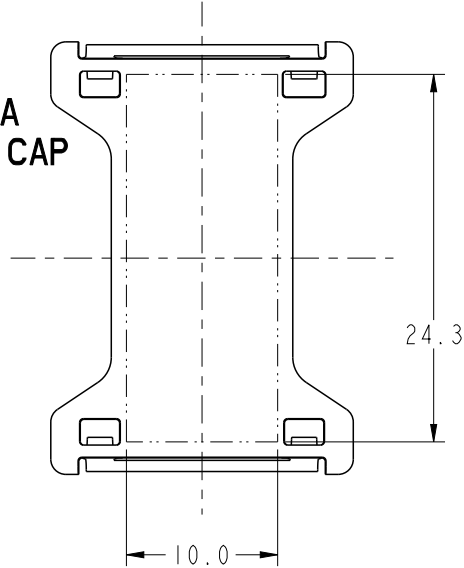


Copyright FCI.

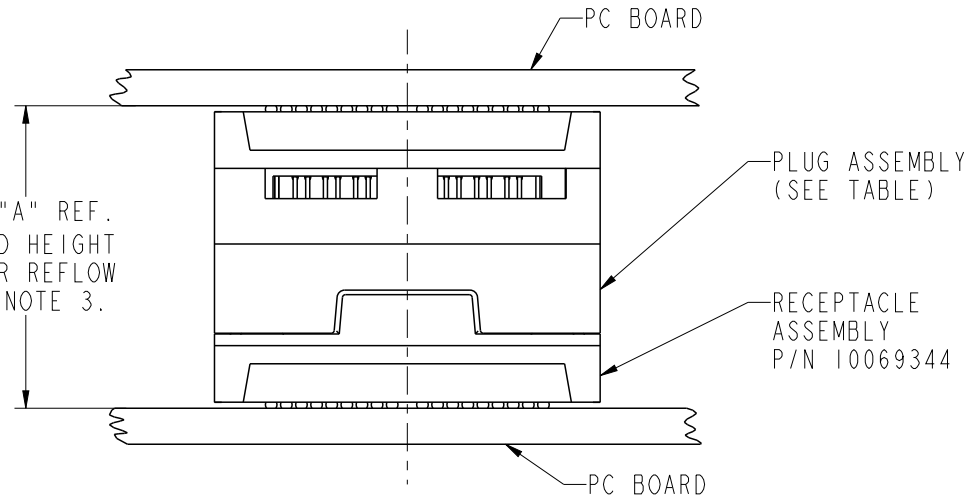
spec ref		-		dr	Bill Lin	2010/02/02	projection 	mm 	size	A4	scale	21:10	
tolerance std	ASME Y14.5	TOLERANCES UNLESS OTHERWISE SPECIFIED		eng	Nickor Zuo	2011/06/21			ecn no	ELX-DG-003943-1			
				chr	Alex Cao	2011/06/24				rel level	Released		
surface	✓	linear	0.X	±0.30	 title GIG-Array - 5mm RECEPTACLE ASSY. 200 SIG. POS. www.fci.com	cat. no.	product family	GIG-Array			dwg no	10069344	rev
		0.XX	±0.10	Product - Customer Drw				sheet 3 of 5					
		0.XXX	±0.05										
		angular	0°	±2°									

PrdE File - REV C - 2009-06-09

**FLAT AREA  
FOR PICK-UP CAP**  
SCALE 2:1



DIM "A" REF.  
MATED HEIGHT  
AFTER REFLOW  
SEE NOTE 3.



**END VIEW OF MATED CONNECTORS**  
SCALE 2:1

DIM. "A"	PLUG ASSEMBLY P/N
15	55737
17	10026802
18	10055142
20	55738
25	55739
30	10054783



Copyright FCI.

spec ref		-		dr	Bill Lin	2010/02/02	projection 	mm 	size	A4	scale	1:10			
tolerance std	ASME Y14.5	TOLERANCES UNLESS OTHERWISE SPECIFIED		eng	Nickor Zuo	2011/06/21			ecn no	ELX-DG-003943-1					
		chr	Alex Cao	2011/06/24	product family	GIG-Array				rel level	Released				
surface	✓	linear	0.X	±0.30		title	GIG-Array - 5mm RECEPTACLE	dwg no	10069344	rev	D				
			0.XX	±0.10								www.fci.com	cat. no.	Product - Customer Drw	sheet 4 of 5
			0.XXX	±0.05											
		angular	0°	±2°											

PRODUCT NUMBER	SOLDER BALL COMPOSITION	CONTACT PLATING PERFORMANCE LEVEL
10069344-001	STANDARD (EUTECTIC)	PERFORMANCE-BASED PLATING, QUALIFIED TO MEET THE REQUIREMENTS OF FCI PRODUCT SPECIFICATION GS-12-192, INCLUDING TELCORDIA CENTRAL OFFICE  Au over Ni
10069344-001LF	LEADFREE	
10069344-201	STANDARD (EUTECTIC)	
10069344-201LF	LEADFREE	

NOTES:

① MATERIAL:

HOUSING: LCP  
 CONTACT: COPPER ALLOY  
 PLATING (CONTACT): Au OVER Ni.  
 UL RATING: 94 V-0  
 SOLDERBALL: (SEE TABLE) EUTECTIC  
 SnPb OR LEAD FREE 95.5 Sn/4Ag/0.5Cu.

⑥. SPECIFIED POSITIONAL TOLERANCE DEFINES PAD TO PAD LOCATION WITHIN LAND PATTERN. POSITIONAL TOLERANCE OF LAND PATTERN TO FUDICIAL MARKS OR PCB DATUMS SHALL BE DEFINED BY CUSTOMER. FOR RECOMMENDED PRODUCT APPLICATION AND PCB DESIGN DETAILS, SEE DOC. NO. GS-20-016.

② SOLDER BALLS WILL NOT BE PERFECT SHPERICAL SHAPE DUE TO REFLOW ATTACHMENT.

⑦. FOR PROPER APPLICATION FOLLOW FCI APPLICATION SPECIFICATION GS-20-033. LEAD FREE SOLDER BALLS WILL NOT SOLDER PROPERLY IN A LEADED SOLDER PROCESS DUE TO A HIGHER REFLOW TEMPERATURE. LEADFREE PRODUCT IS THEREFORE NOT BACKWARDS COMPATIBLE WITH LEADED OR SOME SOLDERING APPLICATIONS. REFERENCE FCI APPLICATION SPECIFICATION.

③ MATED HEIGHT EFFECTED BY CUSTOMERS' PCB PAD SIZE, PLATING, SOLDER REFLOW PROFILE & SOLDER PASTE.

⑧. THIS PRODUCT MEETS THE EUROPEAN UNION DIRECTIVES AND OTHER COUNTRY REGULATIONS AS DESCRIBED IN GS-22-008. PRODUCT MEETING THIS DIRECTIVE IS IDENTIFIED IN THE CODE NUMBER MARKED ON EACH PART BY HAVING AN "X" IN THE SEVENTH CHARACTER POSTION.

④ CONTACTS IN ROWS A,C,E,G,J,K,M,P,R AND T ARE SINGLE BEAM CONTACTS USED AS GROUND PINS.  
 (NOTE: CONTACTS IN ROWS J & K ARE TIED TOGETHER [COMMONED])

⑤ CONTACTS IN ROWS B,D,F,H,L,N,Q AND S ARE DUAL BEAM CONTACTS, TYPICALLY USED AS SIGNAL PINS.

spec ref	-	dr	Bill Lin	2010/02/02	projection 	mm 	size	A4	scale	21:10	
tolerance std	TOLERANCES UNLESS OTHERWISE SPECIFIED	eng	Nickor Zuo	2011/06/21			ecn no	ELX-DG-003943-1			
ASME Y14.5		chr	Alex Cao	2011/06/24				rel level	Released		
-		appr	Pei-Ming Zheng	2011/06/27	product family	GIG-Array					
surface	✓ linear	0.X	±0.30		title	GIG-Array - 5mm RECEPTACLE		dwg no	10069344		rev
-		0.XX	±0.10								
-		0.XXX	±0.05								
-	angular	0°	±2°	www.fci.com	cat. no.	Product - Customer Drw		sheet 5 of 5			