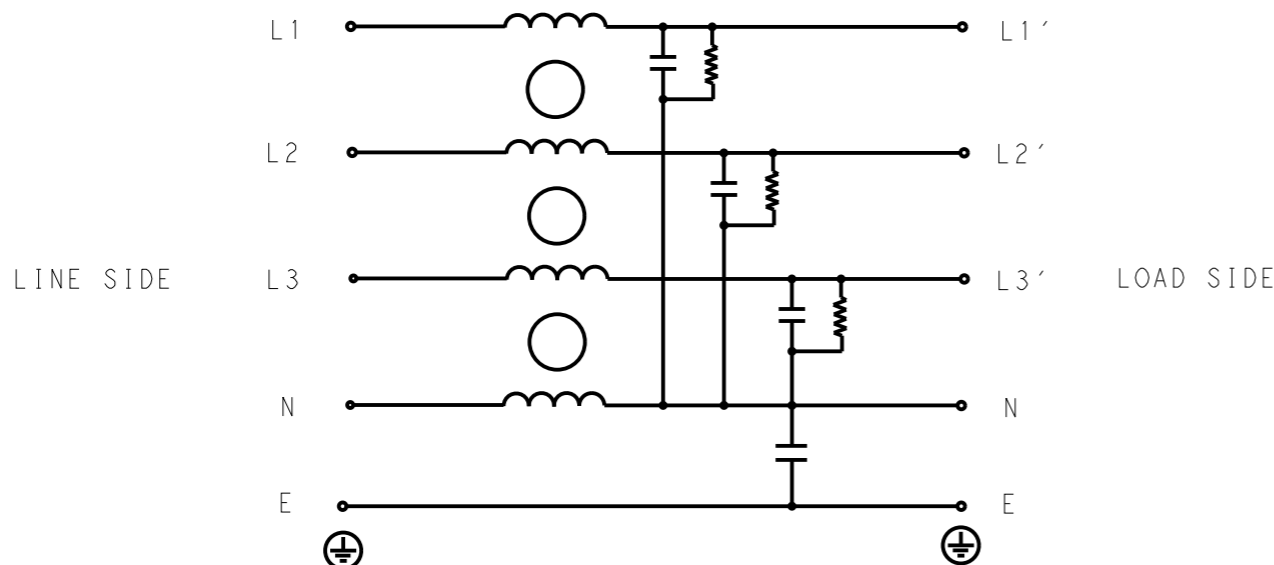


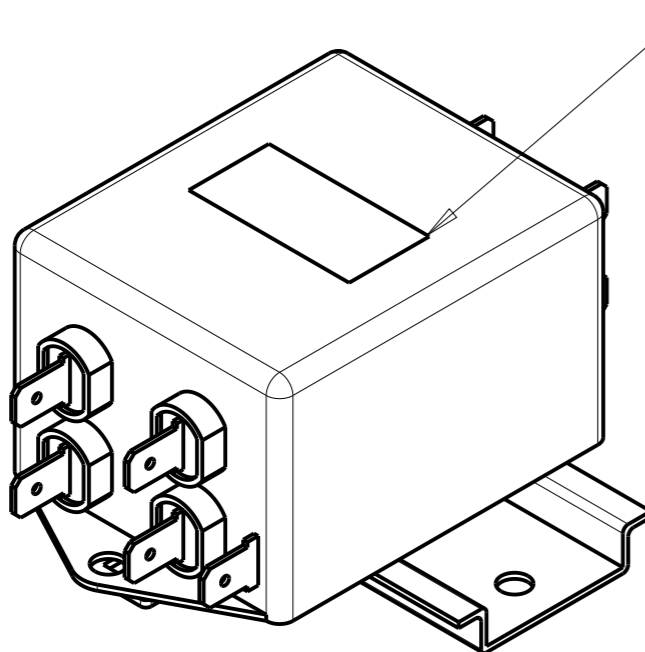
P	LTR	DESCRIPTION	DATE	DWN	APVD
	A	INITIAL RELEASE	05APR2021	SR	CB



SCHEMATIC

TYPICAL INSERTION LOSS
COMMON MODE 50/50Ω; DIFFERENTIAL MODE 50/50Ω

MHz	0.01	0.05	0.15	0.5	1	3	5	10	30
CM	3	3	4	11	22	40	35	36	43
DM	3	4	6	19	27	30	36	38	49



LABEL TO TE MARKING SPECIFICATION

SAFETY ORGANIZATIONS

THIS FILTER WILL BE FORMALLY RECOGNIZED, CERTIFIED OR APPROVED BY THE LISTED AGENCY. THEREFORE, ALL TEST/REQUIREMENTS SPECIFIED IN THE LATEST REVISION OF THE FOLLOWING AGENCY STANDARDS WILL BE MET:

UL APPROVED 1A 440V 50Hz/60Hz 40°C
CSA APPROVED 1A 440V 50Hz/60Hz 40°C

OPERATING SPECIFICATION

LINE CURRENT/VOLTAGE: 1A, 440VAC
LINE FREQUENCY: 50/60Hz

MAXIMUM LEAKAGE CURRENT: 3mA @ 230VAC, 50Hz

OPERATING AMBIENT TEMPERATURE RANGE @ RATED CURRENT: -25°C TO +40°C

IN AN AMBIENT, T_a, HIGHER THAN 40°C, THE MAXIMUM OPERATING CURRENT, I_o, IS AS FOLLOWS:

$$I_o = I_r \sqrt{\frac{85 - T_a}{45}}$$

RELIABILITY SPECIFICATIONS

STORAGE TEMPERATURE: -40°C TO +85°C
HUMIDITY: 21 DAYS @ 40°C AND 95% RH

TEST SPECIFICATIONS

INDUCTANCE, NOMINAL: 1mH

CAPACITANCE @ 1kHz

NEUTRAL TO GROUND, NOMINAL: 22nF
LINE TO NEUTRAL, NOMINAL: 100nF

DISCHARGE RESISTOR

L/G I.R. 2MΩ 1W
L/L I.R. 2MΩ 1W
L/N I.R. 1MΩ 1W
N/G I.R. 680KΩ 1W
IR (NO DISCHARGE RESISTOR) 20°C, 50% RH AND 100VDC, MIN: 6MΩ

RECOMMENDED RECEIVING INSPECITON HIPOI

LINE TO GROUND FOR 1 MINUTE: 2632VDC
LINE TO LINE FOR 1 MINUTE: 1892VDC
LINE TO NEUTRAL FOR 1 MINUTE: 1093VDC

FILTER APPROVAL

THE BEST WAY TO SELECT AND QUALIFY A FILTER IS FOR YOUR ENGINEERING TO TEST THE UNIT IN YOUR EQUIPMENT.

THIS DRAWING IS A CONTROLLED DOCUMENT.		DWN SUPREETH R 05APR2021		
		CHK CHRIS BOLLE 05APR2021		
		APVD CHRIS BOLLE 05APR2021	NAME POWER LINE FILTER FOR DIN RAIL 35 INSTALLATION 1KES1AFPWDM	
DIMENSIONS: mm		PRODUCT SPEC -	SIZE A300779 CAGE CODE C-3-1609966-0	
TOLERANCES UNLESS OTHERWISE SPECIFIED:		APPLICATION SPEC -	DRAWING NO C-3-1609966-0	
0 PLC ±-		WEIGHT -	RESTRICTED TO -	
1 PLC ±0.5		CUSTOMER DRAWING		
2 PLC ±0.40		SCALE 1:1 SHEET 1 OF 2 REV A		
3 PLC ±0.130				
4 PLC ±0.0500				
ANGLES ±-				
MATERIAL -				
FINISH -				

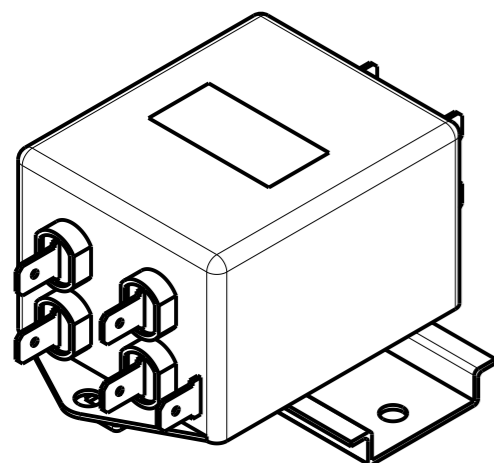
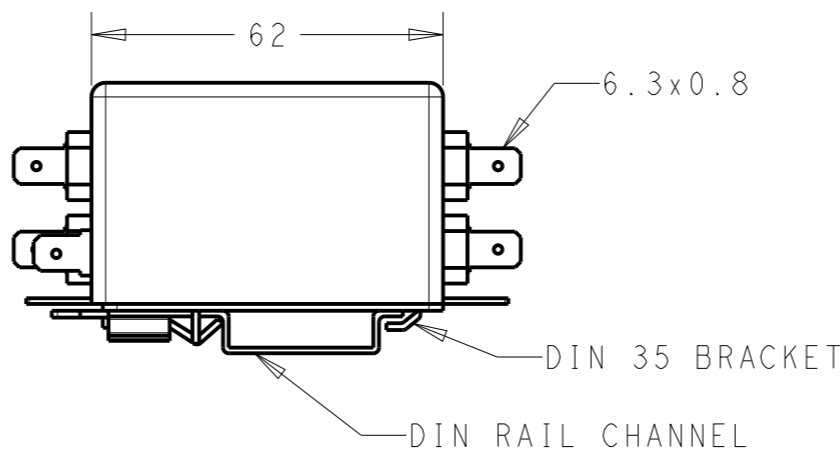
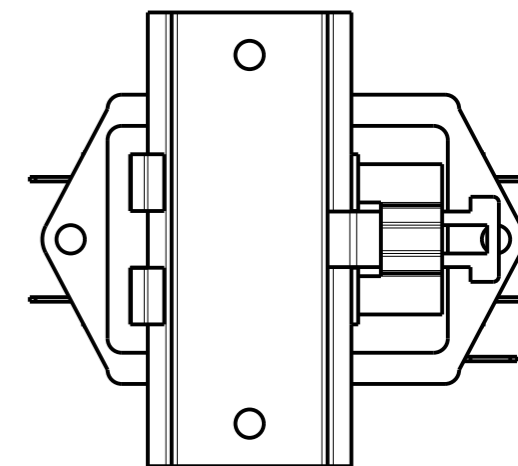
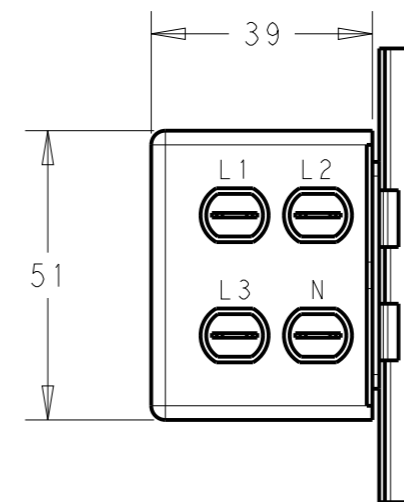
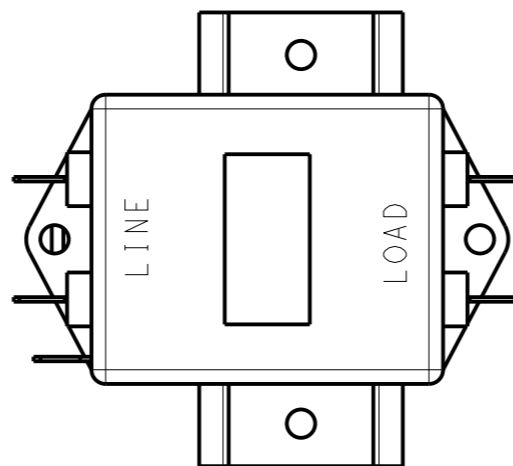
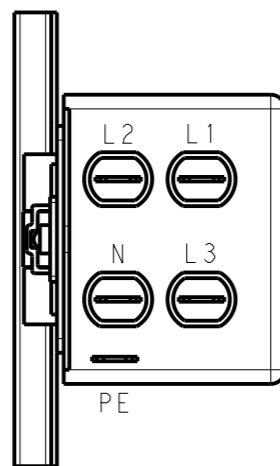
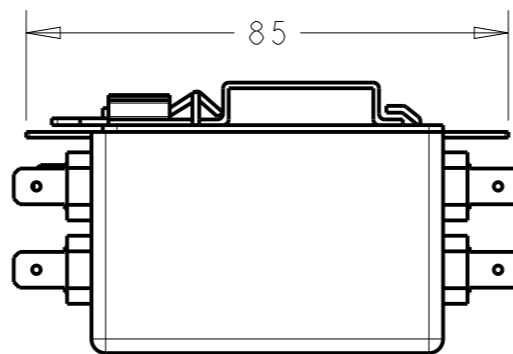
NOTE 1 GROUND CONNECTION:
FOR ELECTRICAL SAFETY AND FILTER PERFORMANCE
UNIT MUST HAVE A GOOD GROUND CONNECTION.

NOTE 2 INPUT OUTPUT CONNECTION TERMINAL
AWG SIZE: XXX

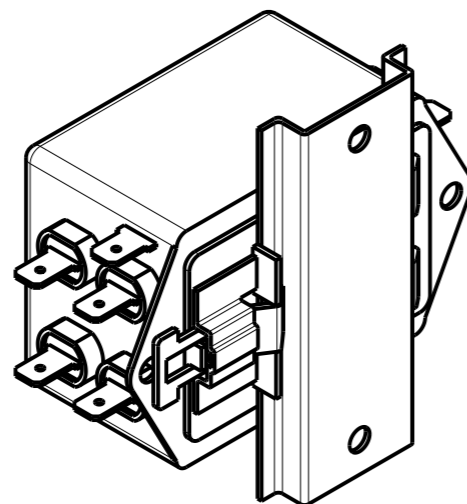
NOTE 3 SUPPLIED WITH DIN RAIL BRACKET.

NOTE 4 DRAWING SHOWS DIN RAIL FOR
REFERENCE ONLY.

REVISIONS					
P	LTR	DESCRIPTION	DATE	DWN	APVD
		SEE SHEET 1			



FRONT SIDE



REAR SIDE

THIS DRAWING IS A CONTROLLED DOCUMENT.		DWN SUPREETH R 05APR2021				
		CHK CHRIS BOLLE 05APR2021				
		APVD CHRIS BOLLE 05APR2021	NAME POWER LINE FILTER FOR DIN RAIL 35 INSTALLATION 1KES1AFPWDM			
DIMENSIONS: mm		PRODUCT SPEC -	SIZE A3	CAGE CODE 00779	DRAWING NO C-3-1609966-0	RESTRICTED TO -
TOLERANCES UNLESS OTHERWISE SPECIFIED: 0 PLC ±0.5 1 PLC ±0.40 2 PLC ±0.130 3 PLC ±0.0500 4 PLC ANGLES ±		APPLICATION SPEC -	SCALE 3:4		SHEET 2 OF 2	REV A
MATERIAL -		WEIGHT -	CUSTOMER DRAWING			