

4

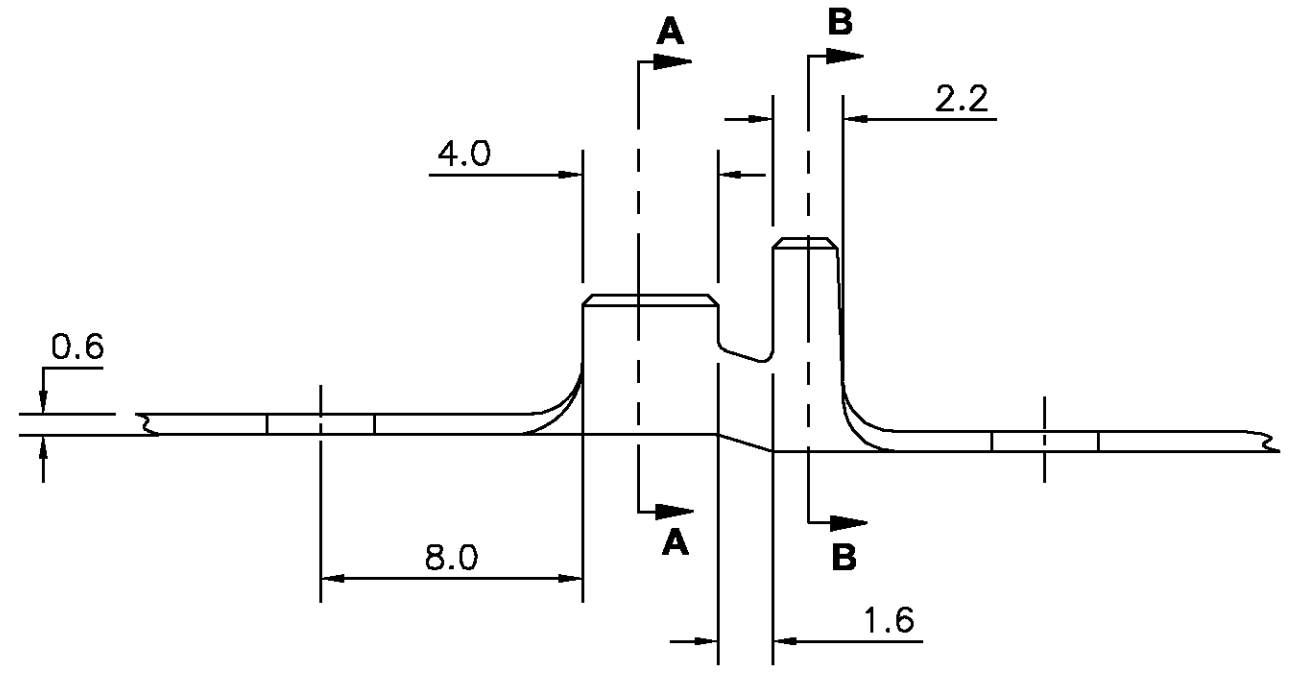
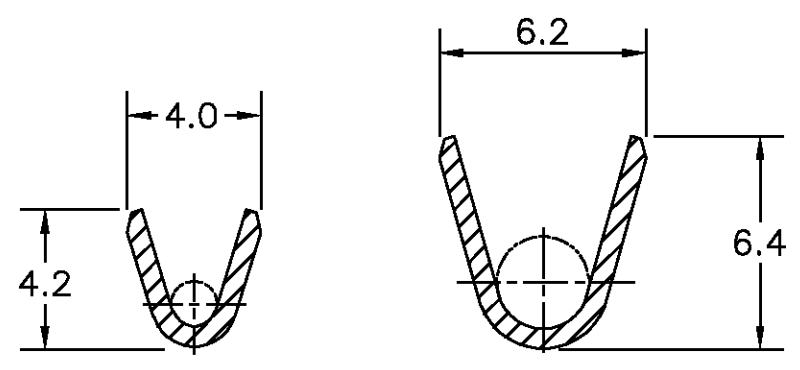
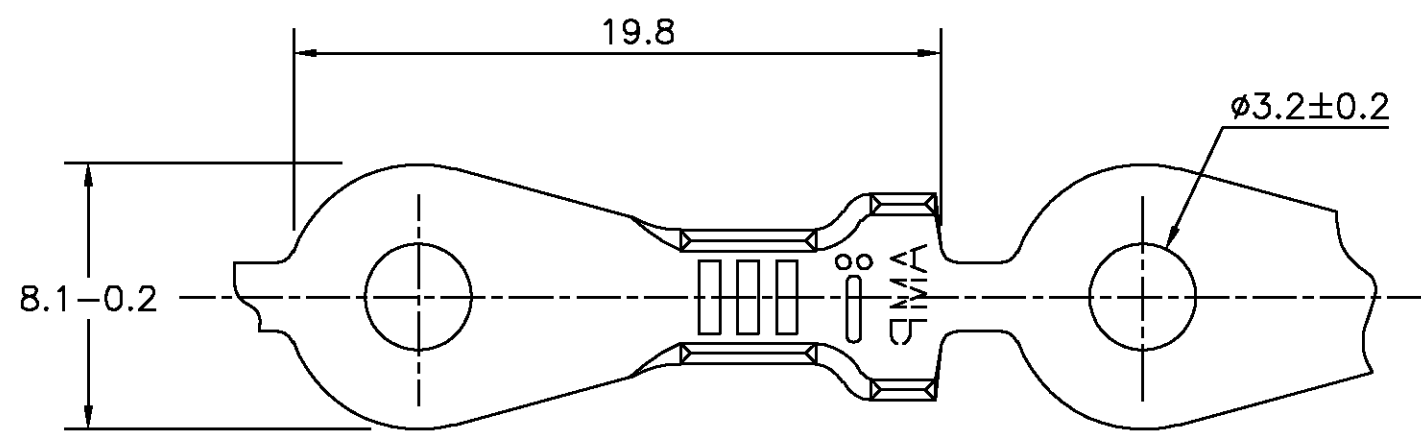
3

2

1

THIS DRAWING IS UNPUBLISHED. RELEASED FOR PUBLICATION  
 © COPYRIGHT BY TYCO ELECTRONICS CORPORATION. ALL INTERNATIONAL RIGHTS RESERVED.

LOC	DIST	REVISIONS			
P	LTR	DESCRIPTION	DATE	DWN	APVD
AP	-				
	B2	REVISED BY ECO-10-006013	31MAR2010	NCL	MBG



△-OBSOLETE PARTS: OBSOLETE CIS STREAMLINING PER D.RENAUD/D.SINISI

OBSOLETE <sup>1</sup>	---	ESTANHADO / TIN PLATED	BRONZE FOSF. / PHOSP. BR.	880623-4
	---	-----/-----	BRONZE FOSF. / PHOSP. BR.	880623-3
	---	ESTANHADO / TIN PLATED	LATÃO / BRASS	880623-2
	---	-----/-----	LATÃO / BRASS	880623-1
	RAW MAT'L No	Finish	Material	Part Number

THIS DRAWING IS A CONTROLLED DOCUMENT.		DWN NCLAPRESA 31MAR10	Tyco Electronics Corporation São Paulo, Brasil	
DIMENSIONS: mm		CHK MBGODOY 31MAR10	NAME RING TONGUE	
TOLERANCES UNLESS OTHERWISE SPECIFIED: mm		APVD MBGODOY 31MAR10	PRODUCT SPEC	
0 PLC ± -		APPLICATION SPEC		
1 PLC ± 0,3		SIZE A3		
2 PLC ± -		CAGE CODE 00779		
3 PLC ± -		DRAWING NO C-880623		
4 PLC ± -		RESTRICTED TO		
4 PL0mm ± -		WEIGHT		
ANGLES ± 1°		CUSTOMER DRAWING		
WIRE RANGE: >1,0 - 2,5 (mm <sup>2</sup> )		SCALE 5:1		
INSULATION RANGE: 2,7 - 4,0 φ mm		SHEET 1 of 1		
MATERIAL SEE TABLE		REV B2		
FINISH SEE TABLE				

CAD  
DO NOT REVISE EXCEPT BY CAD